

752CMP Brass Ball Valve • Spec Sheet

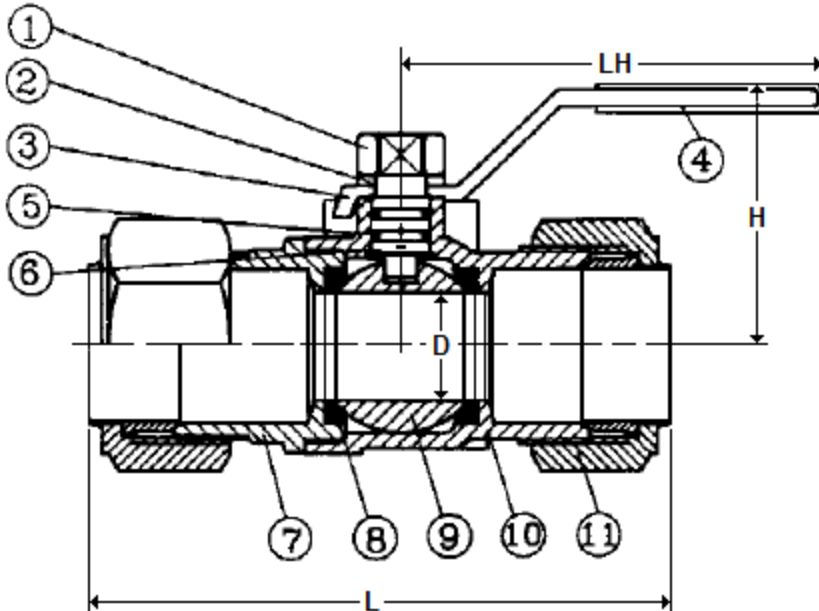


FEATURES & BENEFITS

- ISO-9002
- 400 WOG
- Standard Port
- Forged Brass
- Compression Ends
- Sizes 1/2" - 1"

DIMENSIONS

Size	Part #	L	H	D	LH
1/2"	752CMP3	3.05	1.42	.39	3.35
3/4"	752CMP4	3.66	1.58	.59	3.35
1"	752CMP5	4.22	2.09	.79	4.73



MATERIAL SPECIFICATIONS

No.	Part	Material
1	Nut	Steel
2	Spring Washer	Steel
3	Handle	Steel
4	Cover	PVC
5	O-Ring (2)	NBR
6	Stem	Brass
7	Body	Brass
8	Seat (2)	PTFE
9	Ball Disc	Brass
10	End Plug	Brass
11	Joint (2)	Brass

 **MATCO-NORCA**
 Global sourcing. National compliance. Local service.

CALIFORNIA 5593 Fresca Dr., La Palma CA 90623 • Toll Free: 866-532-8306 • Fax: 866-532-8307
TEXAS 1150 Silber Rd., Houston TX 77055 • Toll Free: 800-935-5456 • Fax: 713-680-2999
NEW YORK PO Box 27, Rt. 22, Brewster NY 10509 • Toll Free: 800-431-2082 • Fax: 845-278-9056
 WEB: www.matco-norca.com EMAIL: mail@matco-norca.com