

58LGAF Gas Ball Valve

Specification Sheet

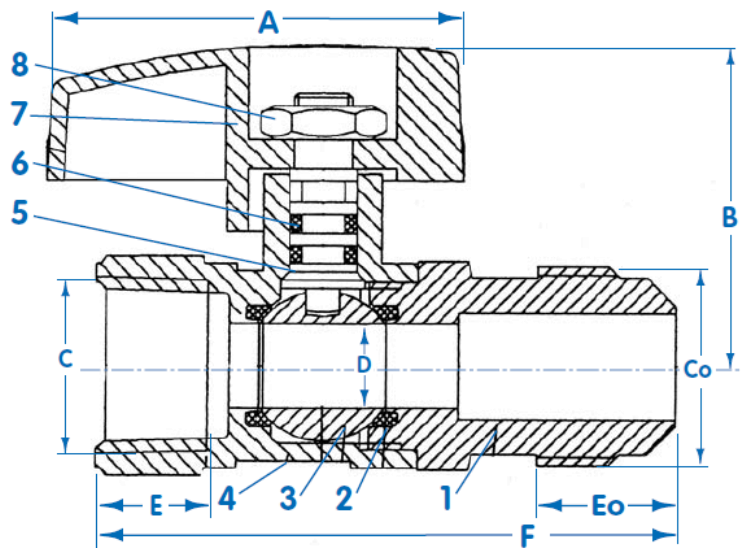
FEATURES & BENEFITS

- FIP x Flare
- Quarter Turn
- Two Piece
- 1/2 PSIG and 5 G
- Suitable for LP & Natural Gas
- CSA & UL Approved
- Temperature Range: -40° F to 125° F



MATERIAL SPECIFICATIONS

No.	Part	Material
1	Adapter	Forged Brass
2	Seat	Virgin PTFE
3	Ball	Chrome Plated Brass
4	Body	Forged Brass
5	Stem	Machined Brass
6	O-Ring	NBR
7	Handle	Aluminum Alloy
8	Handle Nut	Copper Plated Carbon Steel



DIMENSIONS

Model #	Size	A	B	C x Co	D	Ex Eo	F
58LGAF32	1/2" FIP x 3/8" Flare	1.97	1.50	1/2"- 14NPT, 5/8"- 18UNF	.39	14" x 12.7"	2.48
58LGAF33	1/2" FIP x 1/2" Flare	1.97	1.50	1/2"- 14NPT, 3/4"- 16UNF	.39	14" x 14.4"	2.71
58LGAF39	1/2" FIP x 9/16" - 24	1.97	1.50	1/2"- 14NPT, 9/16"- 24UNEF	.39	14" x 12.9"	2.48
58LGAF4	3/4" FIP x 15/16" - 24	1.97	1.61	3/4"- 14NPT, 15/16"- 16UNF	.55	15" x 17"	2.99

