

# 58 Log Lighter Gas Valve

## Specification Sheet

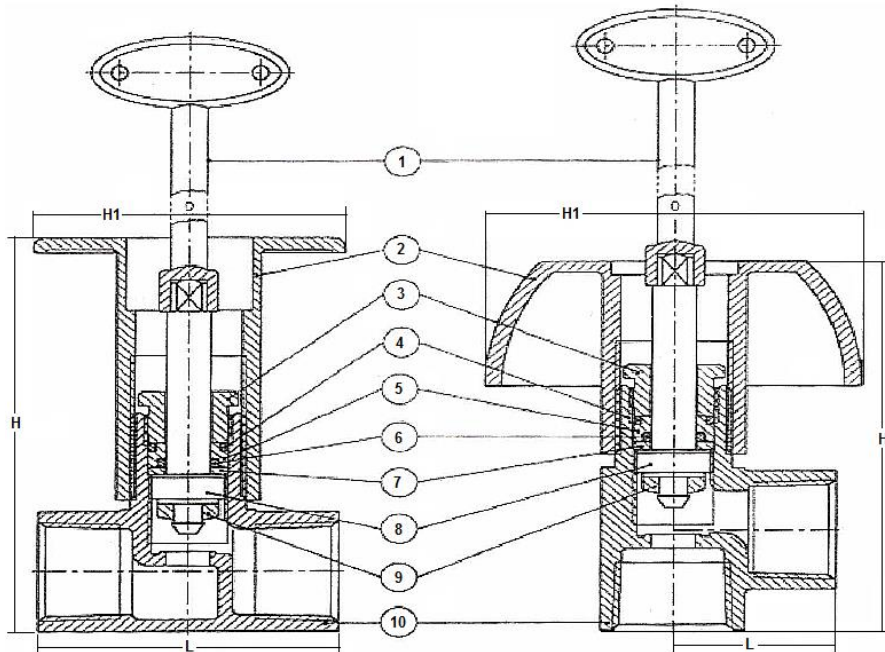
### FEATURES & BENEFITS

- Log Lighter Valve
- Complete Kit: Valve, Escutcheon, 3" Key
- CSA Approved
- ANSI Z21.15
- Chrome-Plated or Polished Brass
- FIP 1/2"
- Straight Chrome-Plated - **58-STR03**
- Straight Polished Brass- **58-STR03P**
- Angle Chrome-Plated - **58-ANG03**
- Angle Polished Brass- **58-ANG03P**



### MATERIAL SPECIFICATIONS

No.	Part	Material
1	T-Handle	Zinc (Z30 A)
2	Cover	Zinc (Z30 A)
3	Packing Nut	Brass (ASTM B16 C36000)
4	O-Ring	Rubber NBR (SAE No 1052)
5	O-Ring House	PTFE (M-392)
6	O-Ring	Rubber NBR (SAE No 1052)
7	Washer	Stainless Steel (304/306)
8	Stem	Brass (ASTM B16 C36000)
9	Seat Packing	PTFE (M-392)
10	Body	Brass (ASTM B584 C85710)



### DIMENSIONS

Size	Part #	L	H	H1
1/2"	58-STR03(P)	2.09	3.35	2.17
1/2"	58-ANG-03(P)	1.14	3.07	2.62

