

Trap A • Spec Sheet

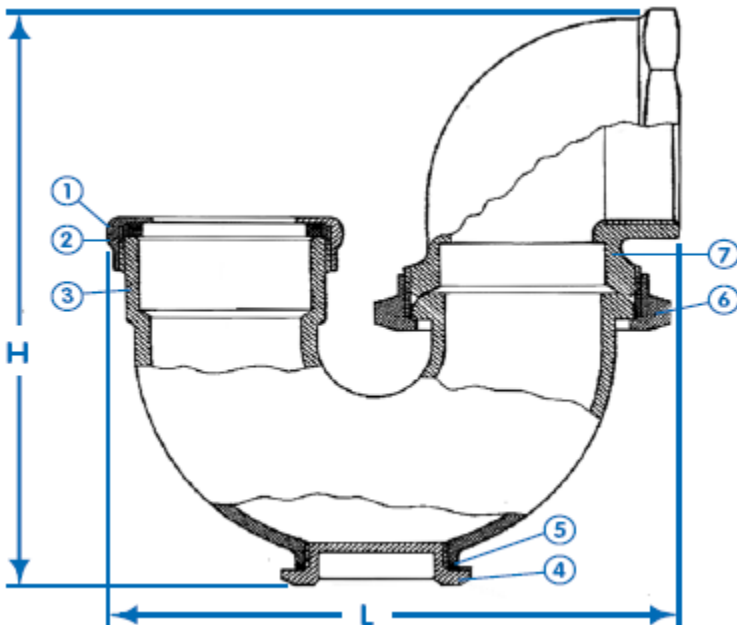


FEATURES & BENEFITS

- Cast Brass LA Trap
- IPS Connection
- With Cleanout
- Chrome Plated Finish
- Also Available - Rough Brass Finish
- ISO 9001:2000

DIMENSIONS

Part #	Size	H	L
Trap-A	1-1/2" FIP X 1-1/4"	5.52	4.98



MATERIAL SPECIFICATIONS

No.	Part	Material
1	Packing Nut	Brass
2	Packing	Rubber
3	Body	Brass
4	Bonnet	Brass
5	Packing	PTFE
6	Nipple Nut	Brass
7	Body	Brass

