

# Semi Cast P Traps

## Specification Sheet

### FEATURES & BENEFITS

- Semi Cast Brass P Trap
- J-Bend With Cleanout
- 17 Gauge Wall Arm
- With Brass Coupling Nut & Flange
- Chrome Plated Finish

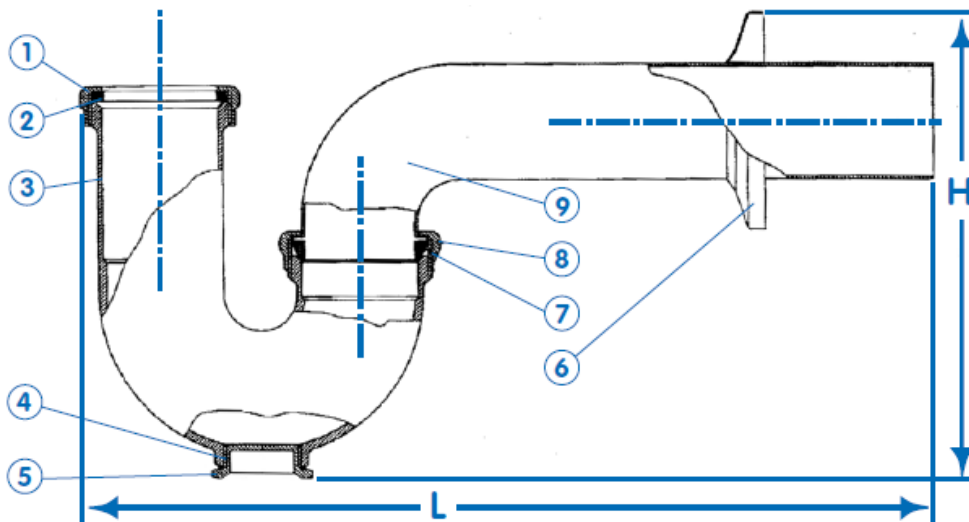


### MATERIAL SPECIFICATIONS

No.	Part	Material
1	Slip Nut	Brass
2	Washer	Rubber
3	Cast Body	Brass
4	Clean Out Plug	PTFE
5	Bonnet	Brass
6	Flange	St. Steel
7	Gasket	Tapered PTFE
8	Slip Nut	Brass
9	Wall Arm	Brass

### DIMENSIONS

Part #	Size	H	L
Trap-0606SC	1-1/4" x 1-1/4"	5.5	10.8
Trap-0706SC	1-1/2" x 1-1/4"	6.3	11.0
Trap-0707SC	1-1/2" x 1-1/2"	6.3	11.0



**MATCO**  
**NORCA**