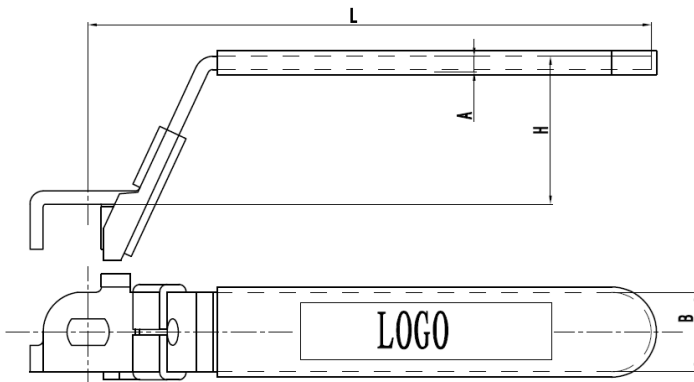


Press Locking Handle & Stem Extension

Specification Sheet

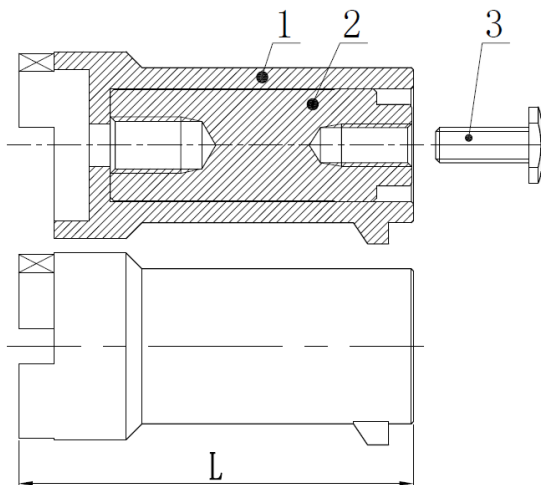
FEATURES & BENEFITS

- Locking Handle for 759 Press Ball Valve
- Stem Extension for 759 Press Ball Valve
- Available in Sizes 1/2" – 2"
- Items Sold Separately



LOCKING HANDLES - DIMENSIONS

Part #	Size	A	B	H	L
P759PLH3	1/2"	0.10	0.59	1.10	4.26
P759PLH45	3/4" & 1"	0.12	0.79	1.37	4.81
P759PLH678	1-1/4" – 2"	0.14	0.87	1.46	5.32



STEM EXTENSION – DIMENSIONS

Part #	Size	L
P759P3EXTLF	1/2"	2.15
P759P45EXTLF	3/4" & 1"	2.21
P759P678EXTLF	1-1/4" – 2"	2.29

MATERIAL SPECIFICATION

No.	Part	Material
1	Extension Set	Bras
2	Extension Stem	Brass
3	Screw	Plated Steel

