

**PP-010CP**

**PP-010BNP**



**PP-010MBP**

## **PLASTIC PUSH POP-UP**



### **FEATURES & BENEFITS**

- With Overflow

### **Approvals:**

Meets or Exceeds The Following:

- \* ANSI/ASME A112.18.1/A112.18.1
- \* IAPMO/cUPC

PP-010CP  
Chrome Finish

PP-010BNP  
Brushed Nickel Finish

PP-010MBP  
Matte Black Finish

# **Product Spec Sheet**



**TEL:** 800-431-2082

**FAX:** 800-640-2252

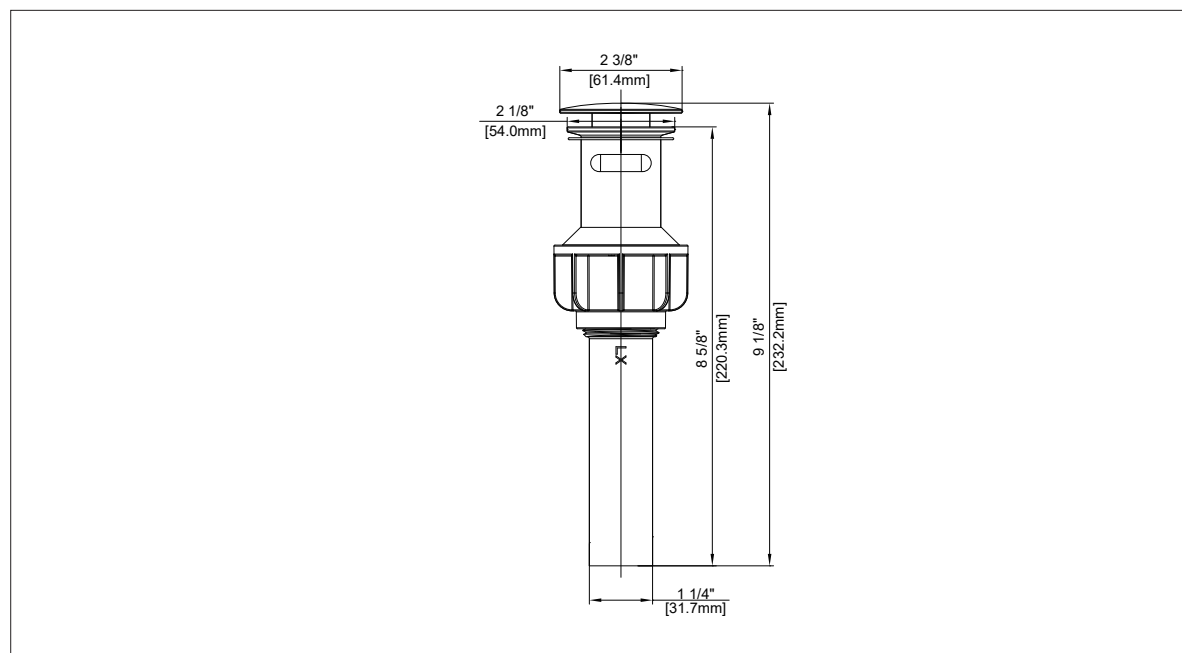
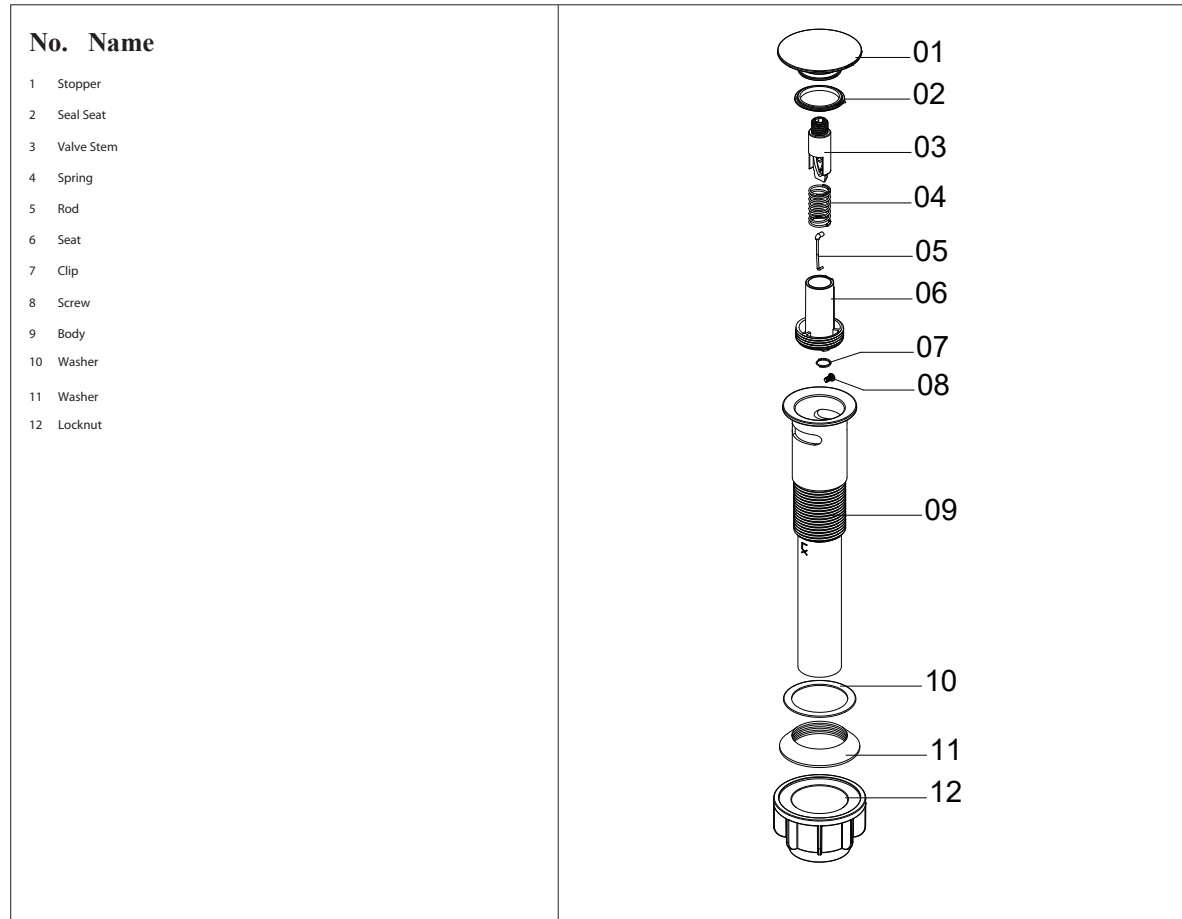
Visit Our Web Site : [www.matco-norca.com](http://www.matco-norca.com)

**PP-010CP**

**PP-010BNP**

**PP-010MBP**

**PLASTIC PUSH POP-UP**



**Product Spec Sheet**