

PD-730CJP

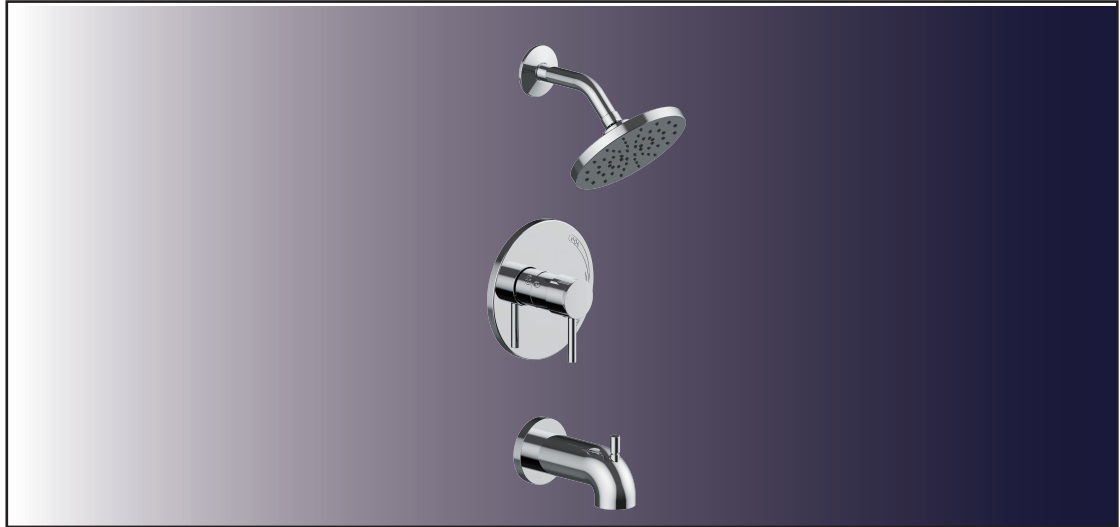
PD-730BNJP

**MATCO
NORCA™**

PD-730MBJP

Single Handle Tub & Shower Trim Kit

Product Spec Sheet



FEATURES & BENEFITS

- Metal Lever Handle
- Metal Shower Arm And Shower Flange
- With Metal Slip On Tub Spout
- With Metal Escutcheon
- With 6" Single Function Showerhead
- Showerhead: Max Flow Rate 1.8 GPM (6.8L/Min)
At 80 PSI (ASME A112.18.1/A112.18.1)

PD-730CJP
Chrome Finish

PD-730BNJP
Brushed Nickel Finish

PD-730MBJP
Matte Black Finish

Approvals:

Meets or Exceeds The Following:

- * ANSI/ASME A112.18.1/A112.18.1
- * IAPMO/cUPC
- * ADA Compliant
- * EPA WaterSense



TEL: 800-431-2082

FAX: 800-640-2252

Visit Our Web Site : www.matco-norca.com

PD-730CJP

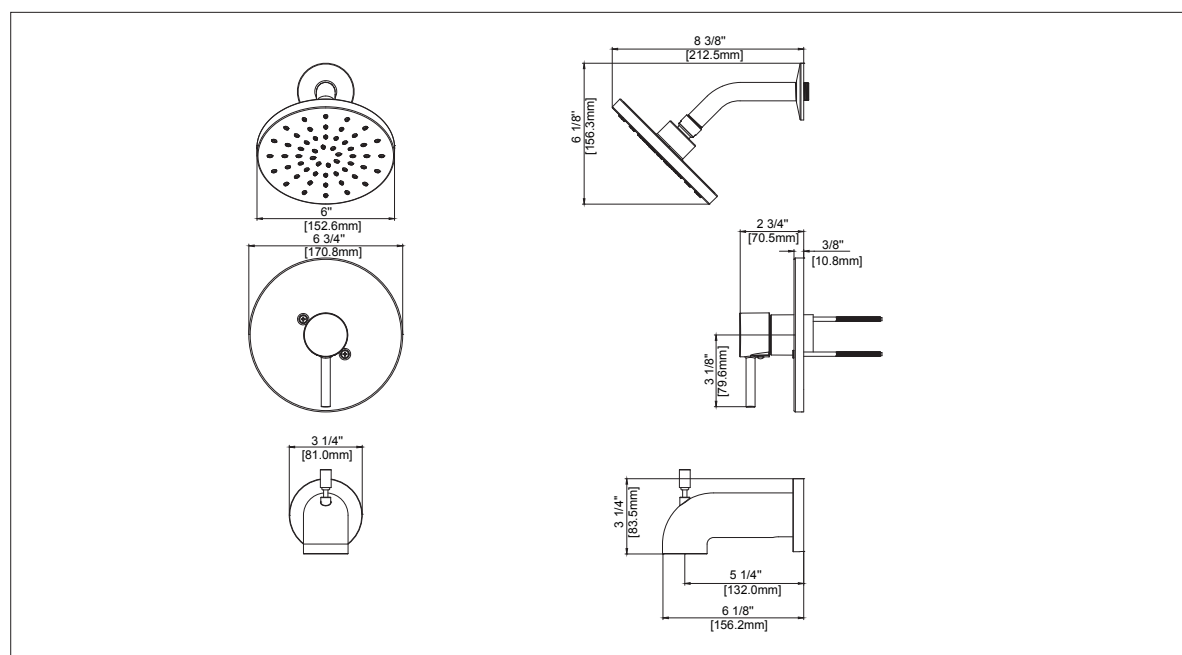
PD-730BNJP

PD-730MBJP

Single Handle Tub & Shower Trim Kit

| No. | Name | Part No. |
|-----|--|----------|
| 1 | Shower head / Cabezal de la ducha | RP38512* |
| 2 | Shower arm / Brazo de la ducha | RP38408* |
| 3 | Shower flange / Brida de la ducha | RP38046* |
| 4 | Sleeve / Funda | RP80624* |
| 5 | Escutcheon / Placa protectora | RP80781* |
| 6 | Escutcheon screw / Tornillo de la placa protectora | RP50055 |
| 7 | Handle / Llave | RP13795* |
| 8 | Index / Índice | RP10042 |
| 9 | Spout / Caño | RP33102* |

* Specify Finish
* Especificque el Acabado



Product Spec Sheet