

PD-700CJP

PD-700BNJP

**MATCO
NORCA™**

PD-700MBJP

Single Handle Valve Only Trim Kit

Product Spec Sheet



FEATURES & BENEFITS

- Metal Lever Handle
- Metal Escutcheon

PD-700CJP
Chrome Finish

PD-700BNJP
Brushed Nickel Finish

PD-700MBJP
Matte Black Finish

Approvals:

Meets or Exceeds The Following:

- * ANSI/ASME A112.18.1/A112.18.1
- * IAPMO/cUPC
- * ADA Compliant



TEL: 800-431-2082

FAX: 800-640-2252

Visit Our Web Site : www.matco-norca.com

PD-700CJP

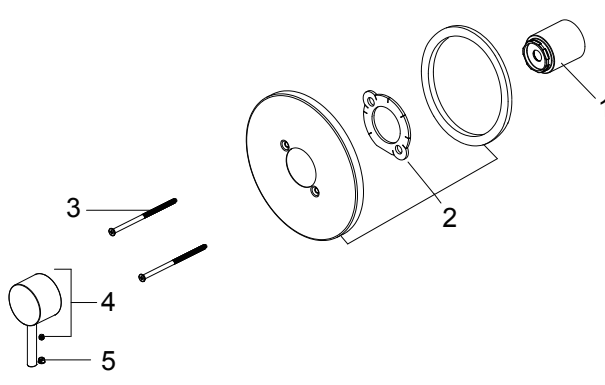
PD-700BNJP



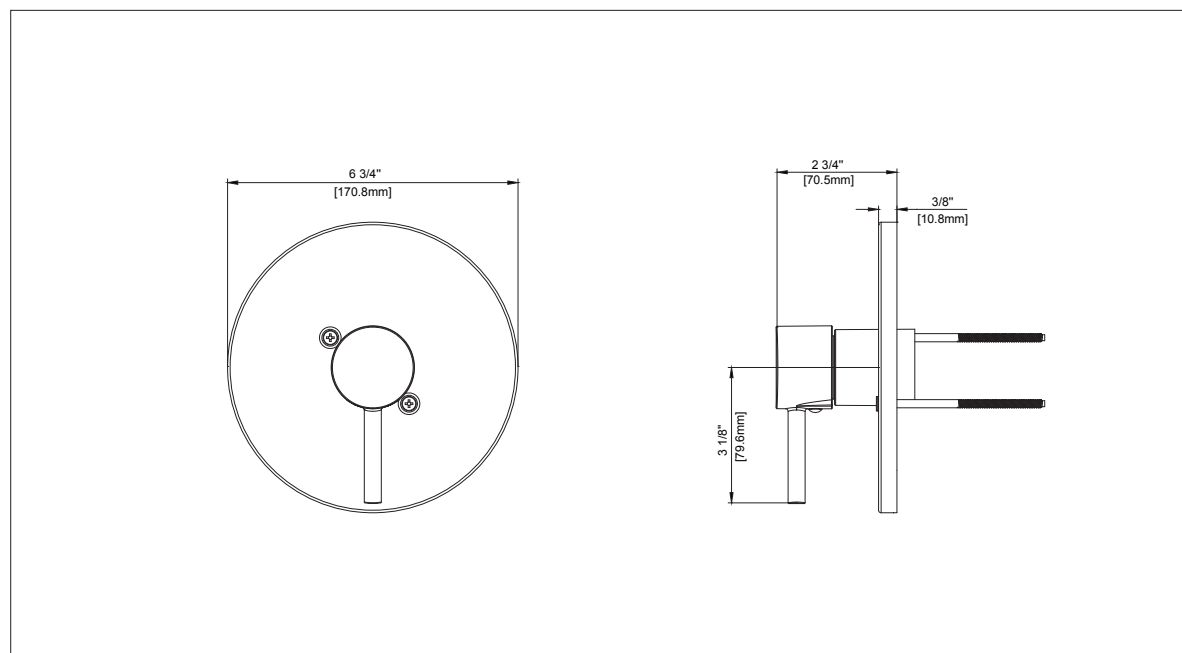
PD-700MBJP

Single Handle Valve Only Trim Kit

No.	Name	Part No.
1	Sleeve / Funda	RP80624*
2	Escutcheon / Placa protectora	RP80781*
3	Escutcheon screw / Tornillo de la placa protectora	RP50055
4	Handle / Llave	RP13795*
5	Index / Índice	RP10042



* Specify Finish
* Especifique el Acabado



Product Spec Sheet

TEL: 800-431-2082

FAX: 800-640-2252

Visit Our Web Site : www.matco-norca.com