

**PD-151C**  
 **PD-151MB**

**PD-151SS**

**MATCO**  
**NORCA**<sup>™</sup>

## **Single Handle Pull Down Kitchen Faucet**

# Product Spec Sheet



### **FEATURES & BENEFITS**

- This Product Contains Less Than 0.25% Weighted Average Lead Content On Wetted Surfaces
- Metal Lever Handle
- Ceramic Cartridge
- Optional Deck Plate Included
- Max Flow Rate 1.8GPM(6.8L/Min) At 60PSI (ASME A112.18.1/A112.18.1)

PD-151C  
Chrome Finish

PD-151SS  
Stainless Steel Finish

PD-151MB  
Matte Black

### **Approvals:**

Meets or Exceeds The Following:

- \* ANSI/ASME A112.18.1/A112.18.1
- \* NSF/ANSI 61 - Sec. 9
- \* NSF/ANSI 372
- \* IAPMO/cUPC
- \* NSF/ANSI/CAN 61:  $Q \leq 1$



**TEL:** 800-431-2082

**FAX:** 800-640-2252

Visit Our Web Site : [www.matco-norca.com](http://www.matco-norca.com)

**PD-151C**

**PD-151SS**

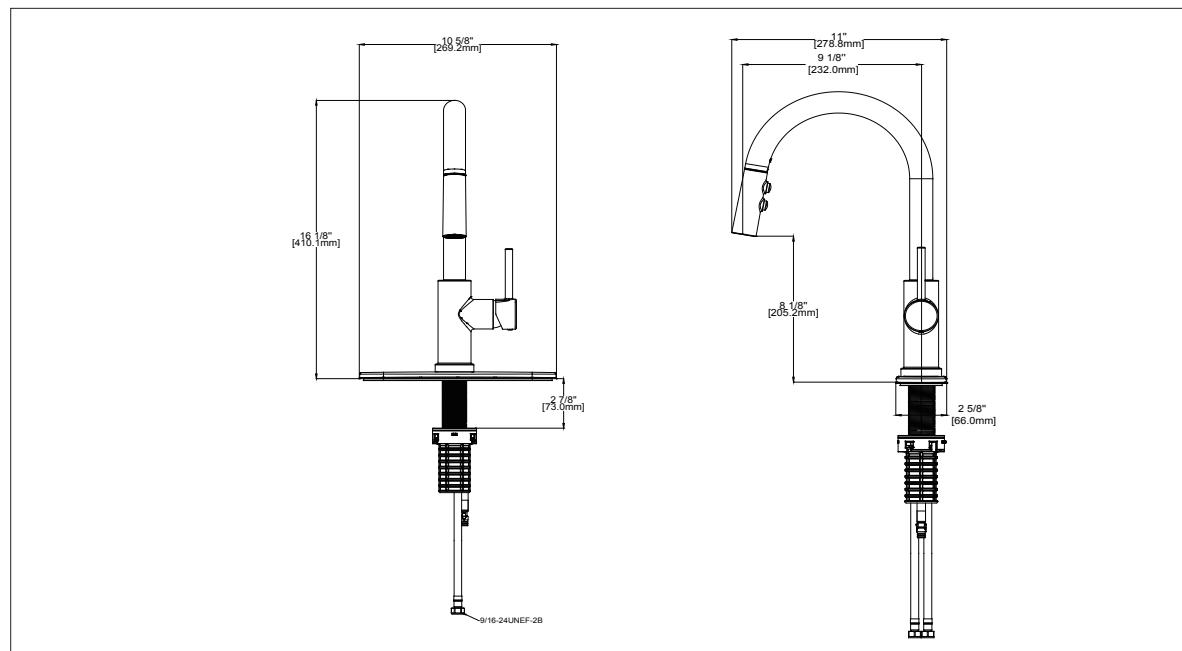
**MATCO  
NORCA™**

**PD-151MB**

## Single Handle Pulldown Kitchen Faucet

| No. | Name  | Part No. |
|-----|---|----------|
| 1   | Handle Assembly / Ensamblaje de la Llave                | RP13701* |
| 2   | Cap / Tapa  | RP80028* |
| 3   | Bonnet Nut / Tuerca del Bonete                          | RP70688  |
| 4   | Cartridge & Screw / Cartucho y Tornillo                 | RP20052  |
| 5   | Spray Head and Hose / Cabezal Rociador y Manguera       | RP38526* |
| 6   | Deckplate / Placa de la Cubierta                        | RP80667* |
| 7   | Gasket / Junta  | RP80755  |
| 8   | Quick Install Nut / Tuerca de Instalación Rápida        | RP56096  |
| 9   | Block / Bloque  | RP70421  |
| 10  | O-Ring / Aro Tórico                                     | RP60002  |
| 11  | Quick connect assembly / Ensamblaje del conector rápido | RP70697  |
| 12  | Weight / Peso   | RP70689  |
| 13  | Weight Clip / Sujetador Con Peso                        | RP64204  |
| 14  | Index Bonnet  | RP10098  |

\* Specify Finish  
\* Especifique el Acabado



**Product Spec Sheet**

TEL: 800-431-2082

FAX: 800-640-2252

Visit Our Web Site : [www.matco-norca.com](http://www.matco-norca.com)