

MTRAP Milwaukee Trap • Spec Sheet



FEATURES & BENEFITS

- Chrome Plated
- Size 1-1/2" x 1-1/4"

MTRAP0706CP17CO

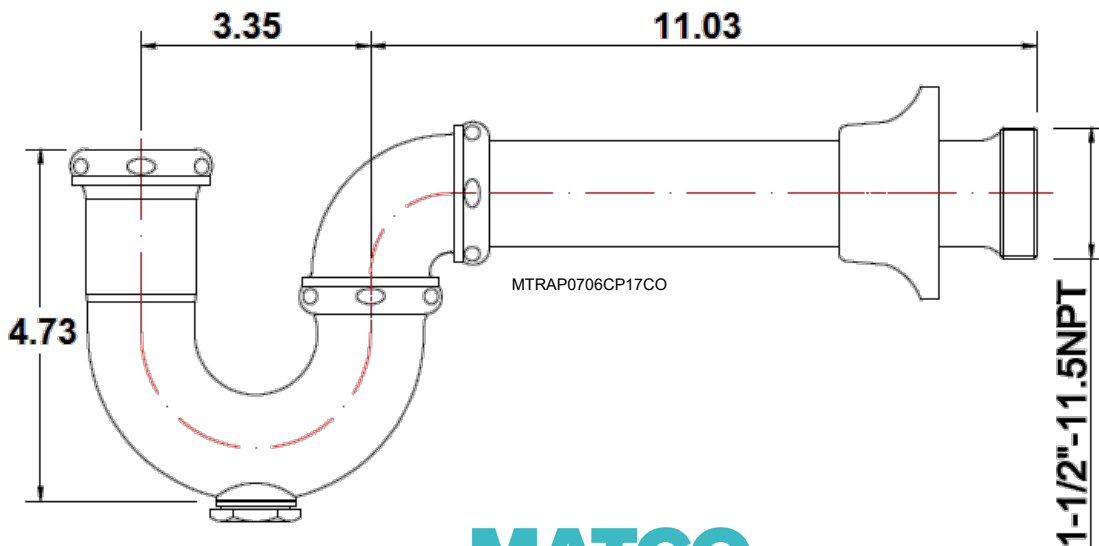
- 17 Gauge With Cleanout

MTRAP0706CP20

- 20 Gauge Less Cleanout

MATERIAL SPECIFICATIONS

Part	Material
Slip Nut, 1-1/2	Brass
Washer, 1-1/2x1-1/4	Plastic
Washer, 1-1/2	Rubber
J-Bend, 1-1/2	Brass
O-Ring	Rubber
Cleaning Cover	Brass
Casting Parts	Brass
Slip Joint Ext Tube, 1-1/2	Brass
Box Flange	SS



CALIFORNIA 5595 Fresca Dr., La Palma CA 90623
TEXAS 1150 Silber Rd., Houston TX 77055
ILLINOIS 278 Windy Point Dr., Glendale Heights, IL 60139
GEORGIA 113 Industrial Blvd., Americus, Georgia 31709
NEW YORK PO Box 27, Rt.22, Brewster NY 10509
 WEB: www.matco-norca.com

• Phone: 866-532-8306 • Fax: 866-532-8307
 • Phone: 800-935-5456 • Fax: 713-680-2999
 • Phone: 844-412-5068 • Fax: 800-640-2252
 • Phone: 800-433-7526 • Fax: 800-533-5134
 • Phone: 800-431-2082 • Fax: 845-278-9056
 EMAIL: mail@matco-norca.com