

**LV-505CL**

**LV-505BNL**



## **Single Handle Lavatory Faucet**

# **Product Spec Sheet**



### **FEATURES & BENEFITS**

- This Product Contains Less Than 0.25% Weighted Average Lead Content On Wetted Surfaces
- Metal Lever Handle
- Washerless Cartridge
- Max Flow Rate 1.2 GPM (4.5L/Min) At 60 PSI (ASME A112.18.1/A112.18.1)

LV-505CL  
Chrome Finish

LV-505BNL  
Brushed Nickel Finish

### **Approvals:**

Meets or Exceeds The Following:

- \* ANSI/ASME A112.18.1/A112.18.1
- \* NSF/ANSI 61 - Sec. 9
- \* NSF/ANSI 372
- \* IAPMO/cUPC
- \* CA AB1953
- \* ADA Compliant
- \* EPA WaterSense



**TEL:** 800-431-2082

**FAX:** 800-640-2252

Visit Our Web Site : [www.matco-norca.com](http://www.matco-norca.com)

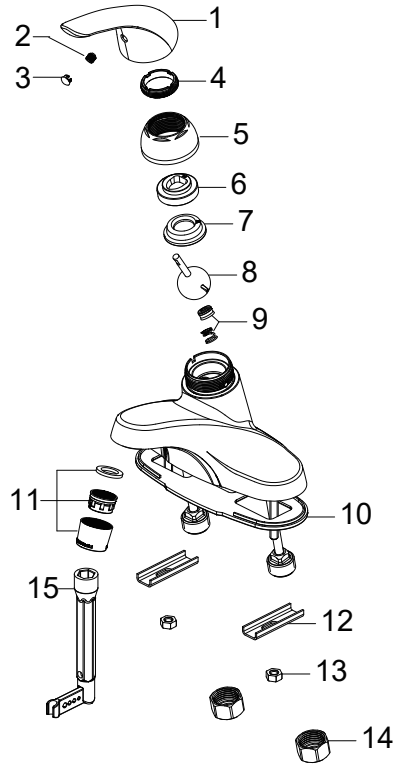
□ **LV-505CL**

□ **LV-505BNL**

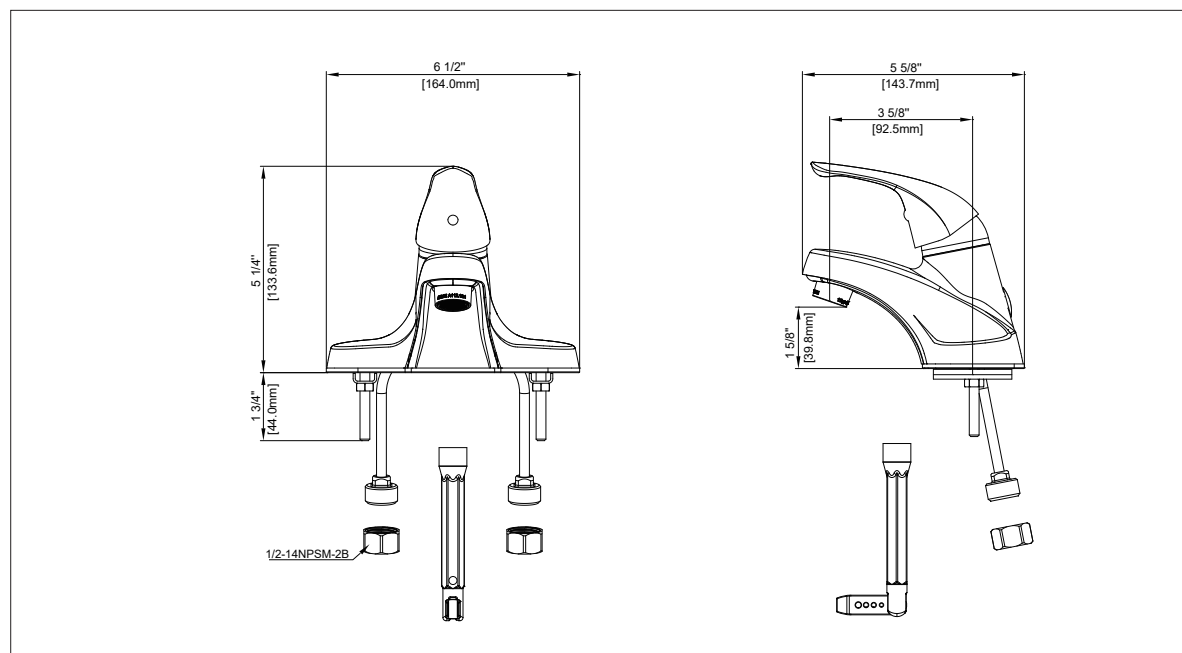


# Single Handle Lavatory Faucet

No.	Name	Part No.
1	Handle / llave	RP13163*
2	Set screw / Tornillo de fijación	RP50222
3	Index / índice	RP10042
4	Bonnet / Bonete	RP70731
5	Cap / Tapa	RP80756*
6	Cam / Leva	RP70107
7	Cam washer / Arandela de leva	RP70108
8	Mixer ball / Bola de la mezcladora	RP22007
9	Seat & Spring / Base y resorte	RP22008
10	Gasket / Junta	RP80751
11	Aerator / Aireador	RP30190*
12	Washer / Arandela	RP64083
13	Nut / Tuerca	RP56033
14	Coupling nut / Tuerca de acoplamiento	RP56002
15	Spanner key / Llave de llave	RP70755



\* Specify Finish  
\* Especificque el Acabado



**Product Spec Sheet**