

LV-500CF

LV-500BNF

**MATCO
NORCA**

Single Handle Lavatory Faucet



Product Spec Sheet

FEATURES & BENEFITS

- This Product Contains Less Than 0.25% Weighted Average Lead Content On Wetted Surfaces
- One Hole or Three Hole Installation
- Metal Lever Handle
- Ceramic Cartridge
- Optional Deckplate Included
- Integrated Supply Lines
- 50/50 Push Pop-Up
- Max Flow Rate 1.2 GPM (4.5L/Min) At 60 PSI (ASME A112.18.1/A112.18.1)

Approvals:

Meets or Exceeds The Following:

- * ANSI/ASME A112.18.1/A112.18.1
- * NSF/ANSI 61 - Sec. 9
- * NSF/ANSI 372
- * IAPMO/cUPC
- * CA AB1953
- * ADA Compliant
- * EPA WaterSense
- * NSF/ANSI/CAN 61: $Q \leq 1$

LV-500CF
Chrome Finish

LV-500BNF
Brushed Nickel Finish

TEL: 800-431-2082

FAX: 800-640-2252

Visit Our Web Site : www.matco-norca.com



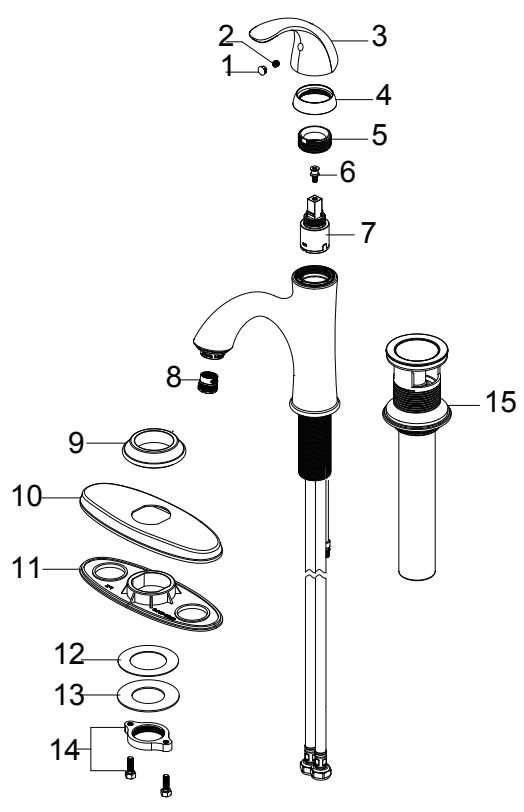
□ **LV-500CF**

□ **LV-500BNF**

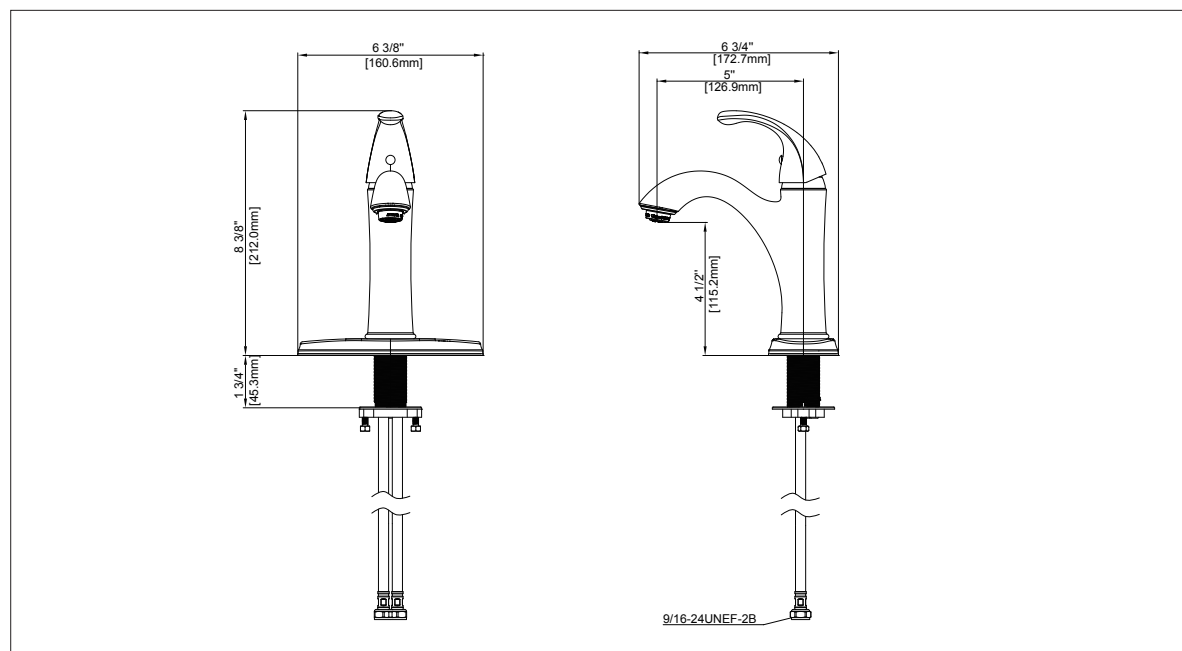
**MATCO
NORCA™**

Single Handle Lavatory Faucet

| No. | Name | Part No. |
|-----|--|----------|
| 1 | Index / Índice | RP10042 |
| 2 | Set screw / Tornillo de fijación | RP50002 |
| 3 | Handle / Llave | RP13768* |
| 4 | Cap / Tapa | RP80344* |
| 5 | Bonnet / Bonete | RP70539 |
| 6 | Screw / Tornillo | RP50200 |
| 7 | Cartridge / Cartucho | RP20090 |
| 8 | Aerator / Aireado | RP30187 |
| 9 | Flange / Brida | RP80345* |
| 10 | Escutcheon / Placa protectora | RP80346* |
| 11 | Gasket / Junta | RP80753 |
| 12 | Rubber washer / Arandela de hule | RP64131 |
| 13 | Metal washer / Arandela metálica | RP64188 |
| 14 | Nut & Screw / Tuerca y Tornillo | RP56115 |
| 15 | Pop-up assembly / Ensamblaje emergente | RP40317* |



* Specify Finish
* Especifique el Acabado



Product Spec Sheet

TEL: 800-431-2082

FAX: 800-640-2252

Visit Our Web Site : www.matco-norca.com