

**LV-420CF**

**LV-420BNF**



## **Two - Handle Lavatory Faucet**

# **Product Spec Sheet**



### **FEATURES & BENEFITS**

- This Product Contains Less Than 0.25% Weighted Average Lead Content On Wetted Surfaces
- Metal Lever Handle
- Ceramic Cartridge
- 50/50 Push Pop-Up
- Max Flow Rate 1.2 GPM (4.5L/Min) At 60 PSI (ASME A112.18.1/A112.18.1)

LV-420CF  
Chrome Finish

LV-420BNF  
Brushed Nickel Finish

### **Approvals:**

Meets or Exceeds The Following:

- \* ANSI/ASME A112.18.1/A112.18.1
- \* NSF/ANSI 61 - Sec. 9
- \* NSF/ANSI 372
- \* IAPMO/cUPC
- \* CA AB1953
- \* ADA Compliant
- \* EPA WaterSense



**TEL:** 800-431-2082

**FAX:** 800-640-2252

Visit Our Web Site : [www.matco-norca.com](http://www.matco-norca.com)

□ **LV-420CF**

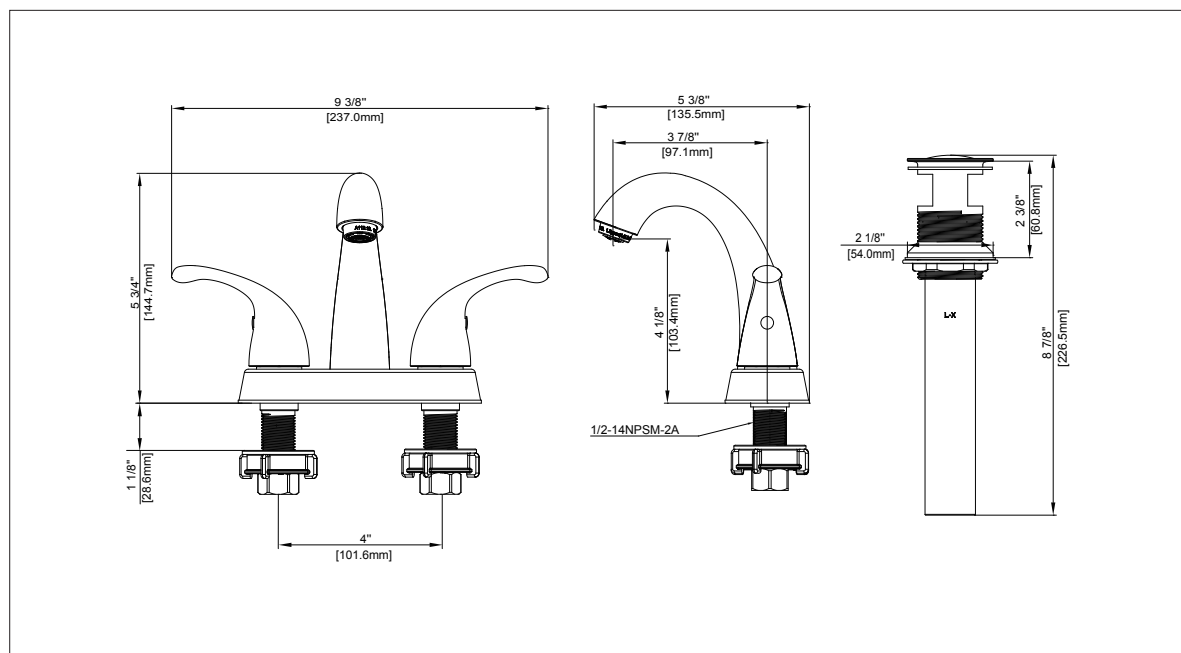
□ **LV-420BNF**



# Two - Handle Lavatory Faucet

No.	Name	Part No.
1	Handle / Llave	RP13308*
2	Set screw / Tornillo de fijación	RP50002
3	Index H / Índice H	RP10004
4	Index C / Índice C	RP10005
5	Bonnet / Bonete	RP70678
6	Washer / Arandela	RP64123
7	Cartridge H / Cartucho H	RP20067
8	Cartridge C / Cartucho C	RP20068
9	Gasket / Junta	RP80738
10	Aerator / Aireado	RP30187
11	Easy install nut / Tuerca fácil de instalar	RP56096
12	Coupling nut / Tuerca de acoplamiento	RP56002
13	Pop-up assembly / Ensamblaje emergente	RP40317*

\* Specify Finish  
\* Especificque el Acabado



**Product Spec Sheet**