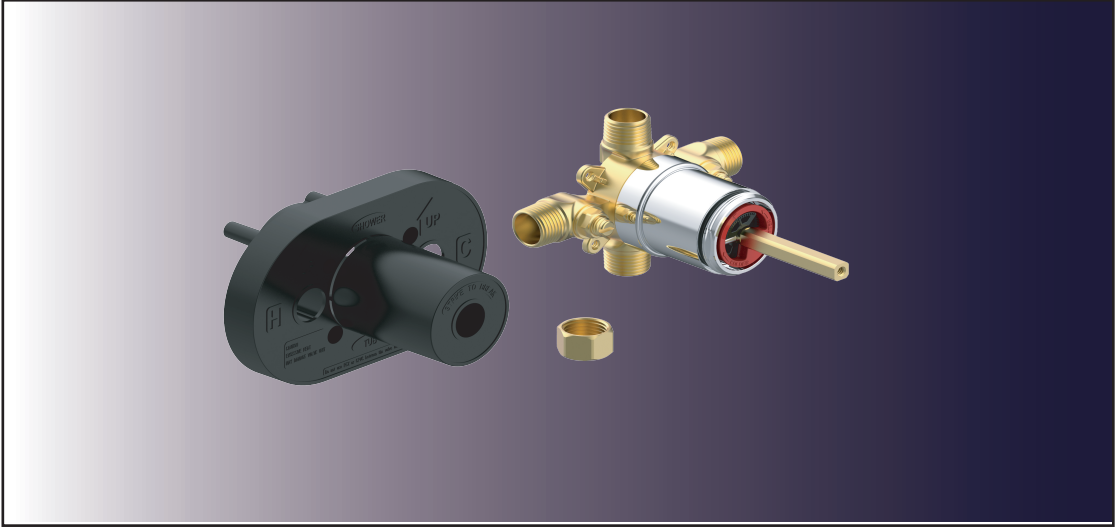


□ **LR-799WS**

PRESSURE BALANCING VALVE BODY



Product Spec Sheet

FEATURES & BENEFITS

LR-799WS

- Ceramic Cartridge
- CC/MIP
- With Stops

Approvals:

Meets or Exceeds The Following:

- * ANSI/ASME A112.18.1
- * IAPMO/cUPC
- * ASSE 1016-2005



TEL: 800-431-2082

FAX: 800-640-2252

Visit Our Web Site : www.matco-norca.com

PRESSURE BALANCING VALVE BODY

No.	Name	Part No.
1	O-ring / A rotórico	RP60091
2	Bonnet / Bonete	RP70798
3	Cartridge / Cartucho	RP20131
4	O-ring / A rotórico	RP60130

An exploded view diagram of the pressure balancing valve body. It shows the following components: 1. An O-ring (rotórico) at the top of the bonnet. 2. The bonnet (bonete) which houses the cartridge. 3. The cartridge (cartucho) with a stem and a ball. 4. Another O-ring (rotórico) at the bottom of the bonnet. The main valve body is shown below with various ports and a handle.

