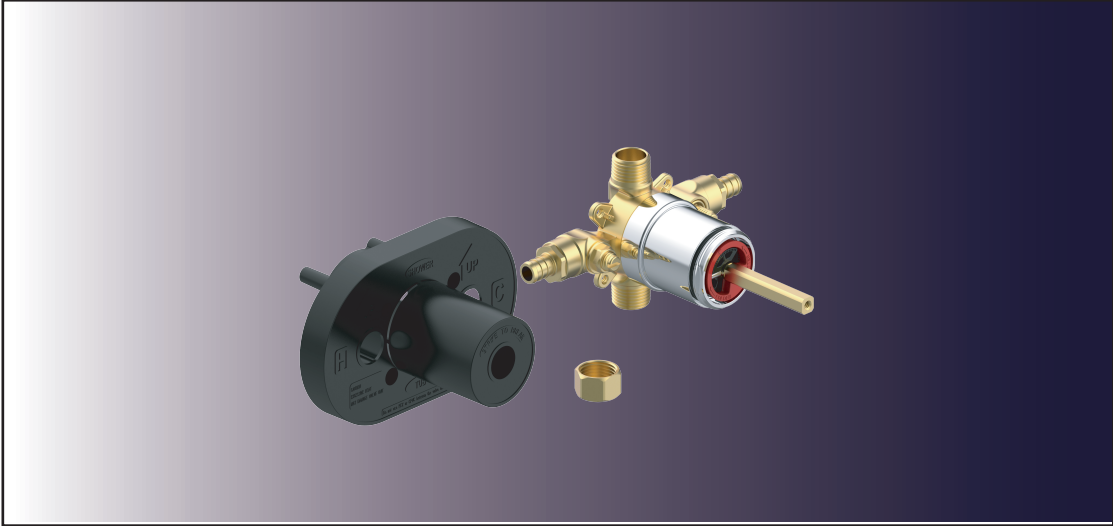


□ **LR-799PWS**

**PRESSURE BALANCING VALVE BODY**



**Product Spec Sheet**

**FEATURES & BENEFITS**

- Ceramic Cartridge
- Pex Connection
- With Stops

LR-799PWS

**Approvals:**

**Meets or Exceeds The Following:**

- \* ANSI/ASME A112.18.1
- \* IAPMO/cUPC
- \* ASSE 1016-2005



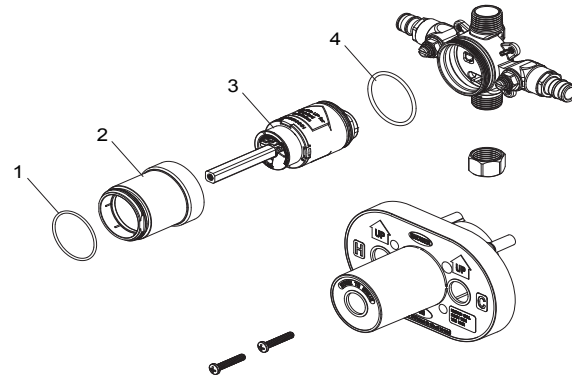
**TEL:** 800-431-2082

**FAX:** 800-640-2252

Visit Our Web Site : [www.matco-norca.com](http://www.matco-norca.com)

## **PRESSURE BALANCING VALVE BODY**

No.	Name	Part No.
1	O-ring / A rotórico	RP60091
2	Bonnet / Bonete	RP70798
3	Cartridge / Cartucho	RP20131
4	O-ring / A rotórico	RP60130



An exploded view diagram of the pressure balancing valve body. It shows the following components: 1. An O-ring (rotórico) at the top left. 2. A bonnet (bonete) in the center. 3. A cartridge (cartucho) to the right of the bonnet. 4. Another O-ring (rotórico) below the cartridge. To the right of these are the main valve body assembly and a small cap. A screwdriver is shown at the bottom left.

