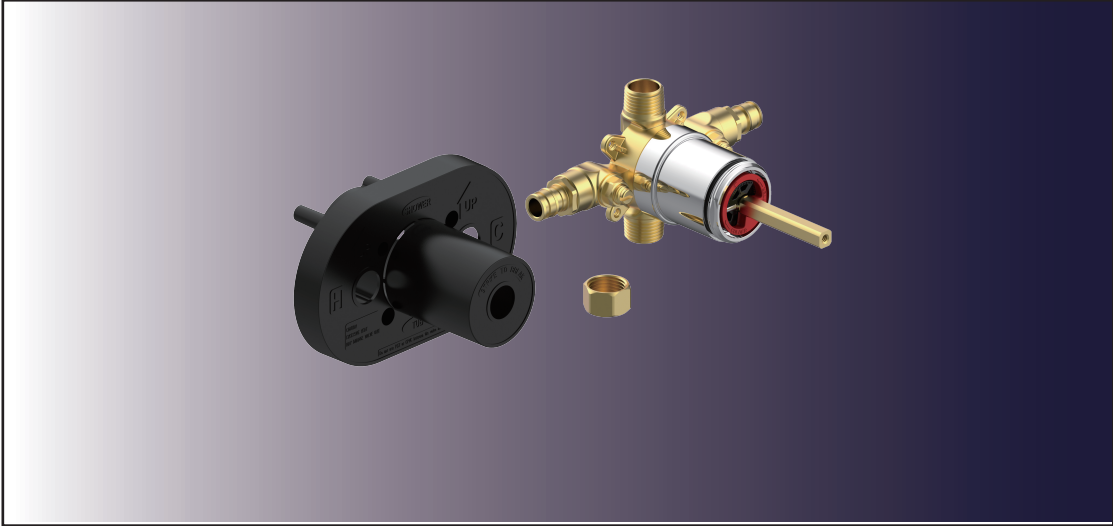


□ **LR-799AWS**

## **PRESSURE BALANCING VALVE BODY**



# Product Spec Sheet

### **FEATURES & BENEFITS**

LR-799AWS

- Ceramic Cartridge
- Pex A Connection ASTM F1960 Standard
- With Stops

**Approvals:**

**Meets or Exceeds The Following:**

- \* ANSI/ASME A112.18.1
- \* IAPMO/cUPC
- \* ASSE 1016-2005



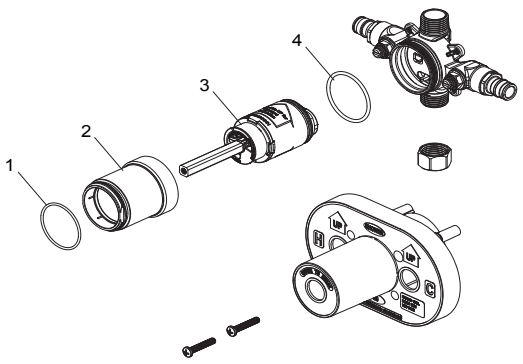
**TEL:** 800-431-2082

**FAX:** 800-640-2252

Visit Our Web Site : [www.matco-norca.com](http://www.matco-norca.com)

## **PRESSURE BALANCING VALVE BODY**

No.	Name	Part No.
1	O-ring / A rotórico	RP60091
2	Bonnet / Bonete	RP70798
3	Cartridge / Cartucho	RP20131
4	O-ring / A rotórico	RP60130



An exploded view diagram of the pressure balancing valve body. It shows the following components: 1. An O-ring (rotórico) at the top left. 2. A bonnet (bonete) in the center. 3. A cartridge (cartucho) below the bonnet. 4. Another O-ring (rotórico) to the right of the cartridge. Other parts of the valve body are shown in the background without numbers.

