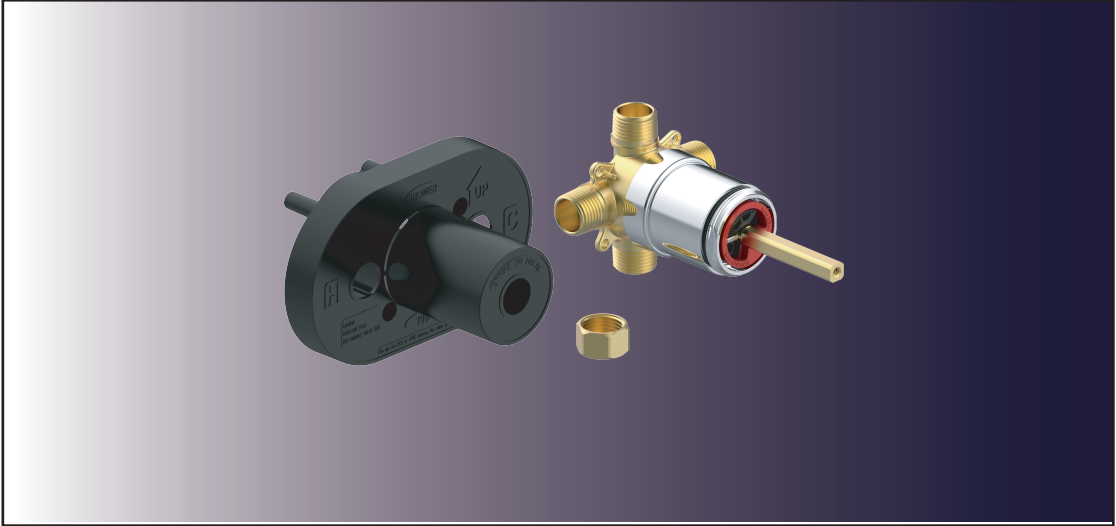


PRESSURE BALANCING VALVE BODY



Product Spec Sheet

FEATURES & BENEFITS

LR-799

- Ceramic Cartridge
- CC/MIP
- Less Stops

Approvals:
Meets or Exceeds The Following:
* ANSI/ASME A112.18.1
* IAPMO/cUPC
* ASSE 1016-2005



TEL: 800-431-2082

FAX: 800-640-2252

Visit Our Web Site : www.matco-norca.com

PRESSURE BALANCING VALVE BODY

No.	Name	Part No.
1	O-ring / A rotórico	RP60091
2	Bonnet / Bonete	RP70798
3	Cartridge / Cartucho	RP20131
4	O-ring / A rotórico	RP60130
5	Cartridge Seat / Asiento del cartucho	RP70799

