

FY-695 Hose Bibb • Spec Sheet

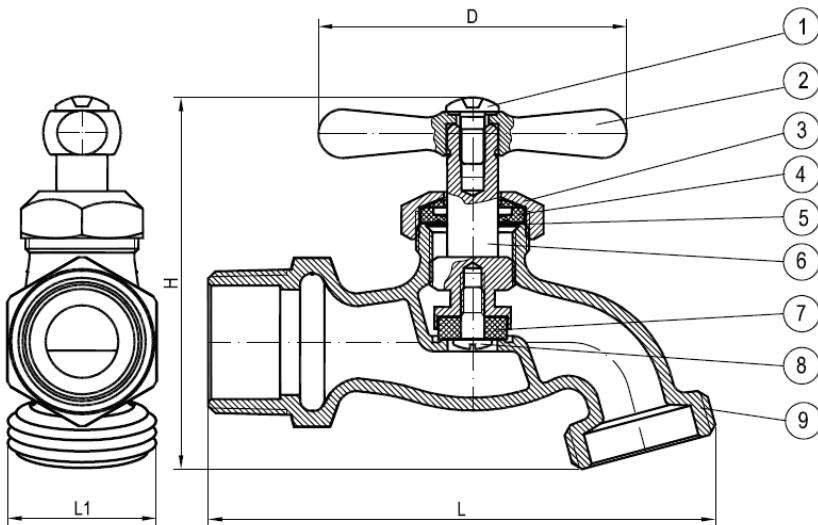


FEATURES & BENEFITS

- Chrome Plated Hose Bibb
- 3/4" Hose End Outlet
- 3/4" MIP Inlet

DIMENSIONS

| Part # | Size | H | L | L1 | D |
|--------|-----------------------|------|------|------|------|
| FY-695 | 3/4" Male X 3/4" Hose | 2.64 | 3.61 | 1.13 | 2.19 |



MATERIAL SPECIFICATIONS

| No. | Part | Material |
|-----|--------------|------------------------|
| 1 | Bolt | Carbon Steel JIS G3507 |
| 2 | Handle | Zinc Z30A 99,90-99-95% |
| 3 | Bonnet | Brass B124 C37700 |
| 4 | Packing | NBR |
| 5 | Washer | Stainless Steel 304 |
| 6 | Stem | Brass B124 C37700 |
| 7 | Seat Packing | NBR |
| 8 | Seat Screw | Brass C2600W |
| 9 | Body | Brass B58 C85710 |

