

AZ206T Aztec Sillcock

Specification Sheet

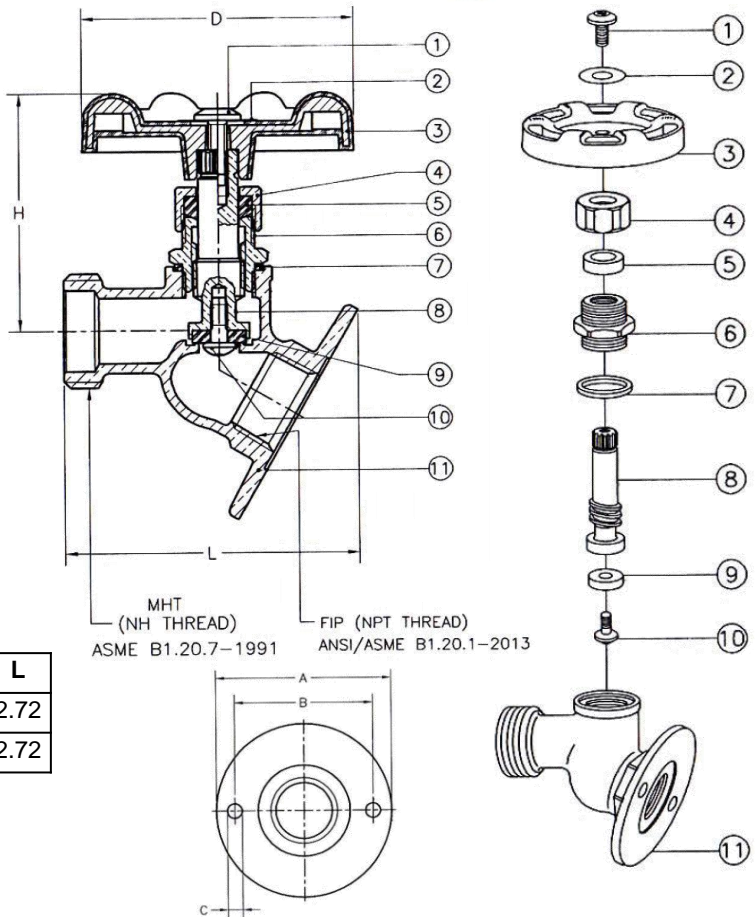
FEATURES & BENEFITS

- Graphite Packing
- With Stuffing Box
- Pressure Rating Max. 125 PSI
- Temp. Rating Max. 160°F
- IAPMO & ANSI Approved
- 1/2" and 3/4"



MATERIAL SPECIFICATIONS

No.	Part	Material
1	Bolt	Stainless Steel 304
2	Name Plate	Aluminum A1100
3	Handle	Aluminum Rubber Coated
4	Packing Nut	Brass Rod C37700
5	Packing	Graphite
6	Bonnet	Brass Rod C37700
7	Packing	Nylon
8	Stem	Brass Rod C37700
9	Seat Packing	Rubber (NBR) SN-819F
10	Screw	Stainless Steel 304
11	Body	Cast Brass C85700



DIMENSIONS

Part #	Size	A	B	C	D	H	L
AZ206T03	1/2"	2.25	1.77	0.24	2.52	2.21	2.72
AZ206T04	3/4"	2.25	1.77	0.24	2.52	2.21	2.72

