

**AN-900C**  
 **AN-900ORB**

**AN-900BN**

**MATCO**  
**NORCA**

## **8" Two Handle Widespread Roman Tub Faucet**

# Product Spec Sheet



### **FEATURES & BENEFITS**

- Metal Lever Handle
- Ceramic Cartridge
- Minimum Flow Rate 2.4GPM(9.0L/Min) At 20PSI  
(ASME A112.18.1/A112.18.1)

AN-900C  
Chrome Finish

AN-900BN  
Brushed Nickel Finish

AN-900ORB  
Oil Rubbed Bronze Finish

### **Approvals:**

Meets or Exceeds The Following:

- \* ASME A112.18.1/CSA B125.1
- \* IAPMO/cUPC



**TEL:** 800-431-2082

**FAX:** 800-640-2252

Visit Our Web Site : [www.matco-norca.com](http://www.matco-norca.com)

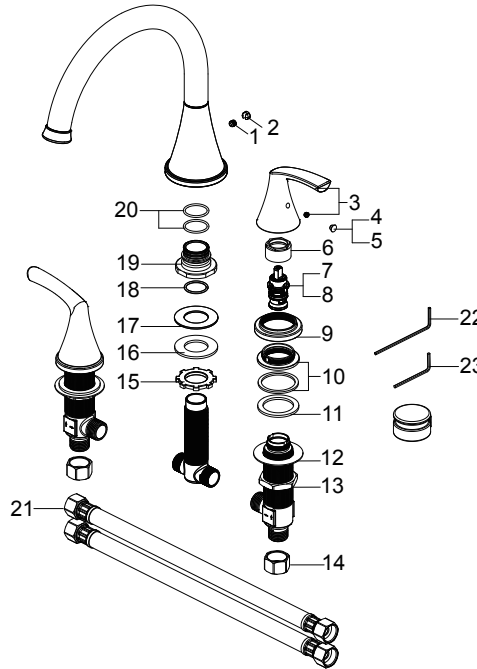
**AN-900C**

**AN-900BN**

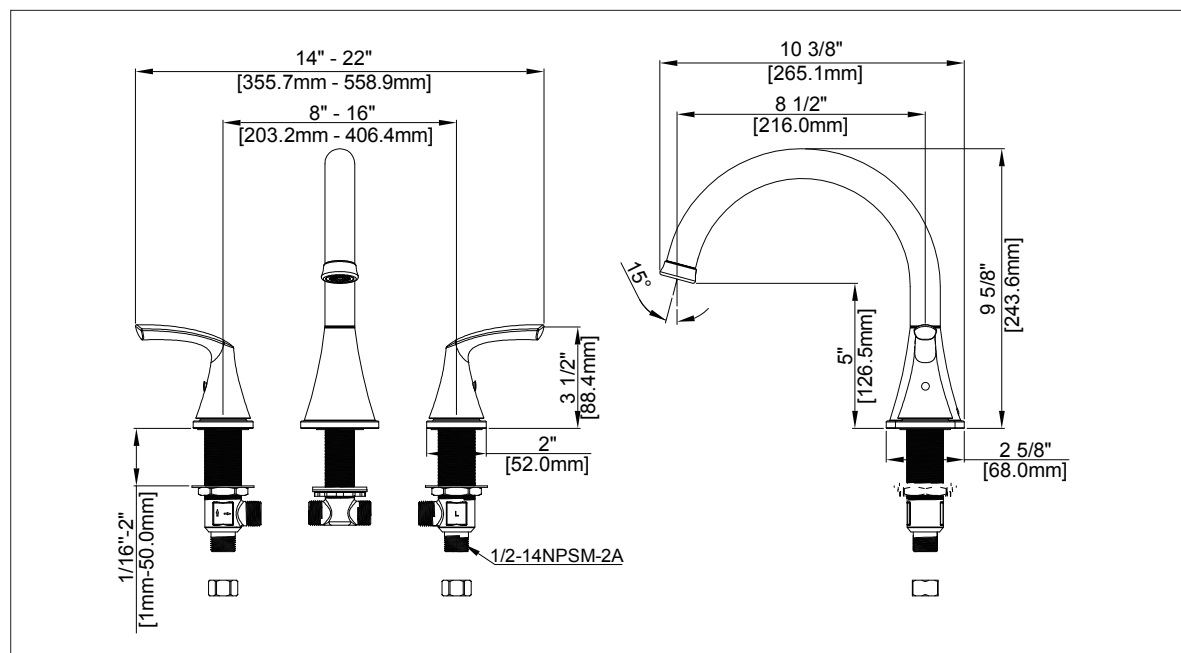
**AN-900ORB**

# 8" Two Handle Widespread Roman Tub Faucet

No.	Name	Part No.
1	Set screw / Tornillo de jación	RP50054
2	Index / Índice	RP10067*
3	Handle/ Llave	RP13539*
4	Index H / Índice H	RP10004
5	Index C / Índice C	RP10005
6	Bonnet / Capuchón	RP70001
7	Cartridge H / Cartucho H	RP20067
8	Cartridge C/ Cartucho C	RP20068
9	Flange / Brida	RP80306*
10	Flange Seat / Asiento de brida	RP70439
11	Rubber washer/ Arandela de hule	RP64023
12	Metal washer/ Arandela metálica	RP64024
13	Mounting Nut / TuerTuerca de montaje	RP56014
14	Coupling Nut / Tuerca de acoplamiento	RP56002
15	Mounting Nut / TuerTuerca de montaje	RP56087
16	Metal washer/ Arandela metálica	RP64036
17	Rubber washer/ Arandela metálica	RP64035
18	O-ring / Aro tórico	RP60094
19	Connector / Conector	RP70459
20	O-ring / Aro tórico	RP60056
21	Hose / Manguera	RP70042
22	Hex Allen Wrench / Hex Llave Allen	RP70332
23	Hex Allen Wrench / Hex Llave Allen	RP70221



\* Specify Finish  
\* Especificque el Acabado



**Product Spec Sheet**