

AN-720CJP
 AN-720ORBJP

AN-720BNJP

MATCO
NORCA

Single Handle Shower Only Trim Kit

Product Spec Sheet



FEATURES & BENEFITS

- Metal Lever Handle
- Metal Shower Arm And Shower Flange
- With Single Function Shower Head
- Max Flow Rate 1.8GPM(6.8L/Min)
At 80PSI

Approvals:

Meets or Exceeds The Following:

- * ASME A112.18.1/CSA B125.1
- * IAPMO/cUPC
- * EPA WaterSense

AN-720CJP
Chrome Finish

AN-720BNJP
Brushed Nickel Finish

AN-720ORBJP
Oil Rubbed Bronze Finish



TEL: 800-431-2082

FAX: 800-640-2252

Visit Our Web Site : www.matco-norca.com

AN-720CJP

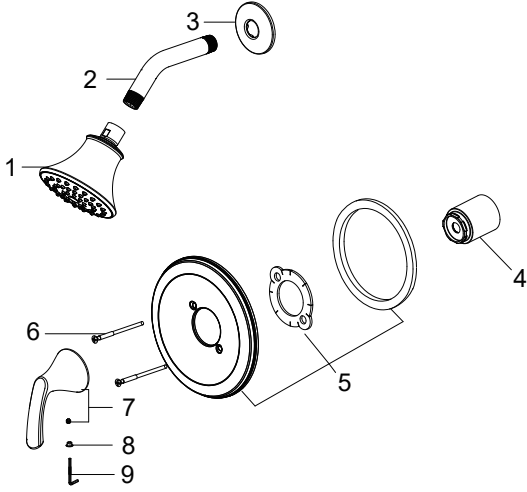
AN-720BNJP

**MATCO
NORCA™**

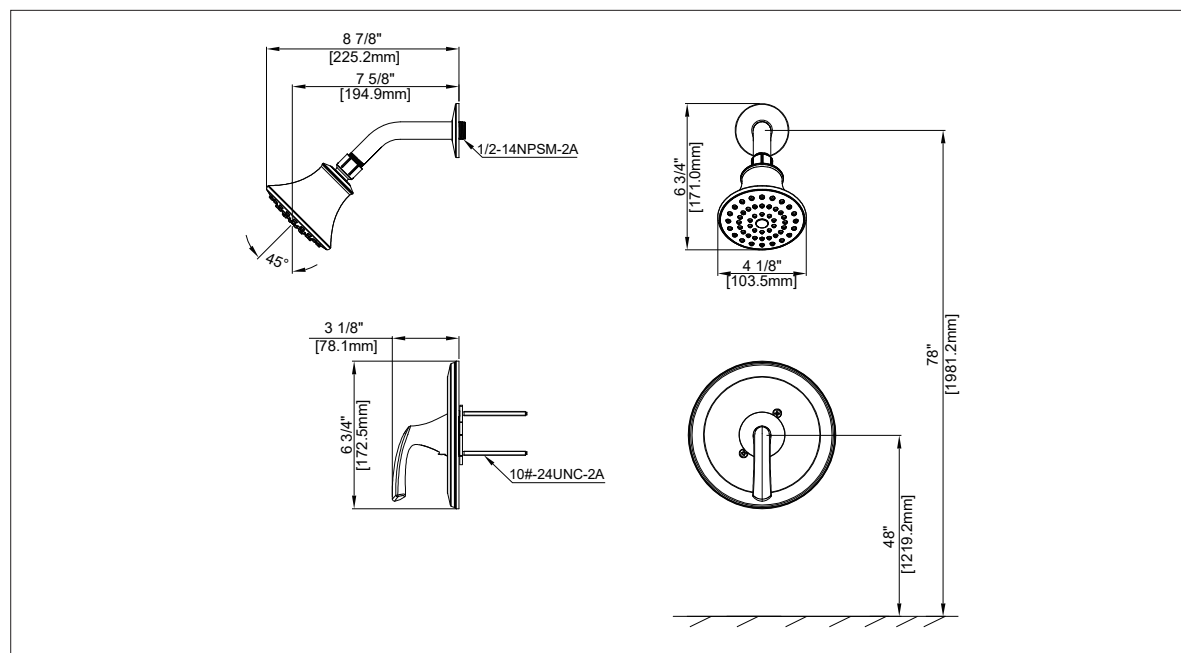
AN-720ORBJP

Single Handle Shower Only Trim Kit

No.	Name	Part No.
1	Shower head / <i>Cabezal de la ducha</i>	RP38335*
2	Shower arm / <i>Brazo de la ducha</i>	RP38019*
3	Shower flange / <i>Brida de la ducha</i>	RP38046*
4	Sleeve / <i>Funda</i>	RP80624*
5	Escutcheon / <i>Placa protectora</i>	RP80610*
6	Escutcheon screw / <i>Tornillo de la placa protectora</i>	RP50197*
7	Handle / <i>Llave</i>	RP13541*
8	Index / <i>Índice</i>	RP10073
9	Hex Allen Wrench / <i>Hex Llave Allen</i>	RP70221



* Specify Finish
* Especifique el Acabado



Product Spec Sheet

TEL: 800-431-2082

FAX: 800-640-2252

Visit Our Web Site : www.matco-norca.com