

**AN-320C**

**AN-320SS**



**AN-320ORB**

## **4" Two Handle Centerset Bar Faucet**

# Product Spec Sheet



### **FEATURES & BENEFITS**

- This Product Contains Less Than 0.25% Weighted Average Lead Content On Wetted Surfaces
- Metal Lever Handle
- Ceramic Cartridge
- Metal Pop-up
- Max Flow Rate 1.2GPM(4.5L/Min) At 60PSI (ASME A112.18.1/A112.18.1)

AN-320C  
Chrome Finish

AN-320SS  
Stainless Steel Finish

AN-320ORB  
Oil Rubbed Bronze Finish

### **Approvals:**

Meets or Exceeds The Following:

- \* ASME A112.18.1/CSA B125.1
- \* NSF/ANSI 61
- \* NSF/ANSI 372
- \* IAPMO/cUPC
- \* CA AB1953
- \* EPA WaterSense
- \* NSF/ANSI/CAN 61:  $Q \leq 1$



**TEL:** 800-431-2082

**FAX:** 800-640-2252

Visit Our Web Site : [www.matco-norca.com](http://www.matco-norca.com)

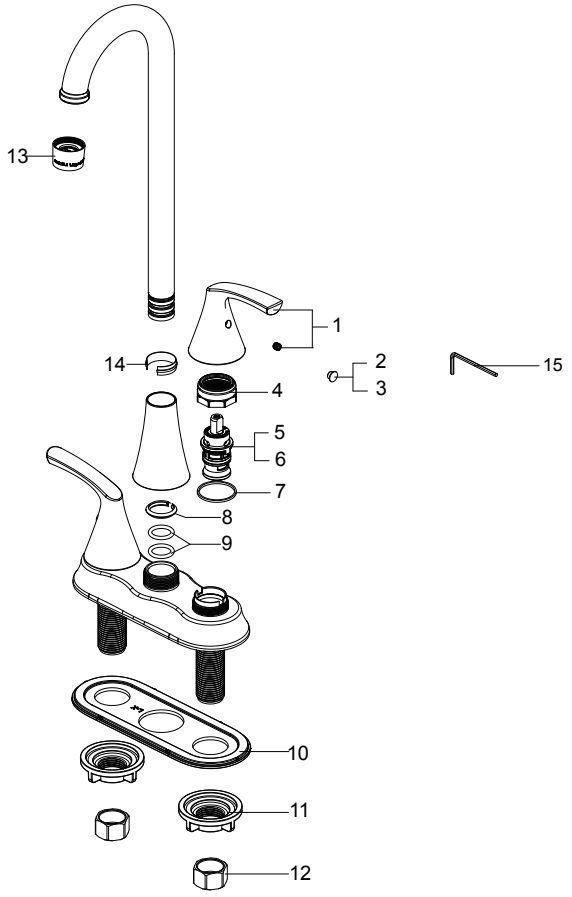
**AN-320C**

**AN-320SS**

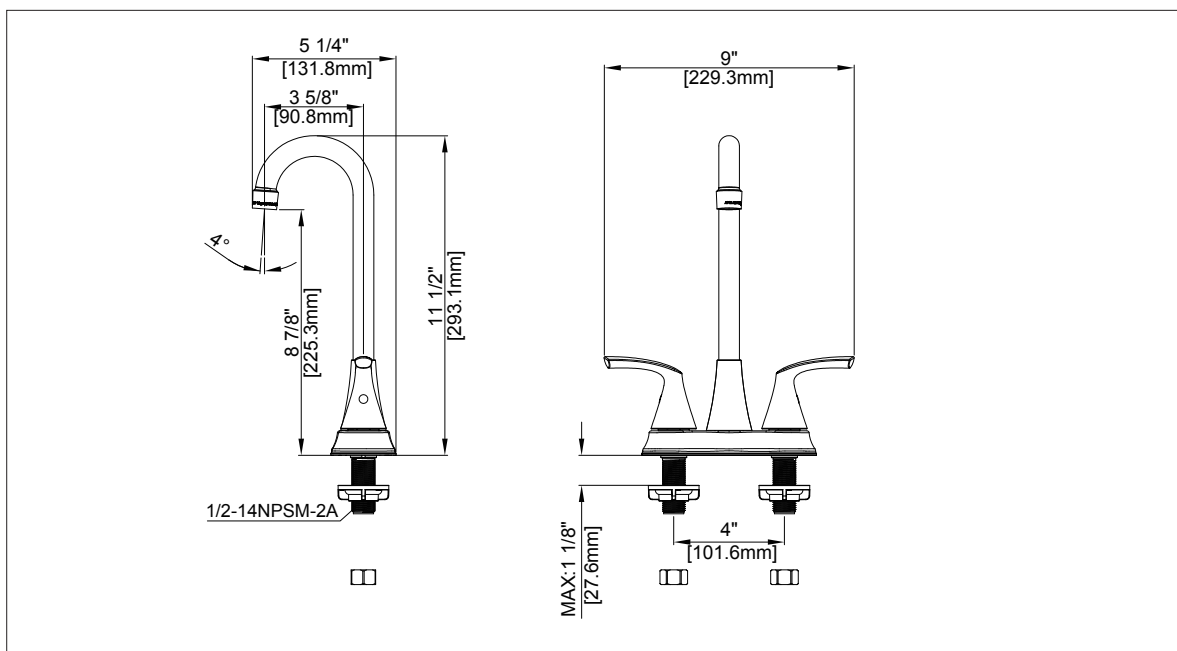
**AN-320ORB**

## 4" Two Handle Centerset Bar Faucet

No.	Name	Part No.
1	Handle / Llave	RP13540*
2	Index H / Índice H	RP10004
3	Index C / Índice C	RP10005
4	Bonnet / Capuchón	RP70435
5	Cartridge H / Cartucho H	RP20067
6	Cartridge C / Cartucho C	RP20068
7	Washer / Arandela	RP64123
8	Clip / Sujetador	RP70106
9	O-ring / Aro tórico	RP60008
10	Gasket / Junta	RP80634
11	Mounting Nut / TuerTuerca de montaje	RP56001
12	Coupling Nut / Tuerca de acoplamiento	RP56002
13	Aerator / Aireado	RP30267*
14	Washer / Arandela	RP70077
15	Hex Allen Wrench / Hex Llave Allen	RP70221



\* Specify Finish  
\* Especifique el Acabado



**Product Spec Sheet**