

**AN-151C**

**AN-151SS**

**AN-151ORB**

**MATCO**  
**NORCA**

## **Single Handle Pulldown Kitchen Faucet**

# Product Spec Sheet



### **FEATURES & BENEFITS**

- This Product Contains Less Than 0.25% Weighted Average Lead Content On Wetted Surfaces
- Metal Lever Handle
- Ceramic Cartridge
- Optional Deck Plate Included
- Max Flow Rate 1.8GPM(6.8L/Min) At 60PSI (ASME A112.18.1/A112.18.1)

AN-151C  
Chrome Finish

AN-151SS  
Stainless Steel Finish

AN-151ORB  
Oil Rubbed Bronze Finish

### **Approvals:**

Meets or Exceeds The Following:

- \* ANSI/ASME A112.18.1/A112.18.1
- \* NSF/ANSI 61 - Sec. 9
- \* NSF/ANSI 372
- \* IAPMO/cUPC
- \* CA AB1953
- \* NSF/ANSI/CAN 61:  $Q \leq 1$



**TEL:** 800-431-2082

**FAX:** 800-640-2252

Visit Our Web Site : [www.matco-norca.com](http://www.matco-norca.com)

**AN-151C**

**AN-151SS**

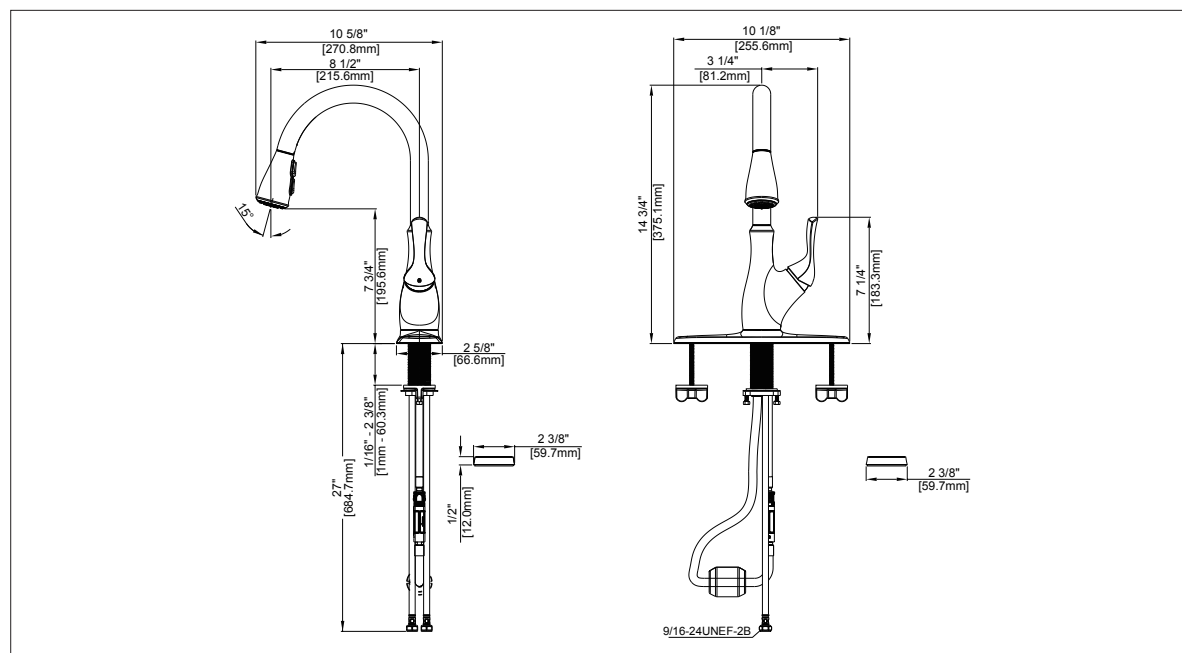
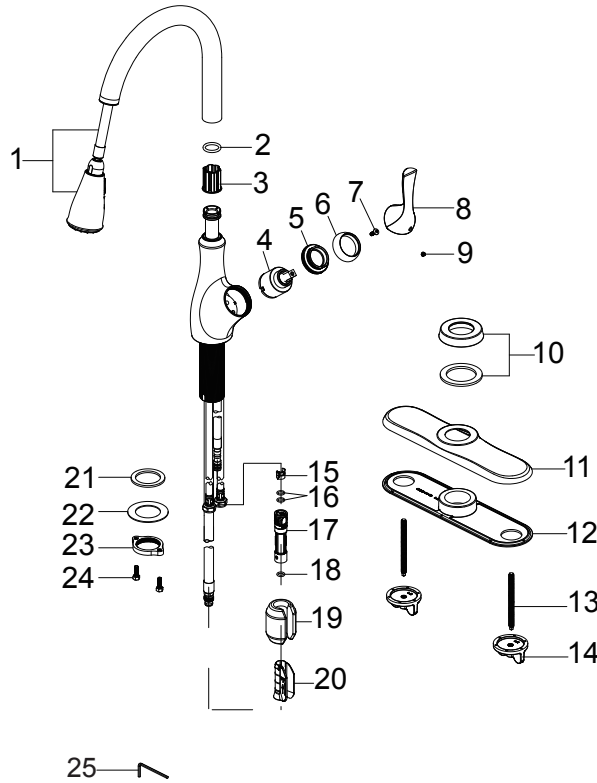
**MATCO  
NORCA**

**AN-151ORB**

# Single Handle Pulldown Kitchen Faucet

No.	Name	Part No.
1	Spray head and Hose / Cabezal rociador y manguera	RP38241*
2	O-ring / Aro tórico	RP60071
3	Wearable ring / Anillo de uso	RP70380
4	Cartridge / Cartucho	RP20005
5	Bonnet / Bonete	RP70394
6	Cap / Tapa	RP80028*
7	Screw / Tornillo	RP50015
8	Handle / Llave	RP13390*
9	Set screw / Tornillo de jación	RP50002
10	Flange / Brida	RP80463*
11	Escutcheon / Placa protectora	RP80461*
12	Gasket / Junta	RP80462
13	Bolt / Perno	RP50071
14	Mounting nut / Tuerca de montaje	RP56036
15	Block / Bloque	RP70421
16	O-ring / Aro tórico	RP60002
17	Quick connect assembly / Ensamblaje del conector rápido	RP70429
18	O-ring / Aro tórico	RP60089
19	Weight / Peso	RP70441
20	Weight clip / Sujetador con peso	RP64204
21	Rubber washer / Arandela de goma	RP64023
22	Metal washer / Arandela metálica	RP64024
23	Nut / Tuerca	RP56075
24	Screw / Tornillo	RP50004
25	Hex Allen Wrench / Hex Llave Allen	RP70221

\* Specify Finish  
\* Especificque el Acabado



**Product Spec Sheet**

TEL: 800-431-2082

FAX: 800-640-2252

Visit Our Web Site : [www.matco-norca.com](http://www.matco-norca.com)