

1/4" – 2"

759 Brass Ball Valve

Specification Sheet

FEATURES & BENEFITS

- Full Port
- Forged Brass
- Two Piece Body
- Blow-Out Proof Stem
- Chrome Plated Solid Brass Ball
- Thread Ends Comply Per ANSI B1.20.1
- Conforms to MSS-SP-110
- 600 WOG - 150 SWP 1/4" - 2"
- 400 WOG - 150 SWP 2-1/2" - 4"
- CSA Gas Approved to 2" (IPS Only)

APPLICATIONS:

Commercial & Light Industrial/ Steam, Water, Oil, Gas, Air



IPS DIMENSIONS

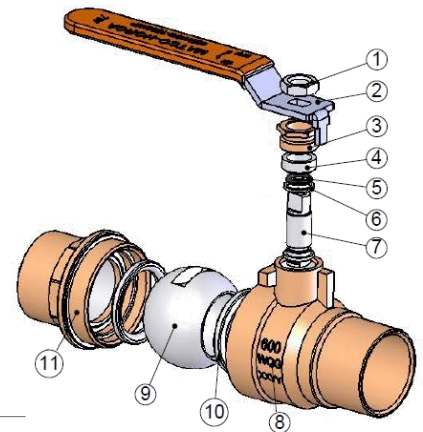
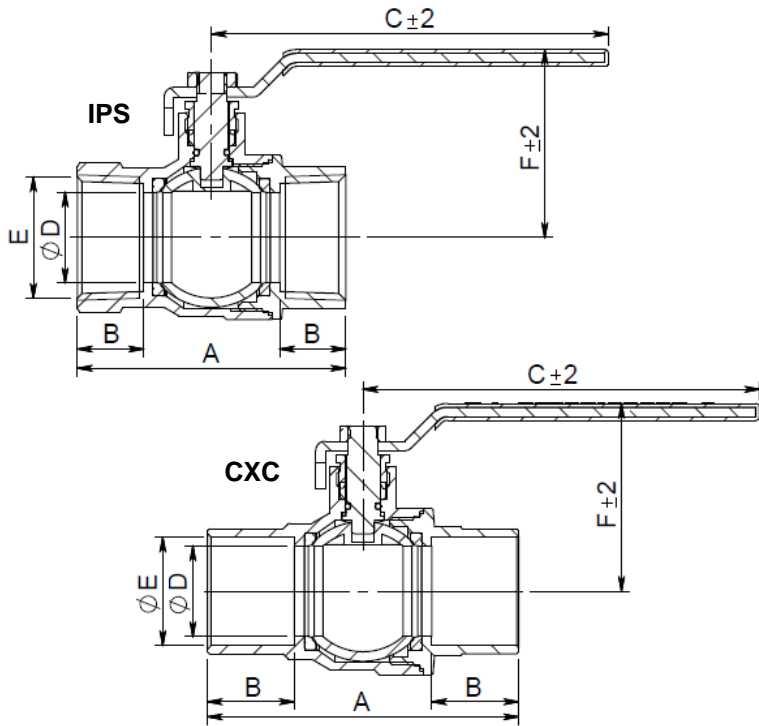
Part #	Size	A	B	C	D	E	F
759T01	1/4"	1.73	0.45	3.07	Ø0.39	18NPT	1.44
759T02	3/8"	1.73	0.45	3.07	Ø0.39	18NPT	1.44
759T03	1/2"	2.05	0.55	3.07	Ø0.51	14NPT	1.53
759T04	3/4"	2.30	0.57	4.13	Ø0.71	14NPT	1.78
759T05	1"	2.79	0.69	4.13	Ø0.94	11.5NPT	1.95
759T06	1-1/4"	3.15	0.69	4.92	Ø1.20	11.5NPT	2.49
759T07	1-1/2"	3.50	0.71	4.92	Ø1.45	11.5NPT	2.66
759T08	2"	4.19	0.75	7.08	Ø1.95	11.5NPT	3.21

CxC DIMENSIONS

Part #	Size	A	B	C	D	E	F
759C03	1/2"	1.97	0.49	3.07	Ø0.51	Ø0.63	1.53
759C04	3/4"	2.71	0.75	4.13	Ø0.70	Ø0.88	1.78
759C05	1"	3.24	0.90	4.13	Ø0.94	Ø1.13	1.95
759C06	1-1/4"	3.62	0.92	4.92	Ø1.20	Ø1.38	2.49
759C07	1-1/2"	4.29	1.10	4.92	Ø1.45	Ø1.63	2.66
759C08	2"	5.35	1.34	7.08	Ø1.95	Ø2.13	3.21

MATERIAL SPECIFICATIONS

No.	Part	Material
1	Hex Nut	Steel
2	Handle	Steel
3	Packing Nut	Brass
4	Packing Gland	PTFE
5	O-Ring	EPDM
6	Washer	PTFE
7	Stem	Brass C36000
8	Bonnet	Brass C37700
9	Ball	Brass
10	Seat	PTFE
11	Body	Brass C37700



MATCO
NORCA

2-1/2" - 4"

759 Brass Ball Valve

Specification Sheet

FEATURES & BENEFITS

- Full Port
- Forged Brass
- Two Piece Body
- Blow-Out Proof Stem
- Chrome Plated Solid Brass Ball
- Thread Ends Comply Per ANSI B1.20.1
- Conforms to MSS-SP-110
- 600 WOG - 150 SWP 1/4" - 2"
- 400 WOG - 150 SWP 2-1/2" - 4"
- CSA Gas Approved to 2" (IPS Only)

APPLICATIONS:

Commercial & Light Industrial/ Steam, Water, Oil, Gas, Air

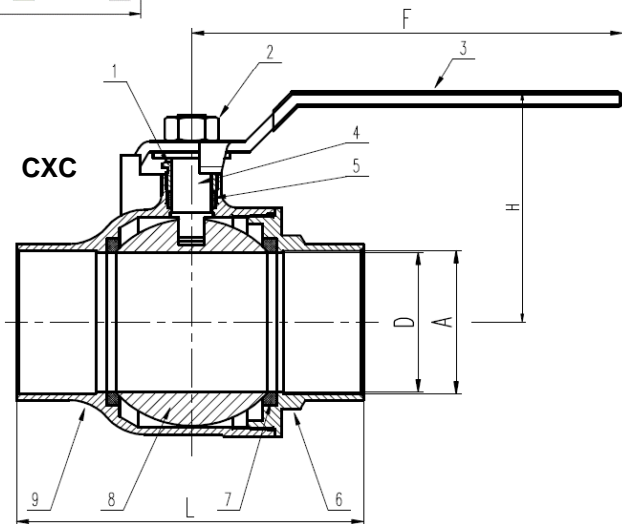
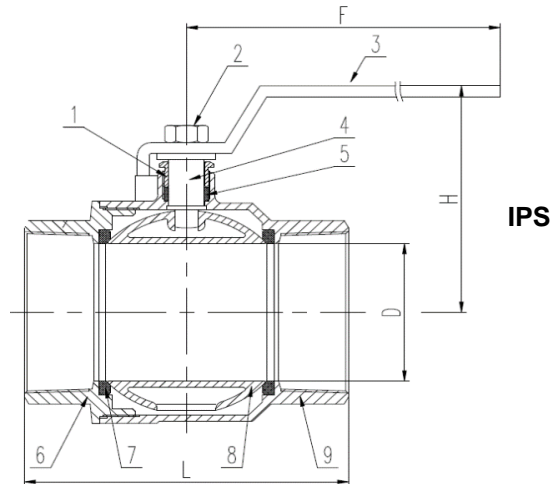


IPS DIMENSIONS

Part #	Size	L	D	H	F
759T09	2-1/2"	5.99	Ø2.56	4.59	9.06
759T10	3"	6.50	Ø2.96	4.87	9.06
759T11	4"	7.76	Ø3.90	5.67	10.01

CxC DIMENSIONS

Part #	Size	L	D	A	H	F
759C09	2-1/2"	6.38	Ø2.56	Ø2.63	4.24	7.92
759C10	3"	7.17	Ø2.96	Ø3.13	5.04	9.89
759C11	4"	9.22	Ø3.90	Ø4.13	5.71	9.89



MATERIAL SPECIFICATIONS

No.	Part	Material
1	Gland Nut	Brass
2	Hex Nut	Steel
3	Handle	Steel
4	Stem	Brass
5	Stem Packing	PTFE
6	End Cap	Brass
7	Seat	PTFE
8	Ball	C.P. Brass
9	Body	Brass



759 Brass Ball Valve With Locking Handle

Specification Sheet

FEATURES & BENEFITS

- Full Port
- Forged Brass
- Two Piece Body
- PTFE Seats
- Blow-Out Proof Stem
- Thread Ends Comply Per ANSI B1.20.1
- Conforms to MSS-SP-110
- 2" - 4" Rated: 600 PSI Non- Shock
CWP - 150 PSI SWP
- CSA Gas Approved to 2" (IPS Only)



APPLICATIONS:

Commercial & Light Industrial/ Steam, Water, Oil, Gas, Air

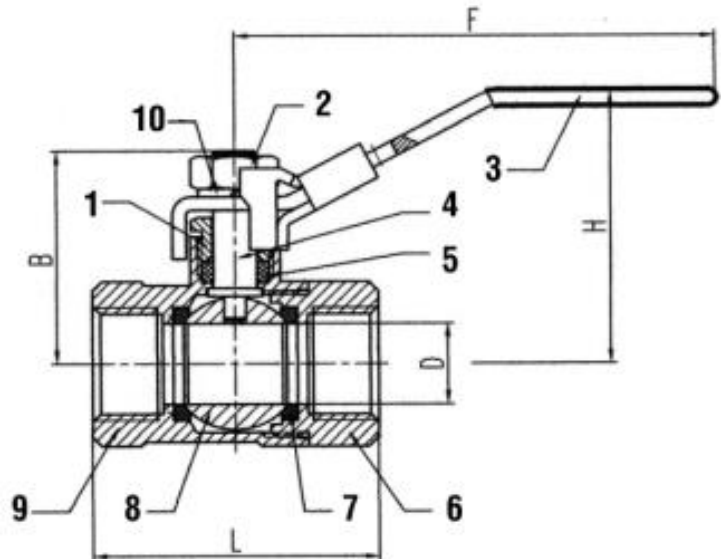
DIMENSIONS

Size	L	D	H	F	B
2"	4.41	1.97	3.45	5.91	2.96
2-1/2"	5.99	2.56	4.59	9.06	3.78
3"	6.50	2.96	4.87	9.06	4.10
4"	7.76	3.90	5.67	10.01	4.94

Locking Handles Ordered
Separate. They Do Not
Come Assembled

MATERIAL SPECIFICATIONS

No.	Part	Material
1	Gland Nut	Brass
2	Hex Nut	Steel
3	Handle	Steel
4	Stem	Brass
5	Stem Packing	PTFE
6	End Cap	Brass
7	Seat	PTFE
8	Ball	C.P. Brass
9	Body	Brass
10*	Lock Washer	Steel



*Not present on 2-1/2" valves

MATCO
NORCA

759 Brass Ball Valve With Tee Handle

Specification Sheet

FEATURES & BENEFITS

- Full Port
- Forged Brass
- PTFE Seats
- Blow-Out Proof Stem
- Chrome Plated Solid Brass Ball
- Thread Ends Comply Per ANSI B1.20.1
- Conforms to MSS-SP-110
- 1/2" - 1" Rated: 600 PSI Non- Shock
CWP - 150 PSI SWP
- CSA Gas Approved to 2" (IPS Only)



APPLICATIONS:

Commercial & Light Industrial/ Steam, Water, Oil, Gas, Air

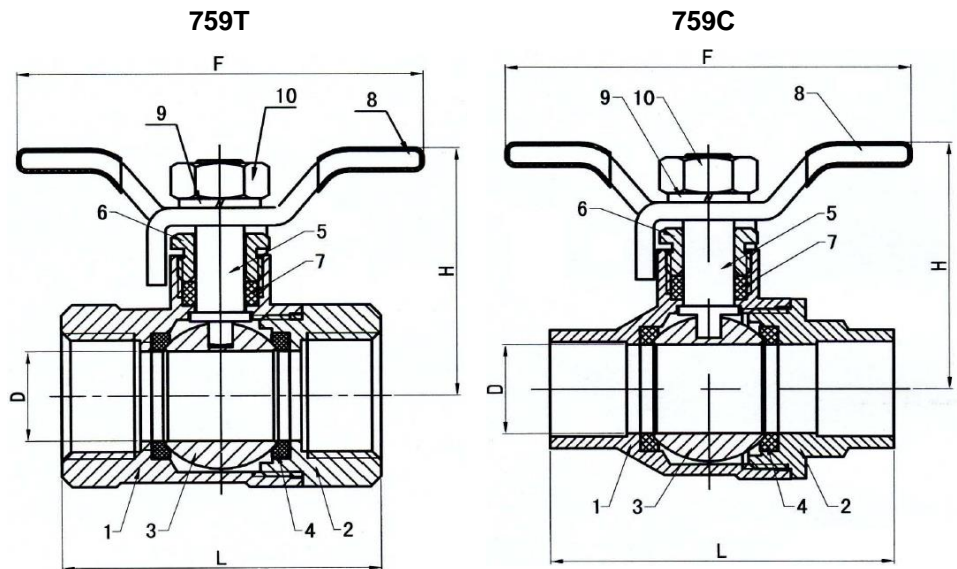
DIMENSIONS

Part # IPS	Size	L	H	D	F
759T01T	1/4"	1.69	1.48	.39	2.92
759T03T	1/2"	2.07	1.62	0.59	2.92
759T04T	3/4"	2.38	1.97	0.75	3.43
759T05T	1"	2.90	2.13	0.99	3.43

Part # CxC	Size	L	H	D	F
759C03T	1/2"	2.25	1.62	0.59	2.92
759C04T	3/4"	2.82	1.97	0.75	3.43
759C05T	1"	3.31	2.13	0.99	3.43

MATERIAL SPECIFICATIONS

No.	Part	Material
1	Body	Brass C37700
2	End Cap	Brass C37700
3	Ball	Brass C37700
4	Seat	PTFE
5	Stem	Brass C37700
6	Gland Nut	Brass C37700
7	Stem Packing	PTFE
8	Handle	Steel
9	Lock Washer	Brass C37700
10	Hex Nut	Brass C37700



MATCO
NORCA

759TS Ball Valve With Thumb Grip Handle

Specification Sheet

FEATURES & BENEFITS

- Full Port
- Forged Brass
- PTFE Seats
- Blow-Out Proof Stem
- Chrome Plated Solid Brass Ball
- Thread Ends Comply Per ANSI B1.20.1
- Conforms to MSS-SP-110
- 1/2" - 1" Rated: 600 PSI Non- Shock
CWP - 150 PSI SWP
- CSA Gas Approved to 2" (IPS Only)



APPLICATIONS:

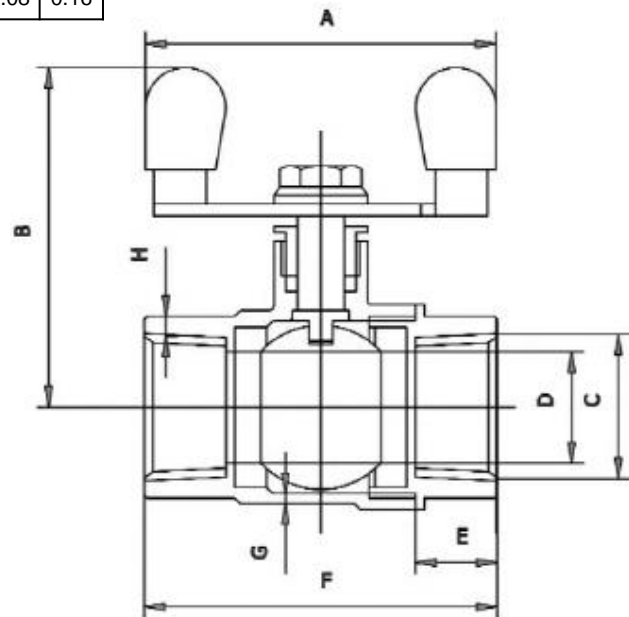
Commercial & Light Industrial/ Steam, Water, Oil, Gas, Air
Stainless Steel T Handle Is Excellent For Underground & Close Quarter Applications

DIMENSIONS

Part # (IPS)	Part # (Cx C)	Size	A	B	C	D	E	F	G	H
759T03TS	-	1/2"	2.05	1.46	0.83	0.59	0.51	2.07	0.07	0.17
759T04TS	759C04TS	3/4"	2.36	2.27	1.04	0.75	0.55	2.38	0.07	0.14
759T05TS	759C05TS	1"	2.20	2.43	1.30	0.98	0.68	2.89	0.08	0.16

MATERIAL SPECIFICATIONS

Part	Material
Nut	Stainless Steel GR316
Lock Washer	Stainless Steel GR316
Handle	Stainless Steel GR316
Packing Nut	Brass C377000
Packing	PTFE
Stem	Brass B124-C377000
Seat Ring	PTFE
Ball	C.P. Brass B124-C377000
End Cap	Forged Brass B124-C377000
Body	Forged Brass B124-C377000



MATCO
NORCA