

513 Bronze Gate Valve • Spec Sheet



FEATURES & BENEFITS

- 200 WOG - 125 SWP
- Full Port
- Non-rising Stem
- Threaded Ends Conform to ANSI Standards B2.1
- Valves are Tested in Accordance w/ MSS-SP-80
- Sizes 3/4" - 3"

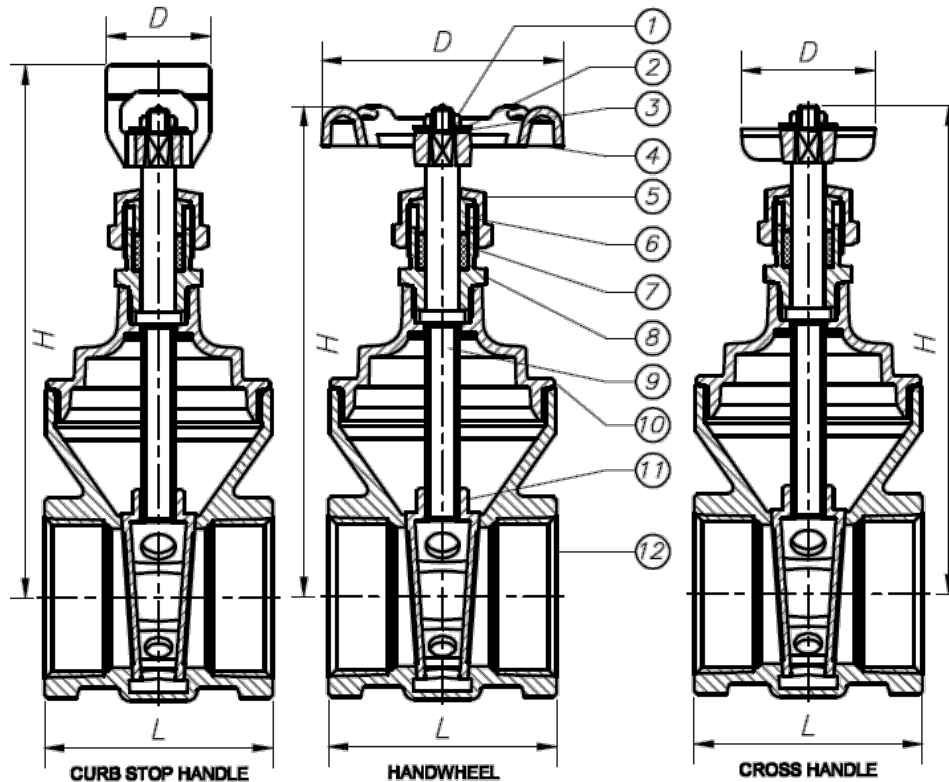
*Available with Bronze Wheel Handle, Cross Handle, and Curb Stop Handle

DIMENSIONS

Part #	Size	L	H	D
513T04	3/4"	2.05	3.94	2.50
513T05	1"	2.42	4.73	3.25
513T06	1-1/4"	2.62	5.24	3.25
513T07	1-1/2"	2.90	6.50	4.33
513T08	2"	3.07	8.12	4.33
513T08CS	2"	3.07	8.63	2.40
513T08X	2"	3.07	8.04	2.40
513T09X	2-1/2"	4.10	8.79	2.40
513T10X	3"	4.49	10.01	2.40

MATERIAL SPECIFICATIONS

No.	Part	Material
1	Wheel Nut	Hot Rolled SAE 1010R
2	Name Plate	Aluminum
3	Washer	Bronze C83600
4	Hand Wheel	Bronze C83600
5	Packing Nut	Bronze C83600
6	Gland Ring	BrassC37700
7	Gland Packing	Graphite
8	Locknut	Bronze C83600
9	Stem	BrassC37700
10	Bonnet	Bronze C83600
11	Disc	Bronze C83600
12	Body	Bronze C83600



CALIFORNIA 5593 Fresca Dr., La Palma CA 90623

TEXAS 1150 Silber Rd., Houston TX 77055

ILLINOIS 278 Windy Point Dr., Glendale Heights, IL 60139

NEW YORK PO Box 27, Rt.22, Brewster NY 10509

WEB: www.matco-norca.com

• Phone: 866-532-8306 • Fax: 866-532-8307

• Phone: 800-935-5456 • Fax: 713-680-2999

• Phone: 844-412-5068 • Fax: 800-640-2252

• Phone: 800-431-2082 • Fax: 845-278-9056

EMAIL: mail@matco-norca.com