

# 503 Bronze Gate Valve

## Specification Sheet

### FEATURES & BENEFITS

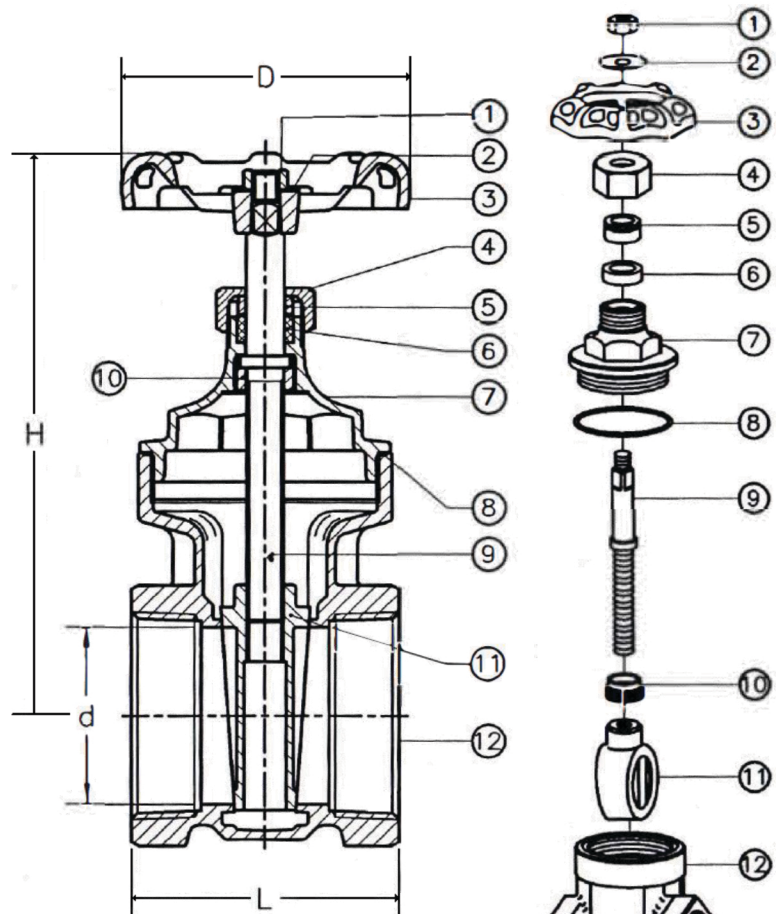
- Full Port
- Non-Rising Stem
- 300 WOG - 150SWP
- Threaded Bonnet
- Threaded Ends Comply with ASME B1.20.1
- Valves Comply with MSS SP-61 and MSS SP-80
- Sizes 1/2" - 4"

### DIMENSIONS

Part #	Size	d	D	H	L
503T03	1/2"	0.53	2.09	2.92	1.71
503T04	3/4"	0.75	2.13	3.31	1.81
503T05	1"	0.99	2.48	3.90	2.13
503T06	1-1/4"	1.26	2.72	4.61	2.25
503T07	1-1/2"	1.50	3.15	5.08	2.44
503T08	2"	1.93	3.53	5.99	2.70
503T09	2-1/2"	2.44	3.98	7.88	3.70
503T10	3"	2.96	4.37	8.87	4.02
503T11	4"	3.62	4.85	9.89	4.53

### MATERIAL SPECIFICATIONS

No.	Part	Material
1	Nut	Forged Brass C2600
2	Name Plate	Aluminum A1100
3	Handle	Cast Iron JIS ZZ2202
4	Packing Nut	Brass Rod C3770
5	Gland Ring	Brass Rod C3770
6	Packing	Graphite LK 33 NAFG
7	Bonnet	Cast Bronze C83600
8	Packing	FIBRE
9	Stem	1/2"-2" Brass Rod C37700 2-1/2"-4" Cast Bronze C83600
10	Lock Nut	Brass Rod C37700
11	Disc	Cast Bronze C83600
12	Body	Cast Bronze C83600



**MATCO**  
**NORCA**