

209LF Frost Free Sillcock • Spec Sheet



FEATURES & BENEFITS

- Lead Free Brass*
- 125 PSI
- ISO-9002
- NSF & UPC Approved
- 1/2" MIP & 1/2" Sweat X Hose
- 4" - 12" Length

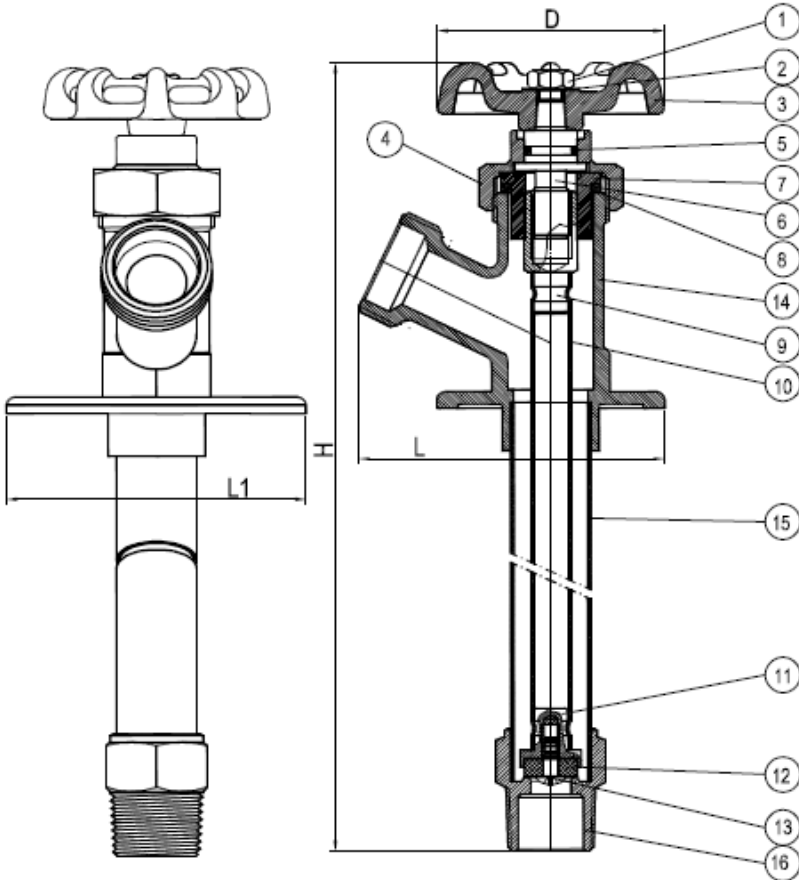
DIMENSIONS

Part #	Size	H	D	L	L1
209004LF	4"	8.20	2.13	2.72	2.80
209006LF	6"	10.24	2.13	2.72	2.80
209008LF	8"	12.14	2.13	2.72	2.80
209010LF	10"	14.18	2.13	2.72	2.80
209012LF	12"	16.08	2.13	2.72	2.80

MATERIAL SPECIFICATIONS

No.	Part	Material
1	Wheel Nut	Hot Rolled Wire Rods
2	Name Plate	Aluminum A 1070
3	Handle Wheel	Rod Carbon Steel SAE 1006
4	Bonnet	Brass C46400
5	O-Ring	Rubber SN-719F
6	Stem	Brass C46400
7	Packing	Plastic
8	Gland Packing	Rubber SN-719F
9	Stem House	Brass C46400
10	Stem Pipe	Brass C27000
11	Seat House	Rubber SN-719F
12	Seat Packing	Rubber SN-719F
13	Seat Screw	Brass JIS H3260 C2600W
14	Body	Brass C46400
15	Drain Pipe	Brass C27000
16	Drain Bolt	Brass C46400

*This product complies with 0.25% weighted average lead content on wetted surfaces in accordance with the Safe Drinking Water Act (SDWA) / Federal Public Law No. 111-380.



2094LF Frost Free Sillcock • Spec Sheet



FEATURES & BENEFITS

- Lead Free Brass*
- 125 PSI
- ISO-9002
- NSF & UPC Approved
- 3/4" MIP & 1/2" FIP X Hose
- 10" - 12" Length

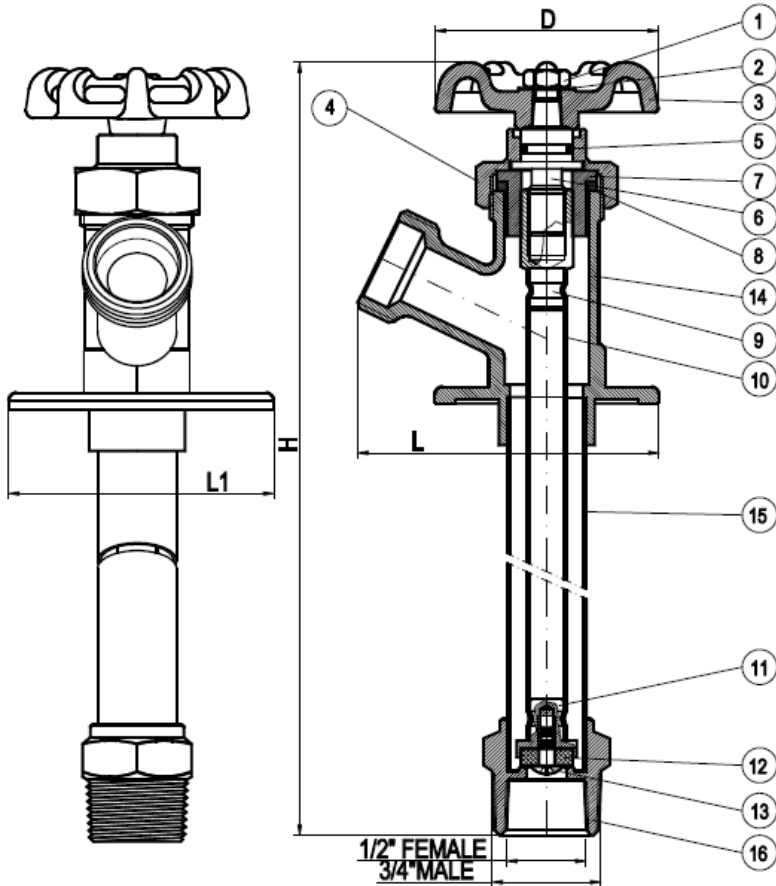
DIMENSIONS

Part #	Size	H	D	L	L1
209410LF	10"	14.18	2.13	2.72	2.80
209412LF	12"	16.08	2.13	2.72	2.80

MATERIAL SPECIFICATIONS

No.	Part	Material
1	Wheel Nut	Hot Rolled Wire Rods
2	Name Plate	Aluminum A 1070
3	Handle Wheel	Rod Carbon Steel SAE 1006
4	Bonnet	Brass C46400
5	O-Ring	Rubber SN-719F
6	Stem	Brass C46400
7	Packing	Plastic POM-M90
8	Gland Packing	Rubber SN-719F
9	Stem House	Brass C46400
10	Stem Pipe	Brass C26000
11	Seat House	Brass B124 C37700
12	Seat Packing	Rubber SN-719F
13	Seat Screw	Brass JIS H3260 C2600W
14	Body	Brass C46400
15	Drain Pipe	Brass C26000
16	Drain Bolt	Brass C46400

*This product complies with 0.25% weighted average lead content on wetted surfaces in accordance with the Safe Drinking Water Act (SDWA) / Federal Public Law No. 111-380.



MATCO
NORCA