

145 Bronze Y Strainer Spec Sheet

FEATURES & BENEFITS

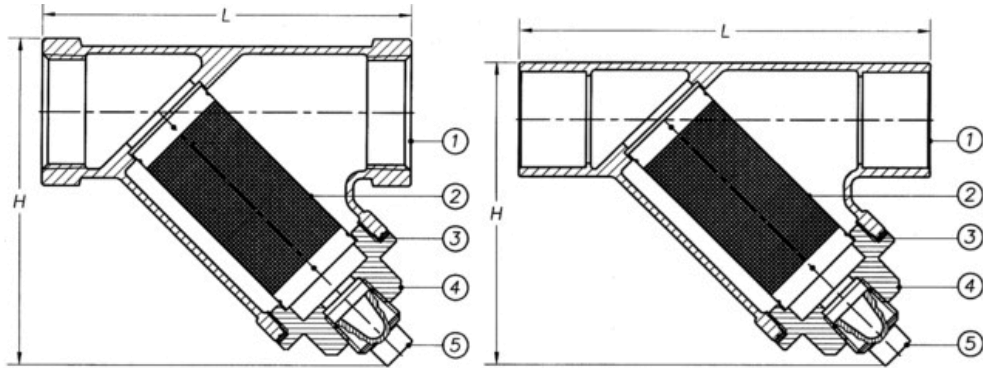
- 300 WOG-150 SWP
- Heavy Duty Bronze Body
- 20 Mesh Stainless Steel Screen
- Screwed Cap with Plug
- Threaded Ends Comply with ANSI B2.1
- Solder Ends Comply with ANSI B16.18
- Sizes 1/4" - 3"

APPLICATIONS: Install on water-flow prior to valves, pumps, meters, etc, to protect them from rust, dirt and other water debris in the water line.



MATERIAL SPECIFICATIONS

No.	Part	Material
1	Body	Bronze B584 C84400
2	Filter	Stainless Steel 304
3	Packing	Fibre "H"
4	Bonnet	Bronze B584 C84400
5	Plug	Bronze B584 C84400



IPS

CxC

DIMENSIONS & FLOW RATE

Part# IPS	Part # CxC	Size	H IPS	L IPS	Flow Rate (GPM/25 PSI) IPS	Pressure Drop (PSI) IPS	Max. Temp. (°F) IPS	H CxC	L CxC	Flow Rate (GPM/25 PSI) CxC	Pressure Drop (PSI) CxC	Max. Temp. (°F) CxC	Tap Size
145T01	145C01	1/4"	3.03	3.21	11.09	10	400	2.82	3.35	11.09	10	400	3/8"
145T02	145C02	3/8"	3.03	3.23	12.95	10	400	2.82	3.41	12.95	10	400	3/8"
145T03	-	1/2"	3.01	3.23	16.32	10	400	2.84	3.43	16.32	10	400	3/8"
145T04	-	3/4"	3.49	3.94	30.95	10	400	3.27	4.31	30.97	10	400	3/8"
145T05	145C05	1"	4.03	4.53	53.07	10	400	3.78	5.10	53.07	10	400	1/2"
145T06	-	1-1/4"	4.71	5.34	87.90	10	400	4.37	5.91	87.90	10	400	1/2"
145T07	145C07	1-1/2"	5.02	6.21	122.09	10	400	4.83	6.90	122.09	10	400	1/2"
145T08	145C08	2"	6.15	7.45	142.15	10	400	5.91	8.63	147.15	10	400	1/2"
145T09	-	2-1/2"	7.23	8.94	268.80	10	400	-	-	-	-	-	1/2"
145T10	-	3"	7.86	10.01	318.10	10	400	-	-	-	-	-	1/2"



145 Bronze Y Strainer Spec Sheet

SCREEN DIMENSIONS

DIMENSIONS

Size	D	H
1/4" – 1/2"	0.80	1.95
3/4"	0.98	2.34
1"	1.15	2.66
1-1/4"	1.43	3.16
1-1/2"	1.78	3.59
2"	2.21	4.81
2-1/2"	2.76	5.44
3"	3.25	6.17

