

VALVES

Product Catalog



Table of Contents

| | | | | |
|-------------------------------|---------------------------------------|--------------------------------------|---------------------------------|--|
| A | Butterfly Valve Part Breakdown.....60 | E | Cast Iron.....49 | Slip Nuts.....28 |
| Air Valve.....29 | | Eccentric Plug Valve.....51 | Cast Steel.....42 | Spring Loaded Check Valve.....18 |
| Angle Control Valve.....9 | | Escutcheons & Keys.....11 | Forged.....40 | Stainless Steel Ball Valves |
| Angle Valve.....21, 28-33 | | Evaporator Cooler Float Valve....34 | Hard Seat.....9 | Flanged.....38 |
| Aztec | C | | Long Bonnet.....9 | One Piece.....7, 36 |
| Boiler Drain.....22 | Carbon Steel Ball Valves | F | Soft Seat.....9, 21 | Threaded.....36 |
| Garden Valve.....22 | Flanged.....38 | Flanges.....35, 56 | Stainless Steel.....40, 43 | Three Piece.....38 |
| Hose Bibb.....23 | Three Piece.....37 | Float Rod.....34 | Stop & Waste.....21 | Two Piece.....36 |
| Low Pressure Valves.....22-23 | Two Piece.....38 | Float Valve.....34 | Stops.....21 | |
| Pex Sillcocks.....22 | Cast Iron Swing Check Valves...52-53 | Foot Valve.....18 | | Stainless Steel Check Valve.... 41, 43 |
| Sillcocks.....22-23 | Cast Iron Flanges.....56 | Forged Carbon Steel Valves | | Stainless Steel Gate Valve..... 39, 43 |
| | Cast Iron Gate Valve.....47-50 | Check Valves.....41 | | Stainless Steel Y Strainer.....43 |
| | Cast Iron Globe Valve.....49 | Gate Valves.....39 | | Steam Air Vents.....29 |
| | Cast Steel Flanged Valves.....42 | Globe Valves.....40 | | Steam Valves.....28-29 |
| B | Check Valves | Forged Stainless Steel Valves | H | Stop Valves |
| Back Flow Preventers.....19 | AWWA.....53 | Check Valves.....41 | Hose Bibb.....23-25 | Brass.....21 |
| Balancing Valves.....35 | Brass.....17 | Gate Valves.....39 | | Globe.....21 |
| Ball Drip Valve.....19 | Bolted Bonnet.....41-42 | Globe Valves.....40 | I | Sump Pump Check Valve.....18 |
| Ball Valves | Bronze.....17, 53 | Frost Free Sillcock.....23, 27 | Industrial Valves.....36-43 | |
| Carbon Steel.....37-38 | BUNA-N Seat.....17, 53 | | Inline Check Valve.....18 | |
| Cast Brass.....8 | Carbon Steel.....41 | G | | |
| Cast Bronze.....8 | Cast Iron.....52 | Garden Valves.....26 | L | |
| Compression Ends.....7 | Cast Brass.....17 | Gaskets.....57 | Log Lighters - CSA.....11 | |
| Cold Expansion.....5, 8 | Cast Bronze.....17 | Gas Valves | Loose Key Valve.....22, 31 | |
| CPVC.....13 | Cast Steel.....42 | One Piece - CSA/UL.....10 | | Supply Valves |
| CSA.....4-6 | Ductile Iron.....53 | Two Piece - CSA/ UL.....10 | M | MULTI TURN |
| Drain Cap.....8 | Flanged.....42, 52-53 | Log Lighter - CSA.....11 | Meter Valve.....34 | Angle.....30-31 |
| Drop Ear.....8 | Forged.....41 | | MJ Accessory Sets.....58 | Compression.....30-31 |
| Flanged.....7, 38 | Full Port.....42 | Gate Valves | No Kink | Dual Compression.....30-31 |
| Forged Brass.....4-8, 37 | Horizontal Pattern.....17 | ANSI.....14 | Valve.....23 | Pex Compression.....30-31 |
| Full Port.....4-8, 36-38 | IBBM.....52 | Bronze.....15 | Hose Bibb.....24 | Straight.....30-31 |
| Gas.....10 | Inline.....18 | Bolted Bonnet.....39, 42 | | QUARTER TURN- OVAL HANDLES |
| Heavy Duty.....6 | One Piece.....18 | BUNA.....46 | O | Angle.....32-33 |
| Hose Bibb.....24 | OS&Y.....53 | Carbon Steel.....39 | Oil Barrel Faucet.....35 | Compression.....32-33 |
| Locking Handles.....4, 36-38 | PVC.....18 | Cast Brass.....14 | Oil Tank Valve.....35 | Dual Compression.....32-33 |
| Long Bonnet.....7 | Reduced Port.....41 | Cast Iron.....47-48 | Operating Nuts.....59 | Pex Compression.....32-33 |
| Male X Female.....4, 8 | Spring Loaded.....18 | Cast Steel.....42 | | Straight.....32-33 |
| NPT.....36-38 | Stainless Steel.....18, 41 | Compression Ends.....14 | P | Swing Check Valve..17, 41-43, 52-53 |
| NSF.....12-13 | Sump Pump.....18 | CPVC Stub-Outs.....14 | Plug Valve.....51 | SVF Valves.....36-43 |
| One Piece.....4-8, 36 | Swing.....17, 41-43, 52-53 | Cross Handle.....14 | Post Indicators.....45 | |
| Pex Ends.....5, 8 | Trim 8.....41 | Crown Handle.....14-15 | Press Ball Valve.....5 | |
| Press.....5 | UL/FM.....53 | Ductile Iron.....44-46, 50 | Push Connect Ball Valve.....6 | |
| Push Connect.....6 | Wafer Style.....54 | Federal Specification.....15 | PVC Flanges.....56 | |
| PVC.....12-13 | Y Pattern.....17 | Flanged.....42, 44, 46-47, 50 | PVC Valves | |
| Reduced Port.....36 | Circulator Flange Kit.....35 | Forged.....39 | Ball Valves.....12-13 | |
| SS Cross Handles.....7 | Coin Key Valves.....29 | Heavy Pattern.....15 | Check Valves.....18 | |
| SS Thumb Grip Handles.....4 | Companion Flanges.....56 | IAPMO.....14 | | |
| Stainless Steel.....7, 36, 38 | Convector Valve.....29 | Flanged x MJ.....45 | Q | |
| Standard Port.....7-8 | CPVC Ball Valve.....13 | Flanged x Push-On.....45 | Quick Opening Gate Valve.....15 | |
| Tee Handles.....4, 8 | | Full Port.....14-15, 42 | | |
| Three Piece.....37-38 | D | Mechanical Joint.....44, 46 | R | |
| Two Piece.....36-37 | Drain Valve.....29 | NPT.....39 | Radiator Valves | |
| UL/FM.....4, 6 | Drip Valve.....19 | NRS.....14-15, 44-48 | Angle Valve.....28-29 | |
| Uni-Flange.....7 | Ductile Iron Valves | OS&Y.....15, 50 | Hot Water Radiator.....29 | |
| UPC.....4-6, 8 | AWWA.....44-46, 50 | Push-On X Push-On.....45 | Radiator Gate Valve.....28 | |
| With Waste Drain.....5, 8 | Check Valves.....53 | Reduced Port.....39 | Steam Radiator.....28 | |
| Boiler Drains.....20 | Flanged.....44-46, 50 | Resilient Wedge.....44-47, 50 | | |
| Bolt & Gasket Sets.....57 | Flanged x MJ.....45 | Ring Tite.....46 | S | |
| Butterfly Valves | Flanged x Push-On.....45 | Rising Stem.....15 | Sillcocks | |
| B1 - PVC Wafer Style.....61 | Mechanical Joint.....44, 46 | Stainless Steel.....39, 43 | Aztec.....22-23 | |
| B1 - Parts.....61 | NRS.....44-46 | Steam.....28 | Brass.....26 | |
| B5 - Wafer Style.....62 | OS&Y.....50 | Trim 8.....39, 42 | Cold Expansion.....26-27 | |
| B5 - Lug Style.....62 | Post Indicator Attachments...45 | UL/FM.....44-45, 50 | Frost Free.....27 | |
| B5 - Parts.....63 | Push-On X Push-On.....45 | USC.....47, 50 | With Pex Ends.....26-27 | |
| B6 - Wafer Style.....64 | Resilient Wedge.....44-46, 50 | Wheel Handle.....14-15 | With Vacuum Breaker.....26 | |
| B6 - Lug Style.....64 | Ring Tite.....46 | With Drain.....14 | | |
| B6 - Parts.....65 | Rising Stem.....50 | | | |
| B7 - Wafer Style.....65 | UL/FM.....44-45, 50 | Globe Valves | | |
| | | Carbon Steel.....40 | | |

Copyright ©2024 by MATCO-NORCA Incorporated.
Reproduction or duplication of the contents herein prohibited
without permission.

MATCO-NORCA reserves the right to change products depicted herein at
any time, and accepts no liability for errors or omissions.

Certifications and Approvals

Matco-Norca is committed to maintaining a high standard of quality for all the products we offer. Most products in this catalog are labeled with a designated approval or certification code. Below is a brief description of these approvals.



ADA American Disabilities Act — Protecting the rights of people with physical or mental disabilities.



ANSI American National Standards Institute — Organization that coordinates work among U.S. Standards writing groups; Works in conjunction with other groups such as ISO, ASME, ASTM, etc.



ASME American Society of Mechanical Engineers — Develops standards and testing criteria for finished products.



ASSE American Society of Sanitary Engineering — Develops standards and qualifies products for plumbing and sanitary installations.



ASTM American Society for Testing Materials — Develops standards for materials, products, systems and services.



AWWA American Water Works Association — Promotes public health through improvement of water quality. Develops standards for valves, fittings and equipment.



CSA The CSA Group (formerly the Canadian Standards Association; CSA) — is a global organization dedicated to safety, social good and sustainability. They are a leader in Standards Development and in Testing, Inspection and Certification around the world including Canada, the U.S., Europe and Asia. Their mandate is to hold the future to a higher standard.



CEC California Energy Commission — As the state's primary energy policy and planning agency, the California Energy Commission is committed to reducing energy costs and environmental impacts of energy use - such as greenhouse gas emissions - while ensuring a safe, resilient, and reliable supply of energy.



EPA EPA WaterSense® — A U.S. Environmental Protection Agency (EPA) program designed to encourage water efficiency in the United States through the use of a special label on consumer products.



FM Factory Mutual — Develops standards and qualifies products for use by the general public.



ISO International Organization for Standardization — Develops voluntary, consensus-based, market relevant International Standards that support innovation and provide solutions to global challenges. More specifically, ISO 9001 sets out the criteria for a quality management system and is the only standard within the family that can be certified to.



MSS Mechanics Standardization Society of the Valves & Fittings Industry, Inc. — A committee of manufacturers that develops technical codes and standards for the valve & fitting industry.



NACE National Association of Corrosion Engineers — Equips society to protect people, assets and the environment from the adverse effects of corrosion.



NSF NSF International — An organization committed to public health that writes standards and certifies products for food, water and consumer products.



SDWA The Safe Drinking Water Act — Is the main federal law that ensures the quality of Americans' drinking water. Under SDWA, EPA sets standards for drinking water quality and oversees the states, localities, and water suppliers who implement those standards. Weighted average lead content of water contact components must be 0.25% or less.



UL Underwriter's Laboratory — Tests and qualifies valve and fittings products under UL standards for safety.



UPC Uniform Plumbing Code — Developed by the International Association of Plumbing and Mechanical Officials to govern the installation and inspection of plumbing systems as a means of promoting the public's health, safety and welfare.



USC University of Southern California — Foundation for Cross-Connection Control and Hydraulic Research that lists approved backflow prevention assemblies.

Ball Valves | Full Port

Ball Valves / Full Port



Stainless Steel Replacement Handles & Locking Handles Available for Lever Operated 759 Ball Valve

| 757 | | Ball Valve - Full Port - Forged Brass - UL/FM Certified | | |
|---|--------|---|--------|--|
| <ul style="list-style-type: none"> • Lead Free Version Available • CSA Approved | | <ul style="list-style-type: none"> • 600 WOG - 150 SWP | | |
| Model Number | | Carton Quantities | | |
| IPS | SIZE | INNER | MASTER | |
| 757T01 | 1/4" | 12 | 144 | |
| 757T02 | 3/8" | 12 | 144 | |
| 757T03 | 1/2" | 12 | 144 | |
| 757T04 | 3/4" | 10 | 70 | |
| 757T05 | 1" | 10 | 60 | |
| 757T06 | 1-1/4" | 6 | 36 | |
| 757T07 | 1-1/2" | 4 | 24 | |
| 757T08 | 2" | 4 | 6 | |
| | | | | |

| 759LHLF | | Lead Free Ball Valve - Full Port - Forged Brass - With Locking Handle | | |
|--|--------|---|--------|--|
| <ul style="list-style-type: none"> • CSA Approved - 1/2" - 2" | | <ul style="list-style-type: none"> • 600 WOG - 150 SWP | | |
| Model Number | | Carton Quantities | | |
| IPS | SIZE | INNER | MASTER | |
| 759T01LHLF | 1/4" | 15 | 120 | |
| 759T02LHLF | 3/8" | 15 | 120 | |
| 759T03LHLF | 1/2" | 15 | 120 | |
| 759T04LHLF | 3/4" | 10 | 60 | |
| 759T05LHLF | 1" | 8 | 48 | |
| 759T06LHLF | 1-1/4" | 4 | 24 | |
| 759T07LHLF | 1-1/2" | 2 | 24 | |
| 759T08LHLF | 2" | 2 | 12 | |
| 759T09LHLF | 2-1/2" | 2 | 6 | |
| 759T10LHLF | 3" | 2 | 4 | |
| 759T11LHLF | 4" | 1 | 2 | |
| | | | | |

| 759 | | Ball Valve - Full Port - Forged Brass | | |
|--|----------|--|-------|--------|
| <ul style="list-style-type: none"> • Lead Free Version Available • CSA Approved - 1/2" - 2" IPS Only | | <ul style="list-style-type: none"> • 600 WOG - 150 SWP 1/4" - 2" • 400 WOG - 100 SWP 2-1/2" - 4" | | |
| Model Number | | Carton Quantities | | |
| IPS | CxC | SIZE | INNER | MASTER |
| 759T01 | - | 1/4" | 15 | 120 |
| 759T02 | - | 3/8" | 15 | 120 |
| 759T03 | 759C03 | 1/2" | 15 | 120 |
| 759T04 | 759C04 | 3/4" | 10 | 60 |
| 759T05 | 759C05 | 1" | 8 | 48 |
| 759T06 | 759C06 | 1-1/4" | 4 | 24 |
| 759T07 | 759C07 | 1-1/2" | 2 | 24 |
| 759T08 | 759C08 | 2" | 2 | 12 |
| 759T09 | 759C09 | 2-1/2" | 2 | 6 |
| 759T10 | 759C10 | 3" | 1 | 4 |
| 759T11 | 759C11 | 4" | 1 | 2 |
| Also Available with Tee Handle: 1/4" - 1" | | | | |
| 759T01T | - | 1/4" | 12 | 144 |
| 759T03T | 759C03T | 1/2" | 15 | 120 |
| 759T04T | 759C04T | 3/4" | 10 | 60 |
| 759T05TLF | 759C05T | 1" | 8 | 48 |
| Also Available with Stainless Steel Thumb Grip Handle: 1/2" - 1" Handles Are Not Interchangeable. | | | | |
| 759T03TS | - | 1/2" | 15 | 120 |
| 759T04TS | 759C04TS | 3/4" | 10 | 80 |
| 759T05TS | 759C05TS | 1" | 8 | 48 |
| | | | | |

| 759MF | | Ball Valve - Full Port - Forged Brass - MIP X FIP | | |
|---|-------------|---|--------|--|
| <ul style="list-style-type: none"> • Lead Free Version Available | | <ul style="list-style-type: none"> • 600 WOG | | |
| Model Number | | Carton Quantities | | |
| WITH TEE HANDLE | SIZE | INNER | MASTER | |
| 759MF0001T | 1/8" x 1/4" | 12 | 144 | |
| 759MF00T | 1/8" x 1/8" | 12 | 144 | |
| 759MF01T | 1/4" x 1/4" | 12 | 144 | |





Lead Free Press Ball Valve - Full Port - Forged Brass **759PLF**

- 250 PSI (CWP)
- Stem Extensions & Locking Handles Available

| Model Number | Carton Quantities | | |
|--------------|-------------------|-------|--------|
| | SIZE | INNER | MASTER |
| 759P03LF | 1/2" | 15 | 120 |
| 759P04LF | 3/4" | 10 | 60 |
| 759P05LF | 1" | 8 | 48 |
| 759P06LF | 1-1/4" | 4 | 24 |
| 759P07LF | 1-1/2" | 2 | 24 |
| 759P08LF | 2" | 2 | 12 |
| 759P09LF | 2-1/2" | 2 | 6 |
| 759P10LF | 3" | 2 | 4 |
| 759P11LF | 4" | 1 | 2 |

Lead Free Press Ball Valve - FNPT x Press - Full Port - Forged Brass **759PFLF**

- 250 PSI (CWP)

| Model Number | Carton Quantities | | |
|--------------|-------------------|-------|--------|
| | SIZE | INNER | MASTER |
| 759PF03LF | 1/2" x 1/2" | 10 | 100 |
| 759PF04LF | 3/4" x 3/4" | 10 | 60 |
| 759PF05LF | 1" x 1" | 8 | 48 |

Lead Free Press Ball Valve - Full Port - Forged Brass - With Waste Drain **759PDLF**

- 250 PSI (CWP)

| Model Number | Carton Quantities | | |
|--------------|-------------------|-------|--------|
| | SIZE | INNER | MASTER |
| 759PD03LF | 1/2" | 10 | 100 |
| 759PD04LF | 3/4" | 10 | 60 |
| 759PD05LF | 1" | 8 | 48 |

Lead Free Press Ball Valve - F1960 PEX x Press - Full Port - Forged Brass **759PPXCELf**

- 250 PSI (CWP)

| Model Number | Carton Quantities | | |
|--------------|-------------------|-------|--------|
| | SIZE | INNER | MASTER |
| 759PPXCE03LF | 1/2" x 1/2" | 10 | 100 |
| 759PPXCE04LF | 3/4" x 3/4" | 10 | 60 |
| 759PPXCE05LF | 1" x 1" | 8 | 40 |

Lead Free Press Ball Valve - MNPT x Press - Full Port - Forged Brass **759PMLF**

- 250 PSI (CWP)

| Model Number | Carton Quantities | | |
|--------------|-------------------|-------|--------|
| | SIZE | INNER | MASTER |
| 759PM03LF | 1/2" x 1/2" | 10 | 100 |
| 759PM04LF | 3/4" x 3/4" | 10 | 60 |
| 759PM05LF | 1" x 1" | 8 | 48 |

Lead Free Press Ball Valve - PEX 1807 x Press - Full Port - Forged Brass **759PPXLF**

- 250 PSI (CWP)

| Model Number | Carton Quantities | | |
|--------------|-------------------|-------|--------|
| | SIZE | INNER | MASTER |
| 759PPX03LF | 1/2" x 1/2" | 10 | 100 |
| 759PPX04LF | 3/4" x 3/4" | 10 | 60 |
| 759PPX05LF | 1" x 1" | 8 | 40 |



Ball Valves | Full Port



720QLF



750TLF



750CLF



755T

720QLF

Lead Free Push Connect Ball Valve - Full Port - Forged Brass

• 200 WOG

| Model Number | Carton Quantities | | |
|--------------|-------------------|-------|--------|
| | SIZE | INNER | MASTER |
| 720Q03LF | 1/2" | 12 | 72 |
| 720Q04LF | 3/4" | 12 | 60 |
| 720Q05LF | 1" | 6 | 36 |



750LF

Lead Free Ball Valve - Full Port - Forged Brass

• 150 SWP

• 600 WOG

| Model Number | | Carton Quantities | | |
|--------------|----------|-------------------|-------|--------|
| IPS | CxC | SIZE | INNER | MASTER |
| 750T03LF | 750C03LF | 1/2" | 8 | 80 |
| 750T04LF | 750C04LF | 3/4" | 8 | 64 |
| 750T05LF | 750C05LF | 1" | 8 | 48 |
| 750T06LF | | 1-1/4" | 4 | 24 |
| 750T07LF | | 1-1/2" | 2 | 24 |
| 750T08LF | | 2" | 2 | 12 |

755

Ball Valve - Full Port - Forged Brass - Heavy Duty - Made In Italy

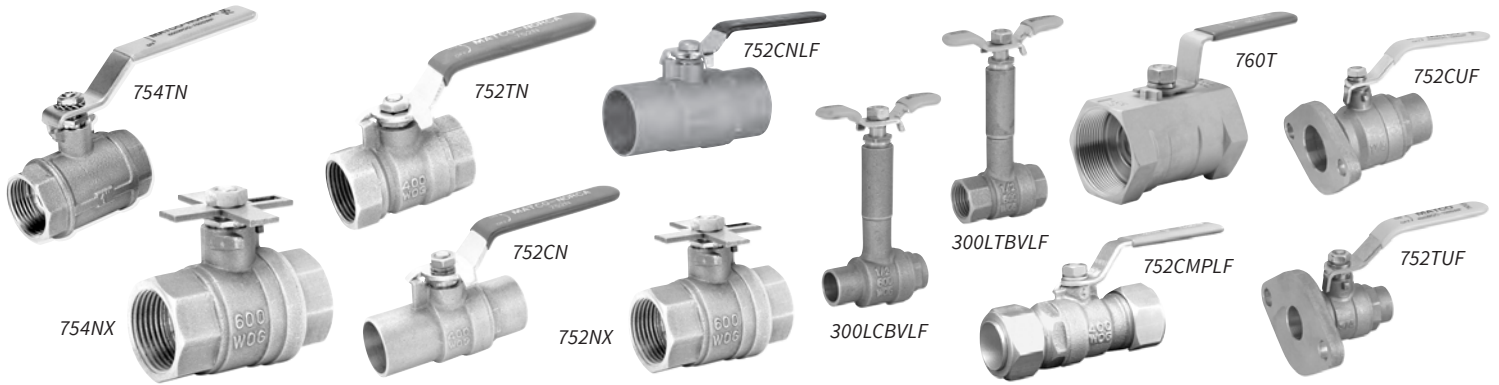
- 1/4" - 2" - 150 SWP 600 WOG
- 2-1/2" - 100 SWP 400 WOG

- Nickel Plated
- UL/FM Certified 1/2" - 2"

| Model Number | Carton Quantities | | | |
|--------------|-------------------|--------|-------|--------|
| | IPS | SIZE | INNER | MASTER |
| 755T01 | | 1/4" | 10 | 150 |
| 755T02 | | 3/8" | 10 | 120 |
| 755T04 | | 3/4" | 12 | 60 |
| 755T05 | | 1" | 10 | 30 |
| 755T06 | | 1-1/4" | 4 | 20 |
| 755T07 | | 1-1/2" | 4 | 16 |
| 755T09 | | 2-1/2" | 1 | 5 |



Full Port & Standard Port | Ball Valves



Ball Valve - Full Port - Forged Brass

754N

- 1/4" - 2" - 150 SWP 600 WOG
- 2-1/2" - 4" - 100 SWP 400 WOG
- Nickel Plated

| Model Number | | Carton Quantities | |
|--|--------|-------------------|--------|
| IPS | SIZE | INNER | MASTER |
| 754T01N | 1/4" | 30 | 120 |
| 754T02N | 3/8" | 30 | 120 |
| 754T03N | 1/2" | 15 | 120 |
| 754T04N | 3/4" | 10 | 90 |
| 754T05N | 1" | 6 | 60 |
| 754T06N | 1-1/4" | 6 | 36 |
| 754T07N | 1-1/2" | 4 | 24 |
| 754T08N | 2" | 2 | 16 |
| 754T09N | 2-1/2" | 1 | 8 |
| 754T10N | 3" | 1 | 6 |
| 754T11N | 4" | 1 | 4 |
| <i>Also Available with Stainless Steel Cross Handle - IPS Only</i> | | | |
| 754T05NX | 1" | 5 | 60 |

Ball Valve - Standard Port - Forged Brass

752N

- IPS 1/4" - 2" - 150 SWP 600 WOG
- IPS 2-1/2" - 4" - 150 SWP 400 WOG
- Lead Free Version Available
- CxC 3/8" - 2" - 150 SWP 400 WOG

| Model Number | | Carton Quantities | | |
|--|-----------|-------------------|-------|--------|
| IPS | CxC | SIZE | INNER | MASTER |
| 752T01N | - | 1/4" | 6 | 240 |
| 752T02N | 752C02N | 3/8" | 6 | 240 |
| 752T03N | 752C03N | 1/2" | 6 | 120 |
| 752T04N | 752C04NLF | 3/4" | 6 | 120 |
| 752T05N | 752C05N | 1" | 6 | 60 |
| 752T06N | 752C06NLF | 1-1/4" | 2 | 30 |
| 752T07N | 752C07NLF | 1-1/2" | 2 | 30 |
| 752T08N | 752C08N | 2" | 2 | 24 |
| 752T09N | - | 2-1/2" | 1 | 12 |
| 752T10N | - | 3" | 1 | 8 |
| 752T11N | - | 4" | 1 | 6 |
| <i>Also Available with Stainless Steel Cross Handle - IPS Only</i> | | | | |
| 752T03NX | | 1/2" | 10 | 100 |
| 752T04NX | | 3/4" | 10 | 100 |

Lead Free Long Bonnet Brass Ball Valve - Full Port

300BV

- 600 WOG

| Model Number | | Carton Quantities | |
|--------------|------------|-------------------|--------|
| | SIZE | INNER | MASTER |
| 300LC3BVLV | 1/2" C x C | 6 | 72 |
| 300LT3BVLV | 1/2" IPS | 6 | 72 |
| 300LC4BVLV | 3/4" C x C | 6 | 72 |
| 300LT4BVLV | 3/4" IPS | 6 | 72 |

Ball Valve - Standard Port - One Piece - 316 Stainless Steel

760

- 800 WOG

| Model Number | | Carton Quantities | | |
|--------------|------|-------------------|--------|--|
| IPS | SIZE | INNER | MASTER | |
| 760T01 | 1/4" | 60 | 250 | |
| 760T02 | 3/8" | 40 | 160 | |
| 760T03 | 1/2" | 20 | 80 | |

Lead Free Ball Valve - Standard Port - Forged Brass

752CMPLF

- 400 WOG
- With Compression Ends For Copper Tube Pipe

| Model Number | | Carton Quantities | |
|--------------|--------------|-------------------|--------|
| | SIZE | INNER | MASTER |
| 752CMP3LF | 1/2" nominal | 25 | 100 |
| 752CMP4LF | 3/4" nominal | 15 | 60 |
| 752CMP5LF | 1" nominal | 10 | 40 |

Ball Valve - Full Port - Uni-Flange With Gasket, 2 Bolts & 2 Nuts

752UF

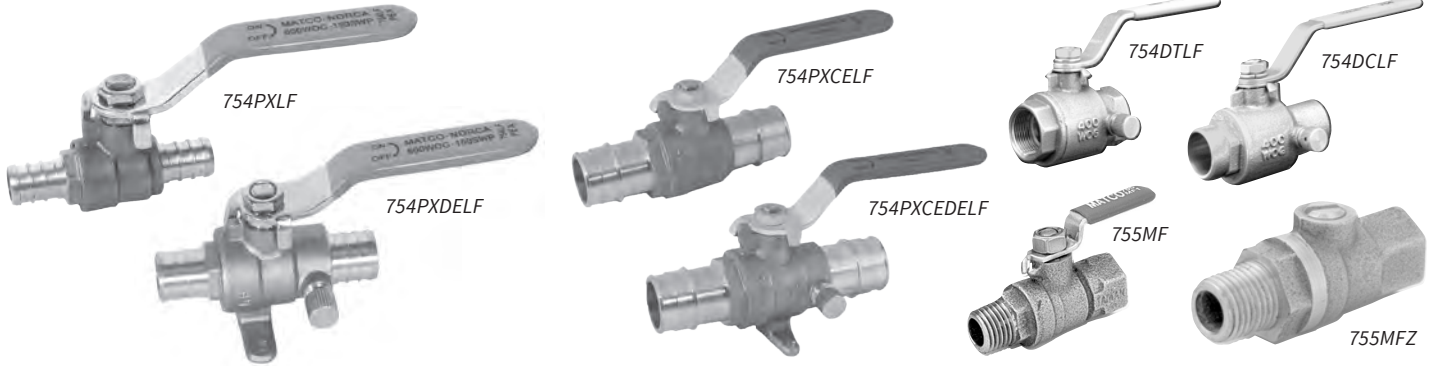
- 400 WOG

| Model Number | | Carton Quantities | | |
|--------------|-----------------|-------------------|-------|--------|
| IPS x FLANGE | COPPER x FLANGE | SIZE | INNER | MASTER |
| 752T04UF | 752C04UF | 3/4" | 1 | 24 |
| 752T05UF | 752C05UF | 1" | 2 | 18 |
| 752T06UF | 752C06UF | 1-1/4" | 1 | 12 |
| 752T07UF | 752C07UF | 1-1/2" | 1 | 10 |



Ball Valves | Full Port & Standard Port

Ball Valves / Full Port & Standard Port



| 754PXC <small>ELF</small> Lead Free Cold Expansion Ball Valve - Full Port - Forged Brass - Pex Barb Ends | | | | |
|--|---------------------|-------------------|--------|--|
| • 100 SWP | | • 400 WOG | | |
| Model Number | | Carton Quantities | | |
| | SIZE | INNER | MASTER | |
| 754PXCE03LF | 1/2" x 1/2" PEX | 10 | 100 | |
| 754PXCE04LF | 3/4" x 3/4" PEX | 10 | 100 | |
| 754PXCE05LF | 1" x 1" PEX | 6 | 48 | |
| 754PXCE06LF | 1-1/4" x 1-1/4" PEX | 6 | 24 | |
| 754PXCE07LF | 1-1/2" x 1-1/2" PEX | 4 | 16 | |
| 754PXCE08LF | 2" x 2" PEX | 2 | 8 | |
| WITH TEE HANDLE | | | | |
| 754PXCE03TLF | 1/2" x 1/2" PEX | 10 | 100 | |
| 754PXCE04TLF | 3/4" x 3/4" PEX | 10 | 100 | |
| 754PXCE05TLF | 1" x 1" PEX | 6 | 48 | |
| WITH WASTE DRAIN & DROP EAR | | | | |
| 754PXCEDE03LF | 1/2" x 1/2" PEX | 10 | 100 | |
| 754PXCEDE04LF | 3/4" x 3/4" PEX | 10 | 100 | |
| 754PXCEDE05LF | 1" x 1" PEX | 6 | 48 | |
| MNPT X COLD EXPANSION | | | | |
| 754PXCEM03LF | 1/2" x 1/2" PEX | 10 | 100 | |
| 754PXCEM04LF | 3/4" x 3/4" PEX | 8 | 80 | |
| 754PXCEM05LF | 1" x 1" PEX | 6 | 48 | |
| FNPT X COLD EXPANSION | | | | |
| 754PXCEF03LF | 1/2" x 1/2" PEX | 10 | 100 | |
| 754PXCEF04LF | 3/4" x 3/4" PEX | 8 | 64 | |
| 754PXCEF05LF | 1" x 1" PEX | 6 | 48 | |
| | | | | |

| 754DLF Lead Free Ball Valve - Full Port - Cast Brass | | | | |
|--|----------|--------------------|-------|--------|
| • 400 SWP | | • With Waste Drain | | |
| Model Number | | Carton Quantities | | |
| IPS | CxC | SIZE | INNER | MASTER |
| 754DT3LF | 754DC3LF | 1/2" | 20 | 80 |
| 754DT4LF | 754DC4LF | 3/4" | 10 | 40 |
| 754DT5LF | 754DC5LF | 1" | 4 | 16 |
| DRAIN CAP | | | | |
| 754PCAP | | 1/2" - 1" | 1 | 500 |

| 754PXL Lead Free Ball Valve - Full Port - Forged Brass - Pex Barb Ends | | | | |
|--|---------------------|-------------------|--------|--|
| • 150 SWP | | • 600 WOG | | |
| Model Number | | Carton Quantities | | |
| | SIZE | INNER | MASTER | |
| 754PX03LF | 1/2" x 1/2" PEX | 10 | 100 | |
| 754PX04LF | 3/4" x 3/4" PEX | 10 | 100 | |
| 754PX05LF | 1" x 1" PEX | 8 | 48 | |
| 754PX06LF | 1-1/4" x 1-1/4" PEX | 4 | 24 | |
| 754PX07LF | 1-1/2" x 1-1/2" PEX | 2 | 24 | |
| 754PX08LF | 2" x 2" PEX | 2 | 12 | |
| WITH TEE HANDLE | | | | |
| 754PX03TLF | 1/2" x 1/2" PEX | 10 | 100 | |
| 754PX04TLF | 3/4" x 3/4" PEX | 10 | 100 | |
| 754PX05TLF | 1" x 1" PEX | 8 | 48 | |
| MNPT X PEX | | | | |
| 754PXM03LF | 1/2" x 1/2" PEX | 10 | 100 | |
| 754PXM04LF | 3/4" x 3/4" PEX | 8 | 64 | |
| 754PXM05LF | 1" x 1" PEX | 6 | 48 | |
| WITH WASTE DRAIN & DROP EAR | | | | |
| 754PXDE03LF | 1/2" x 1/2" PEX | 8 | 80 | |
| 754PXDE04LF | 3/4" x 3/4" PEX | 8 | 80 | |
| 754PXDE05LF | 1" x 1" PEX | 6 | 40 | |
| | | | | |

| 755MF Ball Valve - Male x Female Test Cock - Cast Bronze | | | | |
|--|--|---------------------|-------|--------|
| • Lead Free Version Available | | • 150 SWP 600 WOG | | |
| Model Number | | Carton Quantities | | |
| WITH LEVER HANDLE | | SIZE | INNER | MASTER |
| 755MF00 | | 1/8" MIP x 1/8" FIP | 12 | 144 |
| 755MF0 | | 1/8" MIP x 1/4" FIP | 12 | 144 |
| 755MF1 | | 1/4" MIP x 1/4" FIP | 12 | 144 |
| WITH SLOTTED SCREW | | | | |
| 755MFZ0 | | 1/8" MIP x 1/4" FIP | 50 | 200 |
| 755MFZ1 | | 1/4" MIP x 1/4" FIP | 20 | 200 |





200TLF



240T



240TH



200LT



200ALC

| Lead Free Globe Valve - Brass - Hard Seat | | | | 200LF |
|---|--------|-------------------|--------|-------|
| • 125 SWP | | • 200 WOG | | |
| Model Number | | Carton Quantities | | |
| IPS | SIZE | INNER | MASTER | |
| 200T02LF | 3/8" | 10 | 100 | |
| 200T03LF | 1/2" | 10 | 100 | |
| 200T04LF | 3/4" | 40 | 60 | |
| 200T05LF | 1" | 5 | 40 | |
| 200T06LF | 1-1/4" | 5 | 30 | |
| 200T07LF | 1-1/2" | 4 | 24 | |
| 200T08LF | 2" | 2 | 16 | |

| Angle Control Valve - Globe Pattern - Brass - Soft Seat - Cross Handle | | | | 240T |
|--|--------|-------------------|--------|------|
| • Lead Free Version Available | | • 200 PSI CWP | | |
| Model Number | | Carton Quantities | | |
| IPS | SIZE | INNER | MASTER | |
| 240T04 | 3/4" | 8 | 40 | |
| 240T05 | 1" | 4 | 24 | |
| 240T06 | 1-1/4" | 2 | 10 | |
| 240T07 | 1-1/2" | 2 | 10 | |
| 240T08 | 2" | 2 | 10 | |

| Angle Control Valve - Globe Pattern - Brass - Soft Seat - Bronze Wheel Handle | | | | 240H |
|---|------|-------------------|--------|------|
| • Lead Free Version Available | | • 200 PSI CWP | | |
| Model Number | | Carton Quantities | | |
| IPS | SIZE | INNER | MASTER | |
| 240T08H | 2" | 2 | 10 | |

| Globe Valve - Long Bonnet - Brass - Soft Seat | | | | 200L/ 200AL |
|---|------------|-------------------|--------|----------------|
| • Lead Free Version Available | | • 125 PSI | | |
| Model Number | | Carton Quantities | | |
| STRAIGHT PATTERN | SIZE | INNER | MASTER | |
| 200LT3LF | 1/2" IPS | 12 | 72 | |
| 200LT4 | 3/4" IPS | 12 | 72 | |
| 200LC3 | 1/2" C x C | 12 | 72 | |
| 200LC4 | 3/4" C x C | 12 | 72 | |
| KEY | SIZE | INNER | MASTER | |
| 200ALT3LF | 1/2" IPS | 12 | 72 | |
| 200ALC3 | 1/2" C x C | 12 | 72 | |



Gas Valves



58LGAN



58LGAF



58LGFF



59LGA



59LGAF



59LGFF

58LGAN Gas Ball Valve - 1/2 PSIG and 5G - Two Piece

| Model Number | | Carton Quantities | |
|--------------|------|-------------------|--------|
| FIP x FIP | SIZE | INNER | MASTER |
| 58LGA3N | 1/2" | 12 | 120 |
| 58LGA4N | 3/4" | 12 | 120 |
| 58LGA5N | 1" | 6 | 60 |



59LGA Gas Ball Valve - 1/2 PSIG and 5G - One Piece

| Model Number | | Carton Quantities | |
|--------------|------|-------------------|--------|
| FIP x FIP | SIZE | INNER | MASTER |
| 59LGA3 | 1/2" | 12 | 96 |
| 59LGA4 | 3/4" | 20 | 80 |



58LGAF Gas Ball Valve - 1/2 PSIG and 5G - Two Piece

| Model Number | | Carton Quantities | |
|--------------|------------------------|-------------------|--------|
| FIP x FLARE | SIZE | INNER | MASTER |
| 58LGAF32 | 1/2" FIP x 3/8" FL | 12 | 144 |
| 58LGAF33 | 1/2" FIP x 1/2" FL | 12 | 144 |
| 58LGAF39 | 1/2" FIP x 9/16" - 24 | 12 | 144 |
| 58LGAF4 | 3/4" FIP x 15/16" - 24 | 12 | 144 |



59LGAF Gas Ball Valve - 1/2 PSIG and 5G - One Piece

| Model Number | | Carton Quantities | |
|--------------|-----------------------|-------------------|--------|
| FIP x FLARE | SIZE | INNER | MASTER |
| 59LGAF32 | 1/2" FIP x 3/8" FL | 1 | 144 |
| 59LGAF33 | 1/2" FIP x 1/2" FL | 12 | 144 |
| 59LGAF34 | 3/4" FIP x 1/2" FL | 1 | 1 |
| 59LGAF39 | 1/2" FIP x 9/16" - 24 | 12 | 144 |



58LGFF Gas Ball Valve - 1/2 PSIG and 5G - Two Piece

| Model Number | | Carton Quantities | |
|---------------|-----------------------|-------------------|--------|
| FLARE x FLARE | SIZE | INNER | MASTER |
| 58LGFF2 | 3/8" O.D. x 3/8" O.D. | 12 | 144 |
| 58LGFF3 | 1/2" O.D. x 1/2" O.D. | 12 | 144 |



59LGFF Gas Ball Valve - 1/2 PSIG and 5G - One Piece - Made in Italy

| Model Number | | Carton Quantities | |
|---------------|-----------------------|-------------------|--------|
| FLARE x FLARE | SIZE | INNER | MASTER |
| 59LGFF4 | 5/8" O.D. x 5/8" O.D. | 1 | 100 |



Log Lighter Valves & Accessories



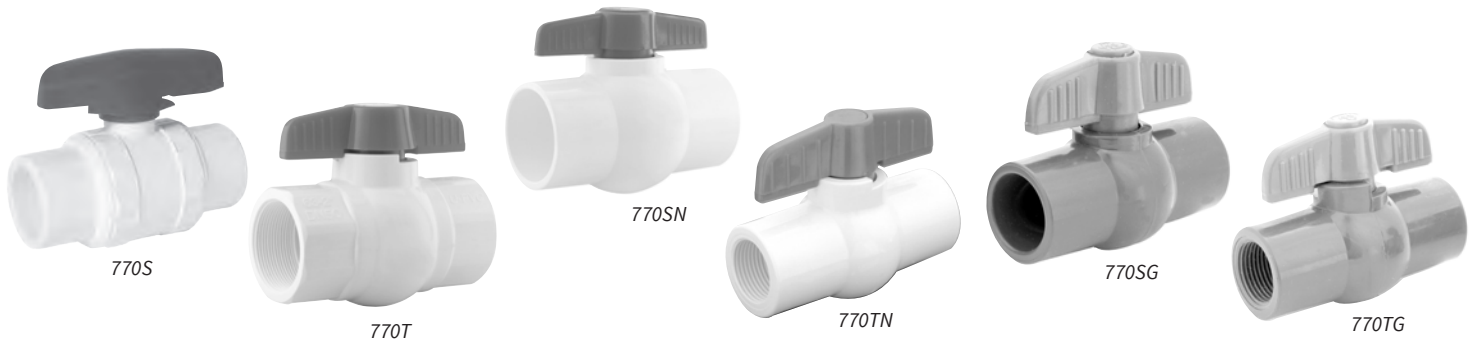
| Log Lighter Valves | | 58 | |
|--|---|-------------------|--------|
| Model Number | | Carton Quantities | |
| VALVE ONLY | SIZE | INNER | MASTER |
| 58-S03 | 1/2" Straight Valve | 15 | 120 |
| 58-A03 | 1/2" Angle Valve | 15 | 120 |
| STRAIGHT VALVE - COMPLETE KITS INCLUDE VALVE, ESCUTCHEON AND 3" KEY | | | |
| 58-STR03 | 1/2" With Chrome Plated Escutcheon & Key | 2 | 24 |
| 58-STR03P | 1/2" With Polished Brass Escutcheon & Key | 1 | 60 |
| ANGLE VALVE - COMPLETE KITS INCLUDE VALVE, ESCUTCHEON AND 3" KEY | | | |
| 58-ANG03 | 1/2" With Chrome Plated Escutcheon & Key | 1 | 25 |
| 58-ANG03P | 1/2" With Polished Brass Escutcheon & Key | 1 | 25 |



| Log Lighter Valves - Escutcheons & Keys | | 58 | |
|---|----------------------------------|-------------------|--------|
| Model Number | | Carton Quantities | |
| ESCUTCHEONS | SIZE | INNER | MASTER |
| 58-300CPD | Domed Chrome Plated | 1 | 72 |
| 58-300PBD | Domed Polished Brass | 1 | 72 |
| 58-300BND | Domed Brushed Nickel | 1 | 72 |
| 58-300SND | Domed Satin Nickel | 1 | 72 |
| 58-300BN | Flat Brushed Nickel | 1 | 120 |
| 58-300CP | Flat Chrome Plated | 1 | 120 |
| 58-300PB | Flat Polished Brass | 1 | 120 |
| KEY | | | |
| 58-200CP | 3" Chrome Plated for 1/4" Stem | 1 | 400 |
| 58-208CP | 8" Chrome Plated for 1/4" Stem | 1 | 400 |
| 58-208PB | 8" Polished Brass for 1/4" Stem | 1 | 180 |
| 58-212PB | 12" Polished Brass for 1/4" Stem | 20 | 120 |
| 58-208BN | 8" Brushed Nickel for 1/4" Stem | 1 | 400 |
| 58-212BN | 12" Brushed Nickel for 1/4" Stem | 20 | 100 |
| 58-200SN | 3" Satin Nickel for 1/4" Stem | 1 | 1 |



White & Gray PVC Ball Valves



White & Gray PVC Ball Valves

| 770 | | Sch. 40 PVC Ball Valve - NSF - Solvent & Threaded - PTFE Seats | | |
|--------------------|----------|--|-------|--------|
| • 150 PSI @ 73 ° F | | • Fits Both Schedule 40 & 80 Pipe | | |
| Model Number | | Carton Quantities | | |
| SOLVENT | THREADED | SIZE | INNER | MASTER |
| 770S03 | 770T03 | 1/2" | 1 | 100 |
| 770S04 | 770T04 | 3/4" | 1 | 100 |
| 770S05 | 770T05 | 1" | 1 | 50 |
| 770S06 | 770T06 | 1-1/4" | 1 | 50 |
| 770S07 | 770T07 | 1-1/2" | 1 | 50 |
| 770S08 | 770T08 | 2" | 1 | 20 |
| 770S09 | 770T09 | 2-1/2" | 1 | 12 |
| 770S10 | 770T10 | 3" | 1 | 12 |
| 770S11 | 770T11 | 4" | 1 | 6 |

See 770N for 6" PVC Ball Valve.

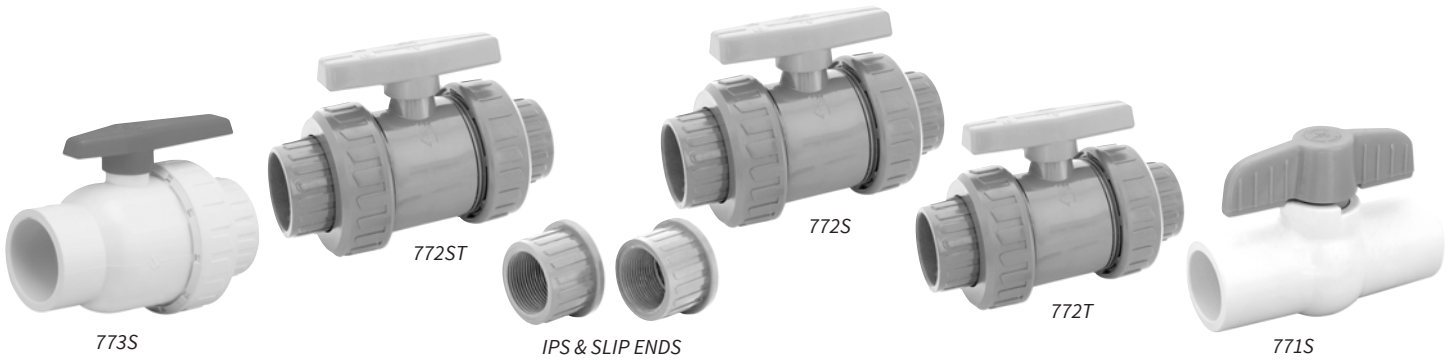
| 770N | | Sch. 40 PVC Ball Valve - Solvent & Threaded - PTFE Seats | | |
|--------------------|----------|--|-------|--------|
| • 150 PSI @ 73 ° F | | • Fits Both Schedule 40 & 80 Pipe | | |
| • Economy Pattern | | | | |
| Model Number | | Carton Quantities | | |
| SOLVENT | THREADED | SIZE | INNER | MASTER |
| 770S03N | 770T03N | 1/2" | 10 | 100 |
| 770S04N | 770T04N | 3/4" | 10 | 100 |
| 770S05N | 770T05N | 1" | 10 | 50 |
| 770S06N | 770T06N | 1-1/4" | 5 | 50 |
| 770S07N | 770T07N | 1-1/2" | 5 | 50 |
| 770S08N | 770T08N | 2" | 5 | 20 |
| 770S09N | 770T09N | 2-1/2" | 1 | 12 |
| 770S10N | 770T10N | 3" | 1 | 12 |
| 770S11N | 770T11N | 4" | 1 | 6 |
| 770S13N | - | 6" | 1 | 5 |

Sizes 2-1/2" - 6" Come with Lever Handles.

| 770G | | Sch. 80 PVC Ball Valve - NSF - Solvent & Threaded - PTFE Seats | | |
|--------------------|----------|--|-------|--------|
| • 150 PSI @ 73 ° F | | • Fits Both Schedule 40 & 80 Pipe | | |
| Model Number | | Carton Quantities | | |
| SOLVENT | THREADED | SIZE | INNER | MASTER |
| 770S03G | 770T03G | 1/2" | 1 | 100 |
| 770S04G | 770T04G | 3/4" | 1 | 100 |
| 770S05G | 770T05G | 1" | 1 | 50 |
| 770S06G | 770T06G | 1-1/4" | 1 | 50 |
| 770S07G | 770T07G | 1-1/2" | 1 | 50 |
| 770S08G | 770T08G | 2" | 1 | 20 |
| 770S09G | 770T09G | 2-1/2" | 1 | 12 |
| 770S10G | 770T10G | 3" | 1 | 12 |
| 770S11G | 770T11G | 4" | 1 | 6 |



PVC & CPVC BALL VALVES



| PVC Ball Valve - Single Union - Solvent & Threaded - EPDM Seats | | | | | 773 |
|---|----------|--------|-------------------|--------|-----|
| • 150 PSI @ 73° F | | | | | |
| Model Number | | | Carton Quantities | | |
| SOLVENT | THREADED | SIZE | INNER | MASTER | |
| 773S07 | 773T07 | 1-1/2" | 1 | 48 | |
| 773S08 | 773T08 | 2" | 1 | 24 | |

| PVC Ball Valve - True Union - Solvent or Threaded Ends - PTFE Seats | | | | | 772 |
|---|----------|------|-------------------|--------|-----|
| • 150 PSI @ 73° F • Solvent or Threaded Ends in Box | | | | | |
| Model Number | | | Carton Quantities | | |
| SOLVENT | THREADED | SIZE | INNER | MASTER | |
| 772S10 | 772T10 | 3" | 1 | 6 | |
| 772S11 | 772T11 | 4" | 1 | 1 | |

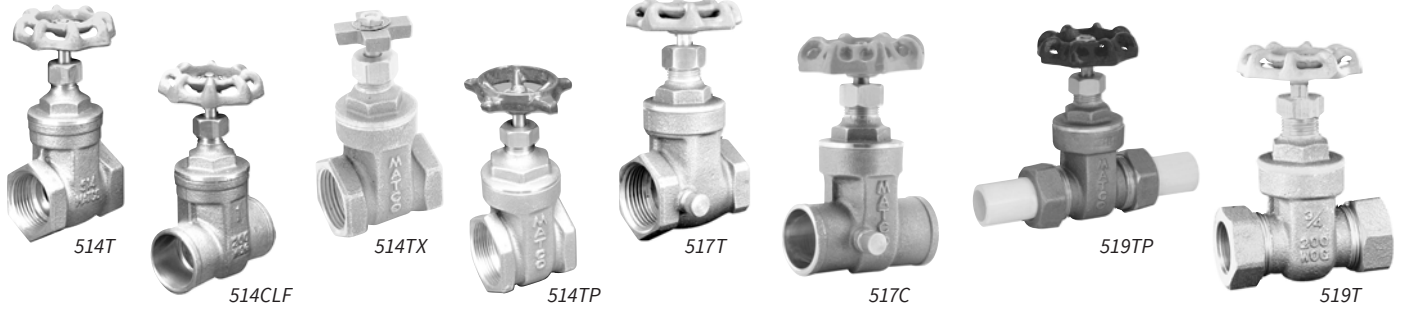
| Sch. 80 PVC Ball Valve - True Union - Solvent & Threaded Ends - PTFE Seats | | | | | 772ST |
|--|--------|-------------------|--------|--|-------|
| • 150 PSI @ 73° F • Both Solvent or Threaded Ends in Box | | | | | |
| Model Number | | Carton Quantities | | | |
| SOLVENT | SIZE | INNER | MASTER | | |
| 772ST03 | 1/2" | 1 | 72 | | |
| 772ST04 | 3/4" | 1 | 60 | | |
| 772ST05 | 1" | 1 | 45 | | |
| 772ST06 | 1-1/4" | 1 | 24 | | |
| 772ST07 | 1-1/2" | 1 | 16 | | |
| 772ST08 | 2" | 1 | 12 | | |

See 772 for 3" - 4" True Union Ball Valves.

| CPVC Ball Valve - NSF Approved - PTFE Seats | | | | | 771 |
|---|--------|-------------------|--------|--|-----|
| • 100 PSI @ 180° F | | | | | |
| Model Number | | Carton Quantities | | | |
| SOLVENT | SIZE | INNER | MASTER | | |
| 771S03 | 1/2" | 1 | 100 | | |
| 771S04 | 3/4" | 1 | 100 | | |
| 771S05 | 1" | 5 | 40 | | |
| 771S06 | 1-1/4" | 1 | 100 | | |
| 771S07 | 1-1/2" | 1 | 48 | | |
| 771S08 | 2" | 1 | 24 | | |



Brass Gate Valves



514

Gate Valve - Full Port - Cast Brass - Solid Wedge

- 125 SWP
- 200 WOG
- Wheel Handle IPS Lead Free Version Available
- Crown Handle Only Available in Standard Version
- Cross Handle IPS Lead Free Version Available
- Wheel Handle CxC Only Available in Lead Free

| Model Number | | | | Carton Quantities | | |
|------------------|------------------|------------------|------------------|-------------------|-------|--------|
| WHEEL HANDLE IPS | CROSS HANDLE IPS | CROWN HANDLE IPS | WHEEL HANDLE CxC | SIZE | INNER | MASTER |
| 514T01 | - | - | - | 1/4" | 10 | 120 |
| 514T02 | - | - | - | 3/8" | 10 | 120 |
| 514T03 | 514T03X | 514T03P | 514C03LF | 1/2" | 10 | 120 |
| 514T04 | 514T04X | 514T04P | 514C04LF | 3/4" | 10 | 80 |
| 514T05 | 514T05X | 514T05P | 514C05LF | 1" | 5 | 60 |
| 514T06 | 514T06X | 514T06P | 514C06LF | 1-1/4" | 5 | 40 |
| 514T07 | 514T07X | 514T07P | 514C07LF | 1-1/2" | 5 | 30 |
| 514T08 | 514T08X | 514T08P | 514C08LF | 2" | 2 | 24 |
| 514T09 | 514T09X | 514T09P | 514C09LF | 2- 1/2" | 1 | 10 |
| 514T10 | 514T10X | 514T10P | 514C10LF | 3" | 1 | 6 |
| 514T11 | 514T11X | 514T11P | 514C11LF | 4" | 1 | 4 |

Replacement handles of each type are available.



517

Gate Valve With Drain - Cast Brass - Non Rising Stem

- 125 SWP
- 200 WOG

| Model Number | | Carton Quantities | | |
|--------------|--------|-------------------|-------|--------|
| IPS | CxC | SIZE | INNER | MASTER |
| 517T03 | 517C03 | 1/2" | 10 | 120 |
| - | 517C04 | 3/4" | 10 | 90 |
| 517T05 | 517C05 | 1" | 5 | 60 |

519

Gate Valve - Cast Brass - Non Rising Stem

- Lead Free Version Available
- 200 SWP
- With Compression Ends for Copper Tube Pipe

| Model Number | | Carton Quantities | | |
|--------------|--------------|-------------------|--------|--|
| | SIZE | INNER | MASTER | |
| 519T03 | 1/2" nominal | 10 | 120 | |
| 519T04LF | 3/4" nominal | 10 | 90 | |
| 519T05 | 1" nominal | 5 | 60 | |

519TP

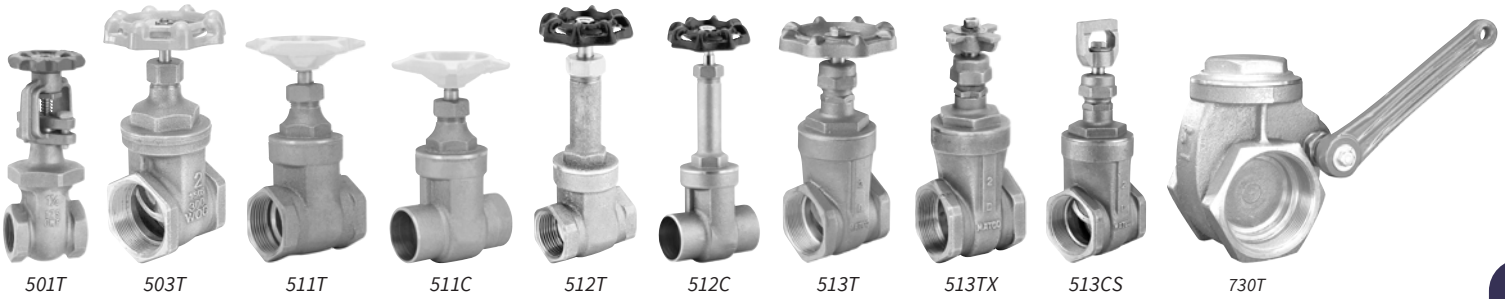
Gate Valve - Cast Brass - Compression With CPVC Stub-Outs

- Lead Free Version Available
- 200 WOG

| Model Number | | Carton Quantities | | |
|--------------|------|-------------------|--------|--|
| | SIZE | INNER | MASTER | |
| 519T03TP | 1/2 | 12 | 72 | |
| 519T04TPLF | 3/4" | 10 | 90 | |



Bronze Gate Valves



Gate Valve - OS&Y - Rising Stem - Bronze B62 501

- 175 CWP

| Model Number | | Carton Quantities | | |
|--------------|--------|-------------------|--------|--|
| IPS ONLY | SIZE | INNER | MASTER | |
| 501T04 | 3/4" | 6 | 60 | |
| 501T05 | 1" | 16 | 48 | |
| 501T06 | 1-1/4" | 12 | 36 | |
| 501T07 | 1-1/2" | 2 | 8 | |
| 501T08 | 2" | 1 | 6 | |



Gate Valve - Full Port - Bronze - Heavy Pattern 503

- Lead Free Version Available
- 300 WOG
- 150 WOG
- MSS-SP-80

| Model Number | | Carton Quantities | | |
|--------------|--------|-------------------|--------|--|
| IPS ONLY | SIZE | INNER | MASTER | |
| 503T03 | 1/2" | 10 | 100 | |
| 503T04 | 3/4" | 6 | 60 | |
| 503T05 | 1" | 5 | 40 | |
| 503T06 | 1-1/4" | 5 | 30 | |
| 503T07 | 1-1/2" | 4 | 24 | |
| 503T08 | 2" | 4 | 16 | |
| 503T09 | 2-1/2" | 2 | 8 | |
| 503T10 | 3" | 1 | 6 | |
| 503T11 | 4" | 1 | 4 | |

Gate Valve - Federal Specification 54 Class A Type 1- Non Rising Stem - Bronze B62 511

- 150 SWP
- 300 WOG
- MSS-SP-80

| Model Number | | | Carton Quantities | |
|--------------|--------|--------|-------------------|--------|
| IPS | CxC | SIZE | INNER | MASTER |
| 511T03 | 511C03 | 1/2" | 10 | 80 |
| 511T04 | 511C04 | 3/4" | 10 | 60 |
| 511T05 | 511C05 | 1" | 5 | 40 |
| 511T06 | 511C06 | 1-1/4" | 5 | 30 |
| 511T07 | 511C07 | 1-1/2" | 4 | 24 |
| 511T08 | 511C08 | 2" | 2 | 12 |

Gate Valve - Federal Specification 54 Class A Type 1- Rising Stem - Bronze B62 512

- 150 SWP
- 300 WOG
- MSS-SP-80
- IPS Lead Free Version Available
- CxC Only Available in Standard Version

| Model Number | | | Carton Quantities | |
|--------------|--------|--------|-------------------|--------|
| IPS | CxC | SIZE | INNER | MASTER |
| 512T03 | 512C03 | 1/2" | 1 | 80 |
| 512T04 | 512C04 | 3/4" | 1 | 60 |
| 512T05 | 512C05 | 1" | 1 | 40 |
| 512T06 | 512C06 | 1-1/4" | 1 | 30 |
| 512T07 | 512C07 | 1-1/2" | 1 | 24 |
| 512T08 | 512C08 | 2" | 1 | 12 |
| 512T09 | - | 1-1/2" | 1 | 8 |
| 512T10 | - | 3" | 1 | 4 |

Gate Valve - Full Port - Heavy - Duty - Non Rising Stem - Bronze B62 513

- 150 SWP
- 300 WOG
- MSS-SP-80
- Lead Free Version Available

| Model Number | | | Carton Quantities | | |
|------------------|------------------|----------------------|-------------------|-------|--------|
| IPS WHEEL HANDLE | IPS CROSS HANDLE | IPS CURB STOP HANDLE | SIZE | INNER | MASTER |
| 513T04 | - | - | 3/4" | 5 | 50 |
| 513T05 | - | - | 1" | 5 | 40 |
| 513T06 | - | - | 1-1/4" | 4 | 24 |
| 513T07 | - | - | 1-1/2" | 4 | 24 |
| 513T08 | 513T08X | 513T08CS | 2" | 1 | 6 |
| - | 513T09X | - | 2-1/2" | 1 | 10 |
| - | 513T10X | - | 3" | 1 | 6 |

Replacement handles of each type are available.

Quick Opening Gate Valve - Without Spring - Cast Bronze 730

- 125 SWP
- 200 WOG

| Model Number | | Carton Quantities | |
|--------------|--------|-------------------|--------|
| IPS ONLY | SIZE | INNER | MASTER |
| 730T03 | 1/2" | 20 | 100 |
| 730T04 | 3/4" | 20 | 100 |
| 730T05 | 1" | 10 | 50 |
| 730T06 | 1-1/4" | 10 | 50 |
| 730T07 | 1-1/2" | 6 | 30 |
| 730T08 | 2" | 4 | 20 |
| 730T09 | 2-1/2" | 2 | 12 |
| 730T10 | 3" | 2 | 10 |
| 730T11 | 4" | 1 | 5 |



Bronze Y Strainers



145T



145CLF



146LF

145

Y Strainer - Cast Bronze - With Brass Plug - 20 Mesh Stainless Steel Screen

- 150 SWP
- 300 WOG
- MSS-SP-80
- IPS Lead Free Version Available
- CxC Only Available in Standard Version

| Model Number | | | Carton Quantities | | |
|--------------|----------|--------|-------------------|-------|--------|
| IPS | CxC | SIZE | | INNER | MASTER |
| 145T01 | - | 1/4" | 1/8" | 12 | 48 |
| 145T02 | - | 3/8" | 1/8" | 12 | 48 |
| 145T03 | 145C03LF | 1/2" | 1/4" | 12 | 48 |
| 145T04 | 145C04LF | 3/4" | 1/4" | 8 | 48 |
| 145T05 | 145C05LF | 1" | 3/8" | 8 | 32 |
| 145T06 | 145C06LF | 1-1/4" | 3/8" | 8 | 24 |
| 145T07 | 145C07LF | 1-1/2" | 1/2" | 2 | 16 |
| 145T08 | 145C08LF | 2" | 1/2" | 2 | 8 |
| 145T09 | - | 2-1/2" | 1-1/4" | 1 | 6 |
| 145T10 | - | 3" | 1-1/2" | 1 | 4 |

Replacement Screens Available.

146LF

Lead Free Y Strainer - Brass - Compact

- Max Working Pressure: 200 PSI
- Working Temperature: 32 - 212°F

| Model Number | SIZE | Carton Quantities | |
|--------------|--------|-------------------|--------|
| | | INNER | MASTER |
| 146T03LF | 1/2" | 19 | 96 |
| 146T04LF | 3/4" | 7 | 84 |
| 146T05LF | 1" | 6 | 72 |
| 146T06LF | 1-1/4" | 2 | 24 |
| 146T07LF | 1-1/2" | 2 | 24 |





521T



521CLF



521N



530T



532T

Swing Check Valve - Cast Brass - Brass Seat

521

- 125 SWP • 200 WOG • IPS Lead Free Version Available

| Model Number | | Carton Quantities | | |
|---------------------|--------------------|-------------------|-------|--------|
| IPS | CxC LEAD FREE ONLY | SIZE | INNER | MASTER |
| 521T02 | - | 3/8" | 10 | 120 |
| 521T03 | 521C03LF | 1/2" | 10 | 120 |
| 521T04 | 521C04LF | 3/4" | 10 | 80 |
| 521T05 | 521C05LF | 1" | 5 | 60 |
| 521T06 | 521C06LF | 1-1/4" | 5 | 40 |
| 521T07 | 521C07LF | 1-1/2" | 5 | 30 |
| 521T08 | 521C08LF | 2" | 2 | 24 |
| LEAD FREE AVAILABLE | | | | |
| 521T09 | 521C09 | 2-1/2" | 1 | 15 |
| 521T10 | 521C10 | 3" | 1 | 6 |
| 521T11 | 521C11 | 4" | 1 | 6 |

Swing Check Valve - Cast Brass - BUNA-N Seat

521N

- 200 WOG • Lead Free Version Available

| Model Number | | Carton Quantities | |
|--------------|--------|-------------------|--------|
| | SIZE | INNER | MASTER |
| 521N02 | 3/8" | 1 | 120 |
| 521N03 | 1/2" | 10 | 120 |
| 521N04 | 3/4" | 10 | 80 |
| 521N05 | 1" | 5 | 60 |
| 521N06 | 1-1/4" | 1 | 40 |
| 521N07 | 1-1/2" | 5 | 20 |
| 521N08 | 2" | 1 | 24 |
| 521N09 | 2-1/2" | 1 | 15 |
| 521N010 | 3" | 1 | 6 |
| 521N011 | 4" | 1 | 6 |

Swing Check Valve - Cast Bronze B62 - Bronze Disc - Horizontal Pattern

530

- 150 SWP • 300 WOG • IPS Lead Free Version Available

| Model Number | | Carton Quantities | | |
|----------------------------|--------------------|-------------------|-------|--------|
| IPS | IPS LEAD FREE ONLY | SIZE | INNER | MASTER |
| 530T02 | - | 3/8" | 10 | 120 |
| - | 530T03LF | 1/2" | 10 | 120 |
| - | 530T04LF | 3/4" | 10 | 80 |
| - | 530T05LF | 1" | 5 | 60 |
| - | 530T06LF | 1-1/4" | 5 | 40 |
| - | 530T07LF | 1-1/2" | 5 | 30 |
| ONLY AVAILABLE IN STANDARD | | | | |
| 530T09 | 530T03LF | 2-1/2" | 1 | 15 |
| 530T10 | 530T03LF | 3" | 1 | 6 |
| 530T11 | 530T04LF | 4" | 1 | 6 |

Swing Check Valve Y Pattern - Bronze B62

532

- 150 SWP • 300 WOG

| Model Number | | Carton Quantities | |
|--------------|--------|-------------------|--------|
| IPS | SIZE | INNER | MASTER |
| 532T03 | 1/2" | 10 | 90 |
| 532T04 | 3/4" | 10 | 80 |
| 532T05 | 1" | 10 | 60 |
| 532T06 | 1-1/4" | 5 | 30 |
| 532T07 | 1-1/2" | 4 | 24 |
| 532T08 | 2" | 2 | 16 |



Check Valves | FOOT, PVC & SUMP PUMP



523S



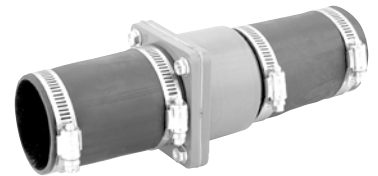
523T



525T



527TLF



529

Check Valve / FOOT, PVC & SUMP PUMP

| 523 | | PVC Inline Check Valve - 304 SS Spring - 1/2 PSI Crack Pressure - One Piece | | |
|-------------------------|----------|---|-------|--------|
| • Max 150 PSI @ 122 ° F | | | | |
| Model Number | | Carton Quantities | | |
| SOLVENT | THREADED | SIZE | INNER | MASTER |
| 523S03 | 523T03 | 1/2" | 1 | 120 |
| 523S04 | 523T04 | 3/4" | 1 | 120 |
| 523S05 | 523T05 | 1" | 1 | 80 |
| 523S06 | 523T06 | 1-1/4" | 1 | 60 |
| 523S07 | 523T07 | 1-1/2" | 1 | 60 |
| 523S08 | 523T08 | 2" | 1 | 40 |

| 525 | | Inline Check Valve - Spring Loaded - Bronze B62 - 1/2 PSI Crack Pressure | | |
|-----------------------------------|----------|--|-------|--------|
| • 200 WOG | | | | |
| • IPS Lead Free Version Available | | | | |
| • CxC Available in Lead Free Only | | | | |
| Model Number | | Carton Quantities | | |
| IPS | CxC | SIZE | INNER | MASTER |
| 525T03 | 525C03LF | 1/2" | 10 | 100 |
| 525T04 | 525C04LF | 3/4" | 10 | 80 |
| 525T05 | 525C05LF | 1" | 6 | 60 |
| 525T06 | 525C06LF | 1-1/4" | 4 | 40 |
| 525T07 | 525C07LF | 1-1/2" | 5 | 30 |
| 525T08 | 525C08LF | 2" | 5 | 20 |

| 527LF | | Lead Free Foot Valve - Stainless Steel Screen - Bronze B62 | | |
|--------------|--------|--|--------|--|
| • 200 WOG | | | | |
| Model Number | | Carton Quantities | | |
| IPS | SIZE | INNER | MASTER | |
| 527T03LF | 1/2" | 1 | 100 | |
| 527T04LF | 3/4" | 1 | 80 | |
| 527T05LF | 1" | 1 | 60 | |
| 527T06LF | 1-1/4" | 1 | 40 | |
| 527T07LF | 1-1/2" | 1 | 30 | |
| 527T08LF | 2" | 1 | 20 | |

| 529 | | Sump Pump Check Valve - Flexible Rubber Connections - Stainless Steel Clamps | | |
|--------------|-----------------|--|--------|--|
| Model Number | | Carton Quantities | | |
| | SIZE | INNER | MASTER | |
| 529-0706 | 1-1/2" x 1-1/4" | 10 | 50 | |
| 529-0808 | 2" x 2" | 10 | 50 | |



Vacuum Breaker, Ball Drip Valve & Back Flow Preventers



646AS4



BDVLF



BFP-90LF



DCVLF

| Hose Bibb Vacuum Breaker - Brass - With Break - Away Set Screw | | | |
|--|--------------------|--|--------|
| | | 646AS | |
| <ul style="list-style-type: none"> • Lead Free Version Available • Conforms to ASSE 1011 | | <ul style="list-style-type: none"> • 3/4" Hose Connection | |
| Model Number | | Carton Quantities | |
| IPS | SIZE | INNER | MASTER |
| 646AS4 | 3/4" Brass Finish | 12 | 144 |
| 646ASC | 3/4" Chrome Plated | 12 | 144 |
| | | | |

| Lead Free Dual Check Back Flow Preventer - Brass | | | |
|---|------|--|--------|
| | | DCVLF | |
| <ul style="list-style-type: none"> • ASSE 1024 Compliant | | <ul style="list-style-type: none"> • Max 175 PSI @140 ° F | |
| Model Number | | Carton Quantities | |
| IPS | SIZE | INNER | MASTER |
| DCV-04LF | 3/4" | 1 | 24 |
| DCV-05LF | 1" | 1 | 24 |
| | | | |

| Lead Free Ball Drip Valve - Brass - Two Piece | | | |
|---|------|-------------------|--------|
| | | BDVLF | |
| Model Number | | Carton Quantities | |
| IPS | SIZE | INNER | MASTER |
| BDV-03LF | 1/2" | 10 | 100 |
| BDV-04LF | 3/4" | 10 | 100 |

| Lead Free Back Flow Preventer - Brass - With Atmospheric Vent | | | | |
|--|----------------|-------------------|-------|--------|
| | | BFPLF | | |
| <ul style="list-style-type: none"> • Max 175 PSI @250 ° F | | | | |
| Model Number | | Carton Quantities | | |
| IPS | CxC | SIZE | INNER | MASTER |
| BFP-90-1/2LF | BFP-90-1/2-CLF | 1/2" FIP | 1 | 24 |
| BFP-90-3/4LF | | 3/4" FIP | 1 | 24 |

Vacuum Breaker, Ball Drip Valve & Back Flow Preventers

Join Our Email List




Brass Boiler Drains | FULL FLOW




Brass Boiler Drains / FULL FLOW

| 205F | | Boiler Drain - 3/4" Hose Outlet - Angle Spout - With Stuffing Box | | |
|-------------------------------|-------|---|--------|--|
| • Lead Free Version Available | | • 125 PSI | | |
| Model Number | | Carton Quantities | | |
| MIP | INLET | INNER | MASTER | |
| 205F03* | 1/2" | 12 | 72 | |
| 205F04 | 3/4" | 12 | 72 | |
| * 1/2" MIP & 1/2" SWT Inlet | | | | |
| FIP | | | | |
| 205FF3 | 1/2" | 12 | 72 | |
| 205FF4 | 3/4" | 12 | 72 | |

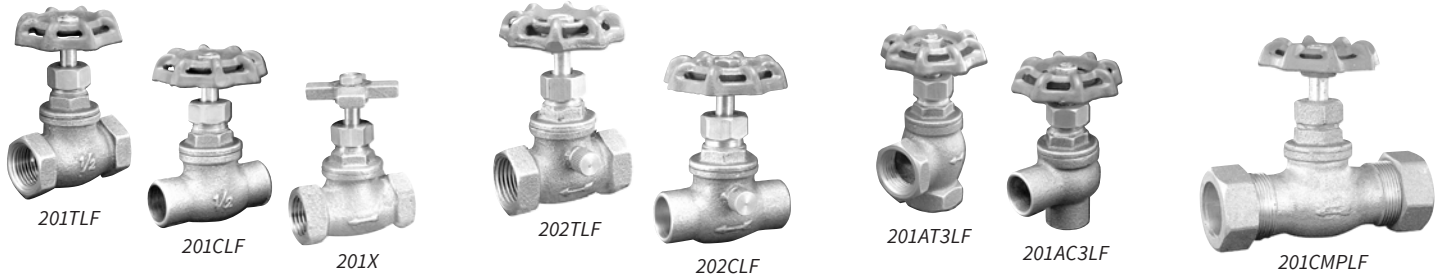
| 205 | | Boiler Drain - 3/4" Hose Outlet - With Stuffing Box | | |
|------------------------------------|--------|---|-------|--------|
| • Lead Free Version Available | | • 125 PSI | | |
| Model Number | | Carton Quantities | | |
| MIP | FIP | INLET | INNER | MASTER |
| 205TM3* | 205TF3 | 1/2" | 12 | 72 |
| 205TM4 | 205TF4 | 3/4" | 12 | 72 |
| * 1/2" MIP & 1/2" SWT Inlet | | | | |
| CTS COMPRESSION WITH NUT & FERRULE | | | | |
| 205TR3 | | 1/2" | 12 | 72 |

| 205CM | | Boiler Drain - 3/4" Hose Outlet - Angle Spout - With Stuffing Box | | |
|---|------------------------|---|--------|--|
| • 125 PSI | | | | |
| Model Number | | Carton Quantities | | |
| | INLET | INNER | MASTER | |
| 205CM3 | 1/2" Male Copper Sweat | 12 | 72 | |
|  | | | | |

| 204 | | Boiler Drain - 3/4" Hose Outlet - Less Stuffing Box | | |
|---|----------------------------------|---|-------|--------|
| • Lead Free Version Available | | • 125 PSI | | |
| Model Number | | Carton Quantities | | |
| MIP | FIP | INLET | INNER | MASTER |
| 204TM3* | 204TF3 | 1/2" | 12 | 72 |
| 204TM4 | 204TF4 | 3/4" | 12 | 72 |
| 204LS3* | Long Shank 1/2" MIP With Locknut | | 12 | 72 |
| * 1/2" MIP & 1/2" SWT Inlet | | | | |
|  | | | | |

| 214LF | | Lead Free Boiler Drain - Quarter Turn - 3/4" Hose Outlet | | |
|-----------------------------|-------|--|--------|--|
| • 125 PSI | | | | |
| Model Number | | Carton Quantities | | |
| MIP | INLET | INNER | MASTER | |
| 214M03LF* | 1/2" | 10 | 100 | |
| 214M04LF | 3/4" | 10 | 100 | |
| * 1/2" MIP & 1/2" SWT Inlet | | | | |
| FIP | | | | |
| 214F03LF | 1/2" | 10 | 100 | |
| 214F04LF | 3/4" | 10 | 100 | |





| Stop Valve - Globe Style - Brass - Soft Seat | | | | | 201 |
|--|----------|-------------------|-------|--------|-----|
| <ul style="list-style-type: none"> • 125 PSI • IPS and CxC Lead Free Only • IPS with Cross Handle Lead Free Version Available | | | | | |
| Model Number | | Carton Quantities | | | |
| IPS | CxC | SIZE | INNER | MASTER | |
| 201T03LF | 201C03LF | 1/2" | 12 | 72 | |
| 201T04LF | 201C04LF | 3/4" | 12 | 72 | |
| IPS WITH CROSS HANDLE | | | | | |
| | 201X03 | 1/2" | 12 | 72 | |
| | 201X04 | 3/4" | 12 | 72 | |

| Lead Free Angle Stop Valve - Globe Style - Brass - Soft Seat | | | | | 201A |
|--|----------|-------------------|-------|--------|------|
| • 125 PSI | | | | | |
| Model Number | | Carton Quantities | | | |
| | | SIZE | INNER | MASTER | |
| | 201AT3LF | 1/2" IPS | 12 | 72 | |
| | 201AC3LF | 1/2" CxC | 12 | 72 | |

| Stop & Waste Valve - Globe Style - Brass - Soft Seat | | | | | 202LF |
|--|----------|-------------------|-------|--------|-------|
| • 125 PSI | | | | | |
| Model Number | | Carton Quantities | | | |
| IPS | CxC | SIZE | INNER | MASTER | |
| 202T03LF | 202C03LF | 1/2" | 12 | 72 | |
| 202T04LF | 202C04LF | 3/4" | 12 | 72 | |

| Lead Free Stop & Waste Valve - Brass Nut & Ferrule | | | | | 201/202CMLF |
|--|----------------|-------------------|-------|--------|-------------|
| • 125 PSI • With Compression Ends for Copper Tube Pipe | | | | | |
| Model Number | | Carton Quantities | | | |
| | WITH WASTE CAP | SIZE | INNER | MASTER | |
| 201CMPLF | 202CMPLF | 1/2" nominal | 12 | 72 | |
| 201CM4LF | 202CM4LF | 3/4" nominal | 12 | 72 | |

Need Help?

CONTACT US DIRECTLY

1. mail@matco-norca.com
2. (800) 688-2583
3. [matco-norca.com/contact us](http://matco-norca.com/contact-us)


Contact Us





Aztec Low Pressure Valves | SILLCOCKS





Aztec Low Pressure Valves / SILLCOCKS

| AZ203 Aztec Bent Nose Garden Valve With Stuffing Box - Brass - Graphite Packing | | | |
|--|-------------------|--------------------|--------|
| • Lead Free Version Available | | • 3/4" Hose Outlet | |
| • 125 PSI | | | |
| Model Number | Carton Quantities | | |
| | INLET | INNER | MASTER |
| AZ203TF3 | 1/2" FIP | 12 | 72 |
| AZ203TF4 | 3/4" FIP | 12 | 72 |
| AZ203TF5 | 1" FIP | 12 | 72 |
|  | | | |


| AZ206 Aztec Sillcock With Stuffing Box - Brass - Graphite Packing | | | |
|---|---|--------------------|--------|
| • Lead Free Version Available | | • 3/4" Hose Outlet | |
| • 125 PSI | | | |
| Model Number | Carton Quantities | | |
| | INLET | INNER | MASTER |
| AZ206C034 | 3/4" Copper Fitting & 1/2" Copper Sweat | 12 | 72 |
| AZ206T03 | 1/2" FIP | 12 | 72 |
| AZ206T04 | 3/4" FIP | 12 | 72 |
|  | | | |

| AZ206/LK Aztec Sillcock - Loose Key - Brass - Graphite Packing | | | |
|---|-------------------|--------------------|--------|
| • Lead Free Version Available | | • 3/4" Hose Outlet | |
| • 125 PSI | | | |
| Model Number | Carton Quantities | | |
| | INLET | INNER | MASTER |
| AZ206T03LK | 1/2" FIP | 12 | 72 |
| AZ206T04LK | 3/4" FIP | 12 | 72 |
|  | | | |

| AZ205 Aztec Boiler Drain With Stuffing Box - Brass - Graphite Packing | | | |
|---|---|--------------------|--------|
| • Lead Free Version Available | | • 3/4" Hose Outlet | |
| • 125 PSI | | | |
| Model Number | Carton Quantities | | |
| | INLET | INNER | MASTER |
| AZ205C034 | 3/4" Copper Fitting & 1/2" Copper Sweat | 12 | 72 |
| AZ205TF3 | 1/2" FIP | 12 | 72 |
| AZ205TF4 | 3/4" FIP | 12 | 72 |
| AZ205TM3 | 1/2" MIP | 12 | 72 |
| AZ205TM4 | 3/4" MIP | 12 | 72 |
|  | | | |

| AZ206/VB Aztec Sillcock With Vacuum Breaker - Brass - Graphite Packing | | | |
|---|-------------------|--------------------|--------|
| • Lead Free Version Available | | • 3/4" Hose Outlet | |
| • 125 PSI | | | |
| Model Number | Carton Quantities | | |
| | INLET | INNER | MASTER |
| AZ206T03/VB | 1/2" FIP | 12 | 72 |
| AZ206T04/VB | 3/4" FIP | 12 | 72 |
|  | | | |

| AZ206PXLF Lead Free Aztec PEX Sillcock - Brass - Heavy Duty - Large Flange | | | |
|---|---------------------------|--------------------|--------|
| • 125 PSI | | • 3/4" Hose Outlet | |
| Model Number | Carton Quantities | | |
| | INLET | INNER | MASTER |
| AZ206PX03FLF | 1/2" PEX F1807 x 3/4" MIP | 4 | 60 |
|  | | | |

| AZ206PXCELF Lead Free Aztec Cold Expansion PEX Sillcock - Brass - Heavy Duty - Large Flange | | | |
|--|--|--------------------|--------|
| • 125 PSI | | • 3/4" Hose Outlet | |
| Model Number | Carton Quantities | | |
| | INLET | INNER | MASTER |
| AZ206PXCE03FLF | 1/2" Cold Expansion F1960 PEX x 3/4" MIP | 4 | 60 |
|  | | | |



SILCOCKS | Aztec Low Pressure Valves



AZ646R



AZ207C04



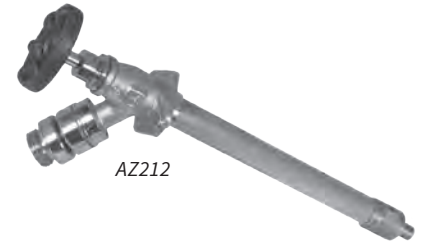
AZ207TF



AZ207TR



AZ207TMLK



AZ212

Aztec Hose Bibb With Tee Handle - Graphite Packing **AZ646R**

- Lead Free Version Available
- 3/4" Hose Outlet
- 125 PSI

| Model Number | Carton Quantities | | |
|--------------|-------------------|-------|--------|
| | INLET | INNER | MASTER |
| AZ646R03 | 1/2" MIP | 12 | 72 |
| AZ646R04 | 3/4" MIP | 12 | 72 |



Aztec Loose Key Valve - No Kink - Brass - Graphite Packing **AZ207**

- Lead Free Version Available
- 3/4" Hose Outlet
- 125 PSI

| Model Number | Carton Quantities | | |
|--------------|-------------------|-------|--------|
| | INLET | INNER | MASTER |
| AZ207TF3LK | 1/2" FIP | 12 | 72 |
| AZ207TF4LK | 3/4" FIP | 12 | 72 |
| AZ207TM3LK | 1/2" MIP | 12 | 72 |
| AZ207TM4LK | 3/4" MIP | 12 | 72 |

Aztec No Kink Hose Bibb - Brass - Graphite Packing **AZ207**

- Lead Free Version Available
- 3/4" Hose Outlet
- 125 PSI

| Model Number | Carton Quantities | | |
|--------------|---|-------|--------|
| | INLET | INNER | MASTER |
| AZ207C04 | 3/4" Copper Fitting and 1/2" Copper Sweat | 12 | 72 |
| AZ207TF3 | 1/2" FIP | 12 | 72 |
| AZ207TF4 | 3/4" FIP | 12 | 72 |
| AZ207TM3 | 1/2" MIP | 12 | 72 |
| AZ207TM4 | 3/4" MIP | 12 | 72 |
| AZ207TR3 | 1/2" CTS Compression With Nut & Ferrule | 12 | 72 |



Lead Free Aztec Frost Free Sillcock - Anti-Siphon - With Self Draining Vacuum Breaker - Brass - Graphite Packing **AZ212LF**

- Max. Temperature 160 °F
- Max. Pressure 125 °F

| Model Number | LENGTH | Carton Quantities | |
|--------------|--------|-------------------|--------|
| | | INNER | MASTER |
| AZ212002LF | 2" | 1 | 24 |
| AZ212004LF | 4" | 1 | 24 |
| AZ212006LF | 6" | 1 | 24 |
| AZ212008LF | 8" | 1 | 24 |
| AZ212010LF | 10" | 1 | 24 |
| AZ212012LF | 12" | 1 | 24 |



Lead Free Aztec PEX Frost Free Sillcock - Anti-Siphon - With Self Draining Vacuum Breaker - Brass - Graphite Packing **AZ212PXLF**

- Max. Temperature 160 °F
- Max. Pressure 125 °F

| Model Number | LENGTH | Carton Quantities | |
|--------------|--------|-------------------|--------|
| | | INNER | MASTER |
| AZ212004PXLF | 4" | 1 | 24 |
| AZ212006PXLF | 6" | 1 | 24 |
| AZ212008PXLF | 8" | 1 | 24 |
| AZ212010PXLF | 10" | 1 | 24 |
| AZ212012PXLF | 12" | 1 | 24 |



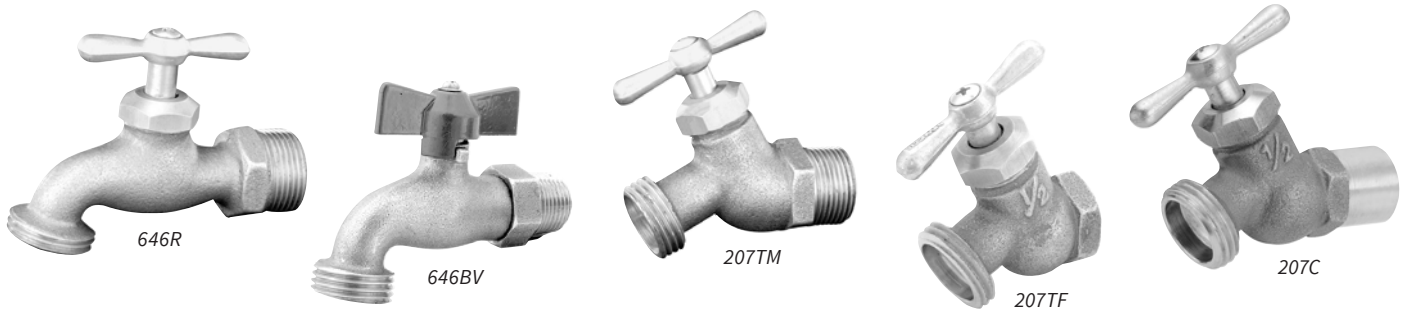
Lead Free Aztec Cold Expansion PEX Frost Free Sillcock - Anti-Siphon - With Self Draining Vacuum Breaker - Brass - Graphite Packing **AZ212PXCEL**

- Max. Temperature 160 °F
- Max. Pressure 125 °F

| Model Number | LENGTH | Carton Quantities | |
|---------------|--------|-------------------|--------|
| | | INNER | MASTER |
| AZ212004PXCEL | 4" | 1 | 24 |
| AZ212006PXCEL | 6" | 1 | 24 |
| AZ212008PXCEL | 8" | 1 | 24 |
| AZ212010PXCEL | 10" | 1 | 24 |
| AZ212012PXCEL | 12" | 1 | 24 |



Hose Bibbs | BALL VALVE



Hose Bibbs / BALL VALVE HOSE BIBBS

| 646R Hose Bibb - Male - Cast Brass - 3/4" Hose Outlet | | | |
|---|------------------------------------|-----------|--------|
| • Lead Free Version Available | | • 125 PSI | |
| Model Number | Carton Quantities | | |
| | INLET | INNER | MASTER |
| 646R03 | 1/2" MIP & 1/2" SWT x 3/4" Hose | 12 | 72 |
| 646R04 | 3/4" MIP x 3/4" Hose | 12 | 72 |
| 646R05 | 1" MIP x 1" Hose | 12 | 48 |
| 646HAN | Replacement Handle for 1/2" & 3/4" | 1 | 100 |

| 646BV Ball Valve Hose Bibb - Forged Brass - 1/4 Turn - 3/4" Hose Outlet | | | | |
|---|---------------------|-----------|-------|--------|
| • Lead Free Version Available | | • 125 PSI | | |
| Model Number | Carton Quantities | | | |
| | MIP | INLET | INNER | MASTER |
| 646BV03 | 1/2" MIP & 1/2" SWT | 12 | 24 | |
| 646BV04 | 3/4" MIP | 12 | 24 | |
| P646BVC43H | Replacement Handles | 1 | 1000 | |

| 207 No Kink Hose Bibb - Brass - 3/4" Hose Outlet | | | | |
|--|----------------------------------|-----------|-------|--------|
| • Lead Free Version Available | | • 125 PSI | | |
| Model Number | Carton Quantities | | | |
| | MIP | INLET | INNER | MASTER |
| 207TM3 | 1/2" | 12 | 72 | |
| 207TM4 | 3/4" | 12 | 72 | |
| FIP | | | | |
| 207TF3 | 1/2" | 12 | 72 | |
| 207TF4 | 3/4" | 12 | 72 | |
| SWEAT | | | | |
| 207C04 | 1/2" Sweat & 3/4" Copper Fitting | 12 | 72 | |



Plumbing Specialty Brass Hose Bibbs



Hose Bibb - Brass - Tee Handles

FY

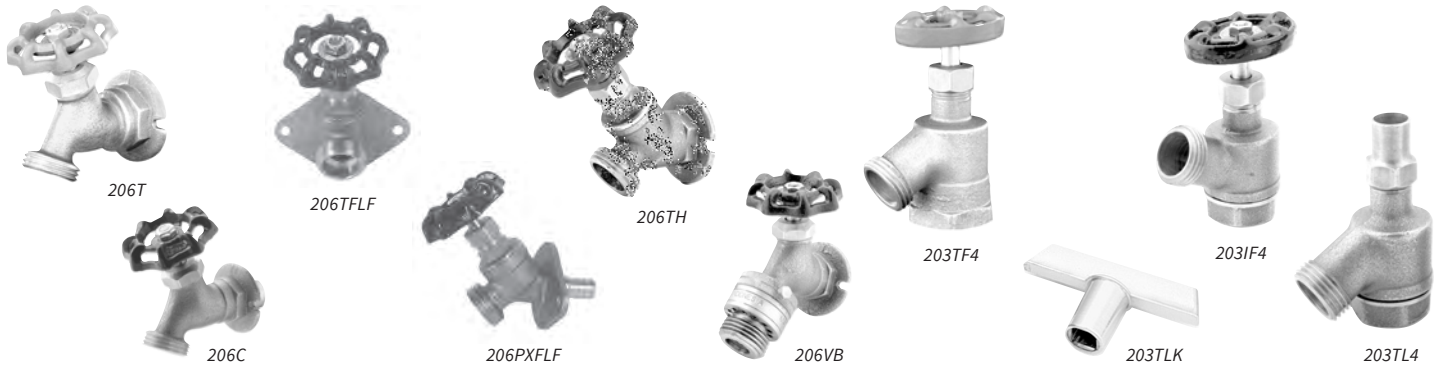
- Lead Free Version Available
- 125 PSI

| Model Number | Carton Quantities | |
|--------------|---|--------|
| | INNER | MASTER |
| | INLET | |
| FY-675 | 12 | 72 |
| | Chrome Plated Hose Bibb Plain End Outlet 1/2" FIP Inlet - Flanged | |
| FY-680 | 12 | 72 |
| | Chrome Plated Hose Bibb 3/4" Hose End Outlet 1/2" FIP Inlet - Flanged | |
| FY-681 | 12 | 72 |
| | Chrome Plated Hose Bibb Plain End Outlet 1/2" MIP Inlet - Adj. Flange | |
| FY-682 | 12 | 72 |
| | Chrome Plated Hose Bibb 3/4" Hose End Outlet 1/2" MIP Inlet - Adj. Flange | |
| FY-685* | 12 | 72 |
| | Chrome Plated Hose Bibb 3/4" Hose End Outlet 1/2" FIP Inlet | |
| FY-690 | 12 | 72 |
| | Chrome Plated Hose Bibb 3/4" Hose End Outlet 1/2" MIP Inlet | |
| FY-691 | 12 | 72 |
| | Chrome Plated Hose Bibb Plain End Outlet 1/2" MIP Inlet | |
| FY-691PB* | 12 | 72 |
| | Polished Brass Hose Bibb (not shown) Plain End Outlet 1/2" MIP Inlet | |
| FY-692 | 12 | 72 |
| | Rough Brass Hose Bibb Plain End Outlet 1/2" MIP Inlet | |
| FY-693LF | 12 | 72 |
| | Chrome Plated Hose Bibb Plain End Outlet 3/4" MIP Inlet | |
| FY-694LF | 12 | 72 |
| | Rough Brass Hose Bibb Plain End Outlet 3/4" MIP Inlet | |
| FY-695 | 12 | 144 |
| | Chrome Plated Hose Bibb 3/4" Hose End Outlet 3/4" MIP Inlet | |

* Only Available in Standard



Brass Sillcocks / Garden Valves



Brass Sillcocks / Garden Valves

| 206 | | Sillcock - 3/4" Hose Outlet - Brass Body | | |
|-------------------------------|--------|--|-------|--------|
| • Lead Free Version Available | | • 125 PSI | | |
| Model Number | | Carton Quantities | | |
| FIP | SWEAT | INLET | INNER | MASTER |
| 206T03 | 206C03 | 1/2" | 12 | 72 |
| 206T04 | 206C04 | 3/4" | 12 | 72 |

| 206H | | Sillcock - Heavy Pattern - 3/4" Hose Outlet - Brass Body - With Stuffing Box | | |
|-------------------------------|----------|--|--------|--|
| • Lead Free Version Available | | • 125 PSI | | |
| Model Number | | Carton Quantities | | |
| FIP | INLET | INNER | MASTER | |
| 206T03H | 1/2" FIP | 12 | 72 | |
| 206T04H | 3/4" FIP | 12 | 72 | |



| 206FLF | | Lead Free Sillcock - 3/4" Hose Outlet - Brass Body - Large Flange | | |
|-------------------------------|----------------|---|-------|--------|
| • Lead Free Version Available | | • 125 PSI | | |
| Model Number | | Carton Quantities | | |
| FIP | SWEAT | INLET | INNER | MASTER |
| 206T03FLF | 206C03FLF | 1/2" | 4 | 40 |
| PEX | COLD EXPANSION | | | |
| 206PX03FLF | 206PXCE03FLF | 1/2" | 6 | 60 |

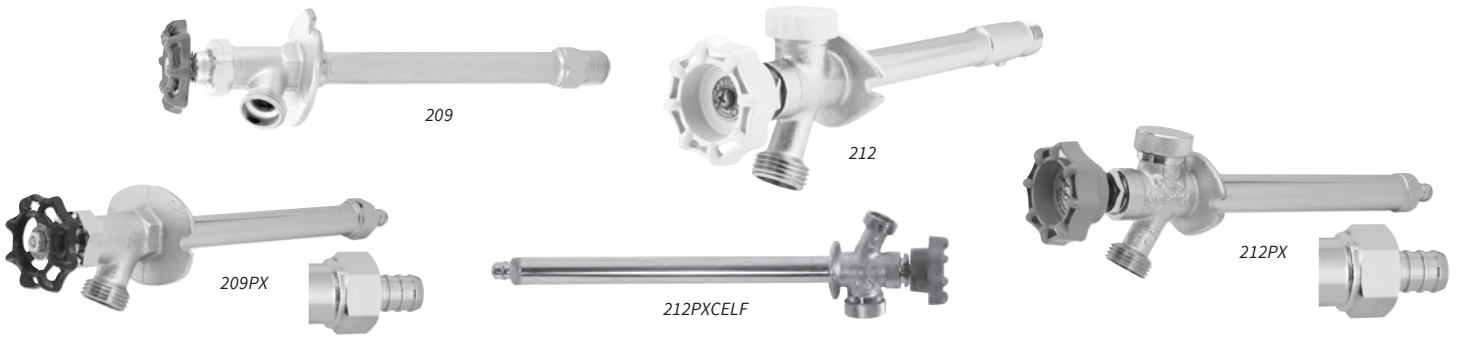
| 206VB | | Sillcock - With ASSE 1011 Vacuum Breaker - 3/4" Hose Outlet | | |
|-------------------------------|----------|---|--------|--|
| • Lead Free Version Available | | • 125 PSI | | |
| Model Number | | Carton Quantities | | |
| FIP | INLET | INNER | MASTER | |
| 206T03VB | 1/2" FIP | 12 | 72 | |

| 203 | | Garden Valve - Bent Nose - Female - 3/4" Hose Outlet | | |
|-------------------------------|----------|--|--------|--|
| • Lead Free Version Available | | • 125 PSI | | |
| Model Number | | Carton Quantities | | |
| BENT NOSE | INLET | INNER | MASTER | |
| 203TF3 | 1/2" FIP | 12 | 72 | |
| 203TF4 | 3/4" FIP | 12 | 72 | |
| 203TF5 | 1" FIP | 12 | 72 | |
| INVERTED NOSE | | | | |
| 203IF4 | 3/4" FIP | 12 | 72 | |
| LOOSE KEY | | | | |
| 203TL3 | 1/2" | 12 | 72 | |
| 203TL4 | 3/4" | 12 | 72 | |
| 203TL5 | 1" | 12 | 72 | |
| KEY ONLY | | | | |
| 203TLK | | 1 | 200 | |



Join Our Email List





| Frost Free Sillcock - 3/4" Hose Outlet | | | | | 209 |
|---|----------------------------------|-------------------|-------|--------|-----|
| • 125 PSI | | | | | |
| Model Number | | Carton Quantities | | | |
| Lead Free Version Available 1/2" MIP & 1/2" SWT INLET | ONLY AVAILABLE IN STANDARD | LENGTH | INNER | MASTER | |
| 209004 | | 4" | 1 | 24 | |
| 209006 | | 6" | 1 | 24 | |
| 209008 | | 8" | 1 | 24 | |
| 209010 | | 10" | 1 | 24 | |
| 209012 | | 12" | 1 | 24 | |
| 209014 | | 14" | 1 | 24 | |
| WITH LOOSE KEY | | | | | |
| 209008LK | | 8" | 1 | 24 | |
| 209010LK | | 10" | 1 | 24 | |
| 209012LK | | 12" | 1 | 24 | |
| Lead Free Version Available 3/4" MIP & 1/2" FIP INLET | ONLY AVAILABLE IN STANDARD | | | | |
| 209404 | | 4" | 1 | 24 | |
| 209406 | | 6" | 1 | 24 | |
| 209408 | | 8" | 1 | 24 | |
| 209410 | | 10" | 1 | 24 | |
| 209412 | | 12" | 1 | 24 | |
| 209414 | | 14" | 1 | 24 | |

| Frost Free Sillcock - Pex - 3/4" Hose Outlet | | | | 209PX |
|--|------|-------------------|--------|-------|
| • 125 PSI | | | | |
| Model Number | | Carton Quantities | | |
| 1/2" PEX INLET | SIZE | INNER | MASTER | |
| 209004PX | 4" | 1 | 24 | |
| 209006PX | 6" | 1 | 24 | |
| 209008PX | 8" | 1 | 24 | |
| 209010PX | 10" | 1 | 24 | |
| 209012PX | 14" | 1 | 24 | |

| Frost Free Sillcock - Anti Syphon - 3/4" Hose Outlet | | | | 212 |
|--|--------|-------------------|--------|-----|
| • 125 PSI • Lead Free Version Available | | | | |
| Model Number | | Carton Quantities | | |
| 1/2" MIP & 1/2" SWT INLET | LENGTH | INNER | MASTER | |
| 212004 | 4" | 1 | 24 | |
| 212006 | 6" | 1 | 24 | |
| 212008 | 8" | 1 | 24 | |
| 212010 | 10" | 1 | 24 | |
| 212012 | 12" | 1 | 24 | |
| 212014 | 14" | 1 | 24 | |

212KIT - Vacuum Breaker Kit Available.

| Frost Free Sillcock - Pex - Anti Syphon - 3/4" Hose Outlet | | | | | 212PX |
|--|--------|-------------------|--------|--|-------|
| • 125 PSI • Lead Free Version Available | | | | | |
| Model Number | | Carton Quantities | | | |
| 1/2" PEX INLET | LENGTH | INNER | MASTER | | |
| 212004PX | 4" | 1 | 24 | | |
| 212006PX | 6" | 1 | 24 | | |
| 212008PX | 8" | 1 | 24 | | |
| 212010PX | 10" | 1 | 24 | | |
| 212012PX | 12" | 1 | 24 | | |
| 212014PX | 14" | 1 | 24 | | |

| Frost Free Sillcock - Cold Expansion Pex - Anti Syphon - 3/4" Hose Outlet | | | | 212PXCSELF |
|---|--------|-------------------|--------|------------|
| • 125 PSI Non-shock | | | | |
| Model Number | | Carton Quantities | | |
| 1/2" PEX F1960 INLET | LENGTH | INNER | MASTER | |
| 212004PXCSELF | 4" | 1 | 24 | |
| 212006PXCSELF | 6" | 1 | 24 | |
| 212008PXCSELF | 8" | 1 | 24 | |
| 212010PXCSELF | 10" | 1 | 24 | |
| 212012PXCSELF | 12" | 1 | 24 | |
| 212014PXCSELF | 14" | 1 | 24 | |



Steam Radiator Angle & Gate Valves / Slip Nuts



BARVY



BARVYN



BARV



NT



SGV



BSGV

Steam Radiator Angle & Gate Valves / Slip Nuts

| BARVY | | Steam Radiator Angle Valve - Brass - Heavy Pattern | |
|--------------|---------------------------------|--|--------|
| • 15 SWP | | • 60 WOG | |
| Model Number | | Carton Quantities | |
| | | INNER | MASTER |
| BARVY-0500 | 1/2" FIP With Nut & Tailpiece | 10 | 60 |
| BARVY-0750 | 3/4" FIP With Nut & Tailpiece | 6 | 48 |
| BARVY-1000 | 1" FIP With Nut & Tailpiece | 4 | 36 |
| BARVY-1250 | 1-1/4" FIP With Nut & Tailpiece | 2 | 24 |
| BARVY-1500 | 1-1/2" FIP With Nut & Tailpiece | 2 | 16 |

| BARVYN | | Steam Radiator Angle Valve - Brass | |
|--------------|---------------------------------|------------------------------------|--------|
| • 15 SWP | | • 60 WOG | |
| Model Number | | Carton Quantities | |
| | | INNER | MASTER |
| BARVY-1001N | 1-1/2" FIP With Nut & Tailpiece | 4 | 36 |
| BARVY-1251N | 1-1/4" FIP With Nut & Tailpiece | 4 | 24 |

| NT | | Slip Nuts - Chrome | |
|--------------|--|--------------------|--------|
| Model Number | | Carton Quantities | |
| | | INNER | MASTER |
| NT-100 | 1" Nut & Tail Piece For BARVY-1000 & BARV-1000 | 10 | 36 |
| NT-125 | 1-1/4" Nut & Tail Piece For BARVY-1250 & BARV-1250 | 4 | 24 |

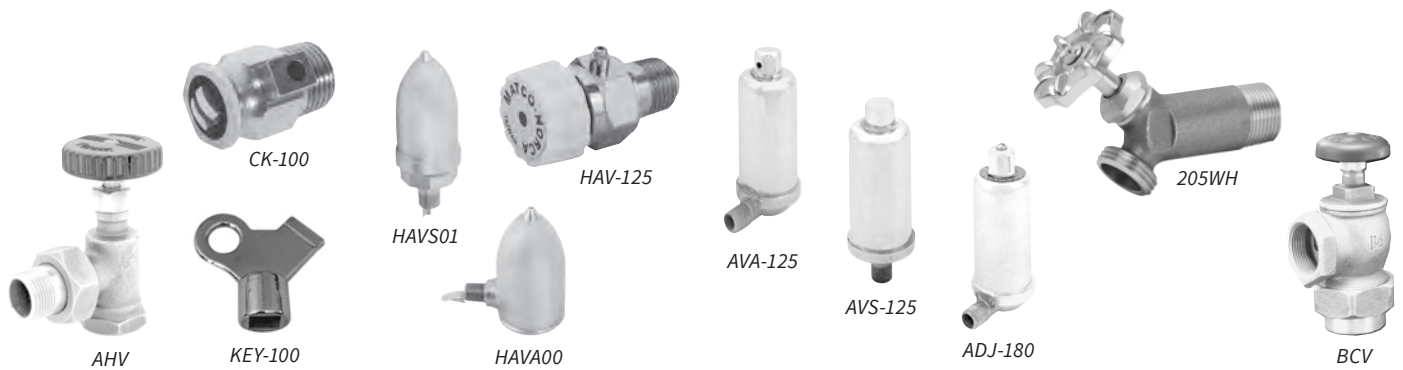
| BARV | | Steam Radiator Angle Valve - Bronze - Heavy Pattern | |
|--------------|---------------------------------|---|--------|
| • 15 SWP | | • 60 WOG | |
| Model Number | | Carton Quantities | |
| | | INNER | MASTER |
| BARV-0500 | 1/2" FIP With Nut & Tailpiece | 10 | 60 |
| BARV-0750 | 3/4" FIP With Nut & Tailpiece | 6 | 48 |
| BARV-1000 | 1" FIP With Nut & Tailpiece | 4 | 36 |
| BARV-1250 | 1-1/4" FIP With Nut & Tailpiece | 2 | 24 |
| BARV-1500 | 1-1/2" FIP With Nut & Tailpiece | 2 | 18 |
| BARV-2000 | 2" FIP With Nut & Tailpiece | 1 | 8 |

| SGV | | Steam Radiator Gate Valve - Brass | |
|--------------|---------------------------------|-----------------------------------|--------|
| • 125 SWP | | • 600 WOG | |
| Model Number | | Carton Quantities | |
| | | INNER | MASTER |
| SGV-1001 | 1" FIP With Nut & Tailpiece | 4 | 36 |
| SGV-1251 | 1-1/4" FIP With Nut & Tailpiece | 4 | 24 |

| BSGV | | Steam Radiator Gate Valve - Bronze - Heavy Pattern | |
|--------------|---------------------------------|--|--------|
| • 125 SWP | | • 600 WOG | |
| Model Number | | Carton Quantities | |
| | | INNER | MASTER |
| BSGV-0750 | 3/4" FIP With Nut & Tailpiece | 6 | 48 |
| BSGV-1000 | 1" FIP With Nut & Tailpiece | 4 | 36 |
| BSGV-1250 | 1-1/4" FIP With Nut & Tailpiece | 4 | 24 |
| BSGV-1500 | 1-1/2" FIP With Nut & Tailpiece | 4 | 24 |



Radiator Valve & Air Valves / Drain Valve, Convector Valve



| Angle Hot Water Radiator Valve - Brass | | | AHV | |
|---|---------------------------------|-------------------|--------|--|
| • 60 PSI Non-Shock Hot Water • 15 PSI Steam | | | | |
| Model Number | SIZE | Carton Quantities | | |
| | | INNER | MASTER | |
| AHV-0500 | 1/2" FIP With Nut & Tailpiece | 1 | 60 | |
| AHV-0750 | 3/4" FIP With Nut & Tailpiece | 1 | 60 | |
| AHV-1000 | 1" FIP With Nut & Tailpiece | 4 | 36 | |
| AHV-1250 | 1-1/4" FIP With Nut & Tailpiece | 2 | 24 | |
| AHV-0500C | 1/2" SWT With Nut & Tailpiece | 1 | 60 | |
| AHV-0750C | 3/4" SWT With Nut & Tailpiece | 1 | 60 | |

| Steam Air Vents - Chrome Plated | | | HAV | |
|---------------------------------|---------------------------|-------------------|--------|--|
| Model Number | SIZE | Carton Quantities | | |
| | | INNER | MASTER | |
| HAV-125 | 1/8" Auto Vent HW & Steam | 50 | 500 | |
| HAVA00 | 1/8" Angle | 12 | 72 | |
| HAVADJ00 | 1/8" Adjustable Angle | 12 | 72 | |
| HAVS00 | 1/8" Straight | 12 | 72 | |
| HAVS01 | 1/4" Straight | 12 | 72 | |
| HAVS0403 | 3/4" x 1/2" Straight | 12 | 72 | |

| Water Heater Drain Valve - Brass - Heavy Pattern | | | 205WH | |
|--|---|-------------------|--------|--|
| • Lead Free Version Available | | | | |
| Model Number | SIZE | Carton Quantities | | |
| | | INNER | MASTER | |
| 205WH4 | 3/4" x 2-1/4" Long 3/4" MIP & 1/2" FIP Inlet | 50 | 500 | |

| Coin Key Air Valve | | | CK/KEY | |
|--------------------|--|-------------------|--------|--|
| Model Number | SIZE | Carton Quantities | | |
| | | INNER | MASTER | |
| CK-100 | 1/8" Coin Key Air Valve Nickle Plated | 100 | 1000 | |
| CKU-102 | 1/8" Key Air Valve | 100 | 1000 | |
| KEY-100 | 1/8" Key For Air Valve | 100 | 2000 | |

| Chrome Plated Steam Air Valves | | | AVA/AVS/ADJ | |
|--------------------------------|--------------------------------|-------------------|-------------|--|
| • 10 PSI | | | | |
| Model Number | SIZE | Carton Quantities | | |
| | | INNER | MASTER | |
| AVA-125 | 1/8" Angle - MIP | 12 | 144 | |
| AVS-125 | 1/8" Straight - MIP | 1 | 144 | |
| AVS-250 | 1/4" Straight - MIP | 1 | 144 | |
| AVS-750 | 3/4" MIP & 1/2 FIP Straight | 1 | 144 | |
| ADJ-180 | 1/8" Angle MIP Adjustable | 12 | 144 | |

| Convector Valve - Bronze | | | BCV | |
|--------------------------|------------------------------|-------------------|--------|--|
| • 15 SWP • 60 WOG | | | | |
| Model Number | SIZE | Carton Quantities | | |
| | | INNER | MASTER | |
| BCV-1000 | 1" FIP With FIP Union | 2 | 24 | |
| BCV-1250 | 1-1/4" FIP With FIP Union | 2 | 20 | |



Multi-Turn Supply Valves



Multi-Turn Supply Valves

| 29LF | | Lead Free Supply Valves - Oval Handle With Compression Outlet - Angle | |
|---------------|--|---|--------|
| • 125 PSI | | | |
| Model Number | SIZE | Carton Quantities | |
| | | INNER | MASTER |
| 29-1001LF | CP 3/8" FIP x 3/8" OD Compression | 10 | 200 |
| 29-1003LF | CP 1/2" FIP x 3/8" OD Compression | 10 | 200 |
| 29-1003PXLf | CP 1/2" PEX x 3/8" OD Compression | 10 | 200 |
| 29-1003BLF | Unplated 1/2" FIP x 3/8" OD Compression | 10 | 200 |
| 29-1009LF | CP 1/2" SWT x 3/8" OD Compression | 10 | 200 |
| 29-1009BLF | Unplated 1/2" SWT x 3/8" OD Compression | 10 | 200 |
| 29-1015LF | CP 1/2" C x 1/4" OD Compression | 10 | 200 |
| 29-1015BLF | Unplated 1/2" C x 1/4" OD Compression | 10 | 200 |
| 29-1019LF | CP 5/8" OD Compression x 3/8" OD Compression | 10 | 200 |
| 29-1019BLF | Unplated 5/8" OD Compression x 3/8" OD Compression | 10 | 200 |
| 29-1019CPVCLF | CP 5/8" OD CPVC x 3/8" OD | 10 | 200 |



| 29LF | | Lead Free Supply Valves - Oval Handle With Compression Outlet - Straight | |
|---------------|--|--|--------|
| • 125 PSI | | | |
| Model Number | SIZE | Carton Quantities | |
| | | INNER | MASTER |
| 29-1002LF | CP 3/8" FIP x 3/8" OD Compression | 10 | 200 |
| 29-1004LF | CP 1/2" FIP x 3/8" OD Compression | 10 | 200 |
| 29-1004PXLf | CP 1/2" PEX x 3/8" OD Compression | 10 | 200 |
| 29-1010LF | CP 1/2" SWT x 3/8" OD Compression | 10 | 200 |
| 29-1010BLF | Unplated 1/2" SWT x 3/8" OD Compression | 10 | 200 |
| 29-1014LF | CP 5/8" OD Compression x 3/8" OD Compression | 10 | 200 |
| 29-1014CPVCLF | CP 5/8" OD CPVC x 3/8" OD Straight Stop | 10 | 200 |
| 29-1575LF | CP 5/8" OD Compression x 5/8" OD Compression | 10 | 200 |



Multi-Turn Supply Valves



| Lead Free Supply Valves - Oval Handle With Compression Outlet | | | |
|---|--|-------------------|--------|
| • 125 PSI | | | |
| Model Number | SIZE | Carton Quantities | |
| | With 5" Extension and Bell Escutcheon | INNER | MASTER |
| 29-1040LF | CP 1/2" SWT x 3/8" OD Compression - Angle | 10 | 100 |
| 29-1041LF | CP 1/2" SWT x 3/8" OD Compression - Straight | 10 | 100 |

| Lead Free Supply Valves - Loose Key With Compression Outlet - Angle | | | |
|---|-----------------------------------|-------------------|--------|
| • 125 PSI | | | |
| Model Number | SIZE | Carton Quantities | |
| | | INNER | MASTER |
| 29-1001LKLF | CP 3/8" FIP x 3/8" OD Compression | 10 | 200 |
| 29-1003LKLF | CP 1/2" FIP x 3/8" OD Compression | 10 | 200 |
| 29-1009LKLF | CP 1/2" C x 3/8" OD Compression | 10 | 200 |

| Lead Free Supply Valves - Oval Handle With Dual Compression Outlet - Angle | | | |
|--|---|-------------------|--------|
| • 60 PSI Non-Shock Hot Water • 15 PSI Steam | | | |
| Model Number | SIZE | Carton Quantities | |
| | | INNER | MASTER |
| 29-2001LF | CP 5/8" OD x 3/8" OD x 3/8" OD | 10 | 200 |
| 29-2001BLF | Unplated 5/8" OD x 3/8" OD x 3/8" OD | 10 | 200 |
| 29-2001PXLF | CP 1/2" PEX x 3/8" OD Compression x 3/8" OD Compression | 10 | 200 |
| 29-2003LF | CP 1/2" FIP x 3/8" OD x 3/8" OD Compression | 10 | 200 |
| 29-2003BLF | Unplated 1/2" FIP x 3/8" OD x 3/8" OD Compression | 10 | 200 |



Quarter Turn Supply Valves



Quarter Turn Supply Valves

| 26LF | | Lead Free Supply Valves - With Compression Outlet - Angle | |
|---------------|--|---|--------|
| • 125 PSI | | | |
| Model Number | Carton Quantities | | |
| | SIZE | INNER | MASTER |
| 26-1001LF | CP 3/8" FIP x 3/8" OD Compression | 10 | 200 |
| 26-1003LF | CP 1/2" FIP x 3/8" OD Compression | 10 | 200 |
| 26-1003PXLF | CP 1/2" PEX x 3/8" OD Compression | 10 | 200 |
| 26-1009LF | CP 1/2" Sweat x 3/8" OD Compression | 10 | 200 |
| 26-1009BLF | Unplated 1/2" Sweat x 3/8" OD Compression | 10 | 200 |
| 26-1015PXLF | CP 1/2" PEX x 1/4" OD Compression | 10 | 200 |
| 26-1019LF | CP 5/8" OD Compression x 3/8" OD Compression | 10 | 200 |
| 26-1019BLF | Unplated 5/8" OD Compression x 3/8" OD Compression | 10 | 200 |
| 26-1019CPVCLF | CP 5/8" OD CPVC Compression x 3/8" OD Compression | 10 | 200 |
| 26-1023LF | CP 5/8" OD x 1/2" OD Compression | 10 | 200 |



| 26LF | | Lead Free Supply Valves - With Compression Outlet - Straight | |
|--------------|---|--|--------|
| • 125 PSI | | | |
| Model Number | Carton Quantities | | |
| | SIZE | INNER | MASTER |
| 26-1002LF | CP 3/8" FIP x 3/8" OD Compression | 10 | 200 |
| 26-1004LF | CP 1/2" FIP x 3/8" OD Compression | 10 | 200 |
| 26-1004PXLF | CP 1/2" PEX x 3/8" OD Compression | 10 | 200 |
| 26-1010LF | CP 1/2" Sweat x 3/8" OD Compression | 10 | 200 |
| 26-1010BLF | Unplated 1/2" Sweat x 3/8" OD Compression | 10 | 200 |
| 26-1012PXLF | CP 1/2" PEX x 1/2" PEX | 10 | 200 |
| 26-1014LF | CP 5/8" OD Compression x 3/8" OD Compression | 10 | 200 |
| 26-1014PVCLF | CP 5/8" OD CPVC Compression x 3/8" OD Compression | 10 | 200 |
| 26-1016PXLF | CP 1/2" PEX x 1/4" OD Compression | 10 | 200 |



| 26LF | | Lead Free Supply Valve - With Dual Outlet & Dual Handle - Angle | |
|--------------|--|---|--------|
| • 125 PSI | | | |
| Model Number | Carton Quantities | | |
| | SIZE | INNER | MASTER |
| 26-2022LF | 1/2 in. Nom Comp Inlet x 3/8 in. O.D. Comp x 3/8 in. O.D. Comp | 10 | 100 |

| 25LF | | Lead Free Supply Valve - With Compression Outlet - Straight - Retro-Fit | |
|--------------|---|---|--------|
| • 125 PSI | | | |
| Model Number | Carton Quantities | | |
| | SIZE | INNER | MASTER |
| 25-2000LF | CP 3/8" OD Captured Nut x 3/8" OD Compression | 10 | 200 |



Quarter Turn Supply Valves



26-1003PXCELF



26-1004PXCELF



26-1003PLF



26-1004PLF



26-1040LF



26-1041LF



26-2001LF



26-2021BLF

| Lead Free Supply Valves - With Compression Outlet - F1960 | | | 26LF | |
|---|---|-------|--------|--|
| • 125 PSI | | | | |
| Model Number | Carton Quantities | | | |
| | SIZE | INNER | MASTER | |
| 26-1003PXCELF | CP 1/2" CE PEX x 3/8" OD Compression - Angle | 10 | 200 | |
| 26-1015PXCELF | CP 1/2" CE PEX x 1/4" OD Compression - Angle | 10 | 200 | |
| 26-1004PXCELF | CP 1/2" CE PEX x 3/8" OD Compression - Straight | 10 | 200 | |
| 26-1016PXCELF | CP 1/2" CE PEX x 1/4" OD Compression - Straight | 10 | 200 | |



| Lead Free Supply Valves - With Compression Outlet - Angle | | | 26LF | |
|---|---|-------|--------|--|
| • 125 PSI | | | | |
| Model Number | Carton Quantities | | | |
| | SIZE | INNER | MASTER | |
| 26-2001LF | CP 5/8" OD Compression x 3/8" OD Compression | 10 | 200 | |
| 26-2001BLF | Unplated 5/8" OD Compression x 3/8" OD Compression | 10 | 200 | |
| 26-2009PLF | CP 1/2" Press x 3/8" OD Compression x 3/8" OD Compression | 10 | 100 | |
| 26-2009BLF | Unplated 1/2" C x 3/8" OD x 3/8" OD Compression | 10 | 200 | |
| 26-2021PLF | CP 1/2" Press x 3/8" OD Compression x 1/4" OD Compression | 10 | 200 | |
| 26-2021BLF | Unplated 5/8" OD x 3/8" OD x 1/4" OD Compression | 10 | 200 | |



| Lead Free Supply Valves - With Compression Outlet - Press | | | 26LF | |
|---|--|-------|--------|--|
| • 125 PSI | | | | |
| Model Number | Carton Quantities | | | |
| | SIZE | INNER | MASTER | |
| 26-1003PLF | CP 1/2" Press x 3/8" OD Compression - Angle | 24 | 96 | |
| 26-1015PLF | CP 1/2" Press x 1/4" OD Compression - Angle | 24 | 96 | |
| 26-1004PLF | CP 1/2" Press x 3/8" OD Compression - Straight | 24 | 96 | |
| 26-1016PLF | CP 1/2" Press x 1/4" OD Compression - Straight | 24 | 96 | |

| Lead Free Supply Valves - With Compression Outlet | | | 26LF | |
|---|--|-------|--------|--|
| • 125 PSI | | | | |
| Model Number | Carton Quantities | | | |
| | SIZE <i>With 5" Extension and Bell Escutcheon</i> | INNER | MASTER | |
| 26-1041LF | CP 1/2" Sweat x 3/8" OD Compression - Angle | 10 | 200 | |
| 26-1040LF | CP 1/2" Sweat x 3/8" OD Compression - Straight | 10 | 200 | |



| Lead Free Supply Valves - With Compression Outlet - Straight | | | 26LF | |
|--|---|-------|--------|--|
| • 125 PSI | | | | |
| Model Number | Carton Quantities | | | |
| | SIZE | INNER | MASTER | |
| 26-2000LF | CP Retro-Fit 3/8" OD Captured Nut x 3/8" OD Compression | 10 | 200 | |



Miscellaneous

Float Valve, Float Rod, Evaporator Cooler Float Valve, Meter Valve



FV



FR12

EFV-01



434-0404LF



434-0404DLF

MISCELLANEOUS

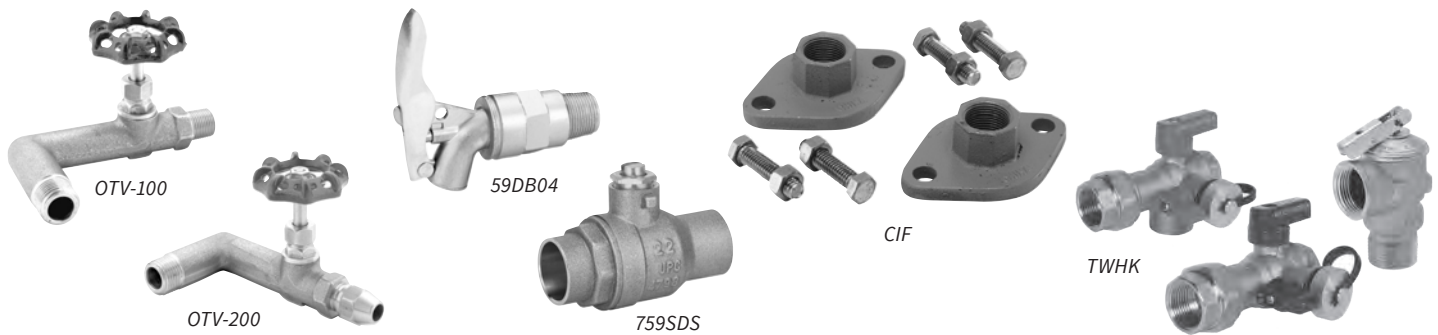
| FV Float Valve - Bronze | | | | |
|--|----------|-------------------|--------|----|
| Model Number | | Carton Quantities | | |
| STRAIGHT THREAD MALE INLET - PLAIN OUTLET | ROD SIZE | INNER | MASTER | |
| FV-303P | 1/2" | 1/4" x 20" | 12 | 72 |
| FV-404P | 3/4" | 1/4" x 20" | 6 | 36 |
| STRAIGHT THREAD MALE INLET - STRAIGHT THREAD MALE OUTLET | | | | |
| FV-303 | 1/2" | 1/4" x 20" | 1 | 72 |
| FV-404 | 3/4" | 1/4" x 20" | 6 | 48 |
| FEMALE INLET - PLAIN OUTLET | | | | |
| FV-505 | 1" | 5/16" x 18" | 4 | 36 |
| FV-606 | 1-1/4" | 3/8" x 16" | 2 | 20 |
| FV-707 | 1-1/2" | 3/8" x 16" | 2 | 16 |
| FV-808 | 2" | 3/8" x 16" | 2 | 12 |

| EFV Evaporator Cooler Float Valve | | | | |
|-----------------------------------|---|-------------------|--------|--|
| Model Number | | Carton Quantities | | |
| | | INNER | MASTER | |
| EFV-01 | 1/4" Compression Inlet x 1/4" FIP Outlet | 20 | 80 | |

| FR Float Rod - Brass | | | | |
|----------------------|--------|-------------------|-------|--------|
| Model Number | | Carton Quantities | | |
| | LENGTH | THREAD PATTERN | INNER | MASTER |
| FR12-1 | 12" | 1/4" - 20 | 5 | 500 |
| FR12-15 | 12" | 5/16" - 18 | 5 | 250 |
| FR12-2 | 12" | 3/8" - 16 | 1 | 2000 |

| 434LF Lead Free Meter Valve - Brass | | | | |
|--------------------------------------|--------------------|-------------------|--------|--|
| Model Number | | Carton Quantities | | |
| ANGLE VALVE - FLARE x IPS | | INNER | MASTER | |
| 434-0403LF | 3/4" FL x 1/2" IPS | 12 | 72 | |
| 434-0404LF | 3/4" FL x 3/4" IPS | 6 | 36 | |
| 434-0504LF | 1" FL x 3/4" IPS | 2 | 20 | |
| ANGLE VALVE WITH DRAIN - FLARE x IPS | | | | |
| 434-0404DLF | 3/4" FL x 3/4" IPS | 2 | 16 | |
| 434-0505DLF | 1" FL x 1" IPS | 2 | 12 | |





| Oil Tank Valve - Brass - Hard Seat | | | OTV | |
|------------------------------------|---------------------|--------|-----|--|
| • 125 PSI | | | | |
| Model Number | Carton Quantities | | | |
| SIZE | INNER | MASTER | | |
| OTV-100 | 1/2" MIP x 3/8" MIP | 6 | 72 | |
| OTV-200 | 1/2" MIP x 3/8" FL | 1 | 72 | |

| Oil Barrel Faucet - Locking Lever | | | 59 | |
|---|--------------------------------|--------|-----|--|
| • Lead Free Version Available • 600 WOG | | | | |
| Model Number | Carton Quantities | | | |
| SIZE | INNER | MASTER | | |
| 59DB04 | 3/4" MIP x Plain Spout - Zamac | 10 | 100 | |

| Ball Style Balancing Valve | | | 759SDS | |
|---|----------------------------------|--------|--------|--|
| • Lead Free Version Available • 600 WOG | | | | |
| Model Number | Carton Quantities | | | |
| SIZE | INNER | MASTER | | |
| 759C04SDS | 3/4" C x C With Screwdriver Stop | 10 | 60 | |

| Circulator Flange Kits - Cast Iron - With Bolts & Nuts | | | CIF | |
|--|-------------------|--------|-----|--|
| • Complete with 2 Flanges, 4 Bolts, 4 Nuts | | | | |
| Model Number | Carton Quantities | | | |
| SIZE | INNER | MASTER | | |
| CIF04 | 3/4" | 1 | 30 | |
| CIF05 | 1" | 1 | 30 | |
| CIF06 | 1-1/4" | 1 | 30 | |

| Tankless Water Heater Isolation Valve Kit | | | TWHK | |
|---|---|--------|------|--|
| • 600# Rating (Non Shock) • Full Port, 1/4 Turn Design | | | | |
| • Includes Pressure Relief Valve, One Cold Coded Valve, and One Hot Coded Valve | | | | |
| Model Number | Carton Quantities | | | |
| SIZE | INNER | MASTER | | |
| TWHK04T | 3/4" IPS Ball Valve With Union Connection | 1 | 16 | |
| TWHK04P | 3/4" IPS x Press | 1 | 16 | |
| TWHK04PX | 3/4" IPS x PEX F1807 | 1 | 16 | |
| TWHK04PXCE | 3/4" IPS x Cold Expansion F1960 PEX | 1 | 16 | |



MISCELLANEOUS



One & Two Piece Threaded Ball Valves



One & Two Piece Threaded Ball Valves

| 15SSTH One Piece Reduced Port 316 Stainless Steel Ball Valves - NPT | | | | |
|--|--------|--|--------|--|
| <ul style="list-style-type: none"> • W.P. 1000 WOG • Blow Out Proof Stem | | <ul style="list-style-type: none"> • W.T. 4 °F - 392 °F • Locking Handle | | |
| Model Number | SIZE | Carton Quantities | | |
| | | INNER | MASTER | |
| 15SSTH01 | 1/4" | 20 | 160 | |
| 15SSTH02 | 3/8" | 20 | 160 | |
| 15SSTH03 | 1/2" | 20 | 160 | |
| 15SSTH04 | 3/4" | 10 | 80 | |
| 15SSTH05 | 1" | 7 | 56 | |
| 15SSTH06 | 1-1/4" | 4 | 32 | |
| 15SSTH07 | 1-1/2" | 2 | 16 | |
| 15SSTH08 | 2" | 2 | 16 | |

| 20SSTH Two Piece Full Port 316 Stainless Steel Ball Valves - NPT | | | | |
|--|--------|--|--------|--|
| <ul style="list-style-type: none"> • W.P. 1000 WOG • Blow Out Proof Stem | | <ul style="list-style-type: none"> • W.T. 4 °F - 392 °F • Locking Handle | | |
| Model Number | SIZE | Carton Quantities | | |
| | | INNER | MASTER | |
| 20SSTH01M | 1/4" | 20 | 80 | |
| 20SSTH02M | 3/8" | 20 | 80 | |
| 20SSTH03M | 1/2" | 18 | 72 | |
| 20SSTH04M | 3/4" | 12 | 48 | |
| 20SSTH05M | 1" | 10 | 40 | |
| 20SSTH06M | 1-1/4" | 6 | 24 | |
| 20SSTH07M | 1-1/2" | 4 | 16 | |
| 20SSTH08M | 2" | 3 | 12 | |
| 20SSTH09M | 2-1/2" | 1 | 4 | |
| 20SSTH10M | 3" | 1 | 1 | |

| 25SSTH Two Piece Reduced Port 316 Stainless Steel Ball Valves - NPT | | | | |
|---|--------|--|--------|--|
| <ul style="list-style-type: none"> • W.P. 1/4" - 1" 2000 WOG • W.P. 1-1/4" - 2" 1500 WOG • Blow Out Proof Stem | | <ul style="list-style-type: none"> • W.T. 4 °F - 392 °F • Locking Handle | | |
| Model Number | SIZE | Carton Quantities | | |
| | | INNER | MASTER | |
| 25SSTH01M | 1/4" | 20 | 80 | |
| 25SSTH02M | 3/8" | 20 | 80 | |
| 25SSTH03M | 1/2" | 20 | 80 | |
| 25SSTH04M | 3/4" | 12 | 48 | |
| 25SSTH05M | 1" | 10 | 40 | |
| 25SSTH06M | 1-1/4" | 5 | 20 | |
| 25SSTH07M | 1-1/2" | 4 | 16 | |
| 25SSTH08M | 2" | 2 | 8 | |

| 25CSTH Two Piece Full Port 316 Stainless Steel Ball Valves - NPT | | | | |
|---|--------|--|--------|--|
| <ul style="list-style-type: none"> • W.P. 1/4" - 1" 2000 WOG • W.P. 1-1/4" - 2" 2000 WOG • Blow Out Proof Stem | | <ul style="list-style-type: none"> • W.T. 4 °F - 392 °F • Locking Handle | | |
| Model Number | SIZE | Carton Quantities | | |
| | | INNER | MASTER | |
| 25CSTH01M | 1/4" | 20 | 80 | |
| 25CSTH02M | 3/8" | 20 | 80 | |
| 25CSTH03M | 1/2" | 20 | 80 | |
| 25CSTH04M | 3/4" | 12 | 48 | |
| 25CSTH05M | 1" | 10 | 40 | |
| 25CSTH06M | 1-1/4" | 5 | 20 | |
| 25CSTH07M | 1-1/2" | 4 | 16 | |
| 25CSTH08M | 2" | 2 | 8 | |

| 26SSTHM Two Piece Full Port 316 Stainless Steel Ball Valves - NPT | | | | |
|--|--------|---|--------|--|
| <ul style="list-style-type: none"> • W.P. 2000 WOG • Blow Out Proof Stem | | <ul style="list-style-type: none"> • Vinyl Grip Handle | | |
| Model Number | SIZE | Carton Quantities | | |
| | | INNER | MASTER | |
| 26SSTH01M | 1/4" | 25 | 125 | |
| 26SSTH02M | 3/8" | 25 | 125 | |
| 26SSTH03M | 1/2" | 25 | 125 | |
| 26SSTH04M | 3/4" | 15 | 60 | |
| 26SSTH05M | 1" | 8 | 32 | |
| 26SSTH06M | 1-1/4" | 5 | 20 | |
| 26SSTH07M | 1-1/2" | 3 | 15 | |
| 26SSTH08M | 2" | 2 | 8 | |

| 26CSTHM Two Piece Full Port 316 Stainless Steel Ball Valves - NPT | | | | |
|--|--------|---|--------|--|
| <ul style="list-style-type: none"> • W.P. 2000 WOG • Blow Out Proof Stem | | <ul style="list-style-type: none"> • Vinyl Grip Handle | | |
| Model Number | SIZE | Carton Quantities | | |
| | | INNER | MASTER | |
| 26CSTH01M | 1/4" | 25 | 125 | |
| 26CSTH02M | 3/8" | 25 | 125 | |
| 26CSTH03M | 1/2" | 25 | 125 | |
| 26CSTH04M | 3/4" | 15 | 60 | |
| 26CSTH05M | 1" | 10 | 32 | |
| 26CSTH06M | 1-1/4" | 8 | 20 | |
| 26CSTH07M | 1-1/2" | 3 | 15 | |
| 26CSTH08M | 2" | 2 | 8 | |



Two & Three Piece Ball Valves



759LHLF



30CSTH



30CSSW

Lead Free Ball Valve - Full Port - Forged Brass - With Locking Handle

759LHLF

- CSA Approved - 1/2" - 2"
- 600 WOG - 150 SWP

| Model Number | | Carton Quantities | |
|--------------|--------|-------------------|--------|
| IPS | SIZE | INNER | MASTER |
| 759T01LHLF | 1/4" | 15 | 120 |
| 759T02LHLF | 3/8" | 15 | 120 |
| 759T03LHLF | 1/2" | 15 | 120 |
| 759T04LHLF | 3/4" | 10 | 60 |
| 759T05LHLF | 1" | 8 | 48 |
| 759T06LHLF | 1-1/4" | 4 | 24 |
| 759T07LHLF | 1-1/2" | 2 | 24 |
| 759T08LHLF | 2" | 2 | 12 |
| 759T09LHLF | 2-1/2" | 2 | 6 |
| 759T10LHLF | 3" | 2 | 4 |
| 759T11LHLF | 4" | 1 | 2 |



Three Piece Full Port Carbon Brass Ball Valves - NPT

30CSTH

- W.P. 1000 WOG
- Blow Out Proof Stem
- W.T. 4 ° F - 392 ° F
- Locking Handle

| Model Number | | Carton Quantities | |
|--------------|--------|-------------------|--------|
| | SIZE | INNER | MASTER |
| 30CSTH01 | 1/4" | 15 | 40 |
| 30CSTH02 | 3/8" | 15 | 40 |
| 30CSTH03 | 1/2" | 15 | 32 |
| 30CSTH04 | 3/4" | 10 | 60 |
| 30CSTH05 | 1" | 8 | 48 |
| 30CSTH06 | 1-1/4" | 4 | 24 |
| 30CSTH07 | 1-1/2" | 2 | 24 |
| 30CSTH08 | 2" | 2 | 12 |
| 30CSTH09 | 2-1/2" | 2 | 6 |
| 30CSTH10 | 3" | 2 | 4 |
| 30CSTH11 | 4" | 1 | 2 |

Three Piece Full Port Carbon Steel Ball Valves - SW

30CSSW

- W.P. 1000 WOG
- Blow Out Proof Stem
- W.T. 4 ° F - 392 ° F
- Locking Handle

| Model Number | | Carton Quantities | |
|--------------|--------|-------------------|--------|
| | SIZE | INNER | MASTER |
| 30CSSW01 | 1/4" | 10 | 40 |
| 30CSSW02 | 3/8" | 10 | 40 |
| 30CSSW03 | 1/2" | 8 | 32 |
| 30CSSW04 | 3/4" | 6 | 24 |
| 30CSSW05 | 1" | 4 | 16 |
| 30CSSW06 | 1-1/4" | 3 | 12 |
| 30CSSW07 | 1-1/2" | 2 | 8 |
| 30CSSW08 | 2" | 1 | 4 |
| 30CSSW09 | 2-1/2" | 1 | 1 |
| 30CSSW10 | 3" | 1 | 1 |
| 30CSSW11 | 4" | 1 | 1 |



Three Piece & Flanged Ball Valves



30SSTH



30SSSW



20CSFLD



20SSFLD

30SSTH Three Piece Full Port 316 Stainless Steel Ball Valves - NPT

- W.P. 1000 WOG
- Blow Out Proof Stem
- W.T. 4 °F - 392 °F
- Locking Handle

| Model Number | SIZE | Carton Quantities | |
|--------------|--------|-------------------|--------|
| | | INNER | MASTER |
| 30SSTH01 | 1/4" | 10 | 40 |
| 30SSTH02 | 3/8" | 10 | 40 |
| 30SSTH03 | 1/2" | 8 | 32 |
| 30SSTH04 | 3/4" | 6 | 24 |
| 30SSTH05 | 1" | 4 | 16 |
| 30SSTH06 | 1-1/4" | 3 | 12 |
| 30SSTH07 | 1-1/2" | 2 | 8 |
| 30SSTH08 | 2" | 2 | 4 |
| 30SSTH09 | 2-1/2" | 1 | 1 |
| 30SSTH10 | 3" | 1 | 1 |
| 30SSTH11 | 4" | 1 | 1 |

30SSSW Three Piece Full Port 316 Stainless Steel Ball Valves - SW

- W.P. 1000 WOG
- Blow Out Proof Stem
- W.T. 4 °F - 392 °F
- Locking Handle

| Model Number | SIZE | Carton Quantities | |
|--------------|--------|-------------------|--------|
| | | INNER | MASTER |
| 30SSSW01 | 1/4" | 20 | 80 |
| 30SSSW02 | 3/8" | 20 | 80 |
| 30SSSW03 | 1/2" | 18 | 72 |
| 30SSSW04 | 3/4" | 12 | 48 |
| 30SSSW05 | 1" | 10 | 40 |
| 30SSSW06 | 1-1/4" | 6 | 24 |
| 30SSSW07 | 1-1/2" | 4 | 16 |
| 30SSSW08 | 2" | 3 | 12 |
| 30SSSW09 | 2-1/2" | 1 | 4 |
| 30SSSW10 | 3" | 1 | 1 |
| 30SSSW11 | 4" | 1 | 1 |

20CSFLD Two Piece Full Port Flanged Carbon Steel Ball Valves

- W.P. ANSI Class 150
- W.T. 4 °F - 392 °F
- Blow Out Proof Stem
- ASME B16.34
- Locking Handle

| Model Number | SIZE | Carton Quantities | |
|--------------|--------|-------------------|--------|
| | | INNER | MASTER |
| 20CSFL05D | 1" | 6 | 12 |
| 20CSFL07D | 1-1/2" | 4 | 8 |
| 20CSFL08D | 2" | 2 | 4 |
| 20CSFL09D | 2-1/2" | 1 | 2 |
| 20CSFL10D | 3" | 1 | 2 |
| 20CSFL11D | 4" | 1 | 2 |
| 20CSFL13D | 6" | 1 | 1 |

20SSFLD Two Piece Full Port Flanged 316 Stainless Steel Ball Valves

- W.P. ANSI Class 150
- W.T. 4 °F - 392 °F
- Blow Out Proof Stem
- ASME B16.34
- Locking Handle

| Model Number | SIZE | Carton Quantities | |
|--------------|--------|-------------------|--------|
| | | INNER | MASTER |
| 20SSFL05D | 1" | 6 | 12 |
| 20SSFL07D | 1-1/2" | 4 | 8 |
| 20SSFL08D | 2" | 2 | 4 |
| 20SSFL09D | 2-1/2" | 1 | 2 |
| 20SSFL10D | 3" | 1 | 2 |
| 20SSFL11D | 4" | 1 | 2 |
| 20SSFL13D | 6" | 1 | 1 |



Forged Gate Valves



Forged Carbon Steel Gate Valves - Reduced Port - Class 800 - NPT **500FCT**

- ASTM A105
- Maximum Pressure 1975 PSI
- Bolted Bonnet
- API 602
- Maximum Temperature 850 °F
- NACE MR-0175
- Trim 8

| Model Number | SIZE | Carton Quantities | |
|--------------|--------|-------------------|--------|
| | | INNER | MASTER |
| 500FCT01-8 | 1/4" | 1 | 10 |
| 500FCT02-8 | 3/8" | 1 | 10 |
| 500FCT03-8 | 1/2" | 1 | 10 |
| 500FCT04-8 | 3/4" | 1 | 9 |
| 500FCT05-8 | 1" | 1 | 5 |
| 500FCT06-8 | 1-1/4" | 1 | 4 |
| 500FCT07-8 | 1-1/2" | 1 | 3 |
| 500FCT08-8 | 2" | 1 | 2 |

Forged Carbon Steel Gate Valves - Reduced Port - Class 800 - SW **500FCW**

- ASTM A105
- Maximum Pressure 1975 PSI
- Bolted Bonnet
- API 602
- Maximum Temperature 850 °F
- NACE MR-0175
- Trim 8

| Model Number | SIZE | Carton Quantities | |
|--------------|--------|-------------------|--------|
| | | INNER | MASTER |
| 500FCW01-8 | 1/4" | 1 | 10 |
| 500FCW02-8 | 3/8" | 1 | 10 |
| 500FCW03-8 | 1/2" | 1 | 10 |
| 500FCW04-8 | 3/4" | 1 | 9 |
| 500FCW05-8 | 1" | 1 | 5 |
| 500FCW06-8 | 1-1/4" | 1 | 4 |
| 500FCW07-8 | 1-1/2" | 1 | 3 |
| 500FCW08-8 | 2" | 1 | 2 |

Forged Stainless Steel Gate Valves - Reduced Port - Class 800 - NPT **500FSST**

- ASTM A182/316L
- Maximum Pressure 1975 PSI
- Bolted Bonnet
- API 602
- Maximum Temperature 850 °F
- NACE MR-0175

| Model Number | SIZE | Carton Quantities | |
|--------------|--------|-------------------|--------|
| | | INNER | MASTER |
| 500FSST03 | 1/2" | 1 | 10 |
| 500FSST04 | 3/4" | 1 | 9 |
| 500FSST05 | 1" | 1 | 5 |
| 500FSST06 | 1-1/4" | 1 | 4 |
| 500FSST07 | 1-1/2" | 1 | 3 |
| 500FSST08 | 2" | 1 | 2 |

Forged Stainless Steel Gate Valves - Reduced Port - Class 800 - SW **500FSSW**

- ASTM A182/316L
- Maximum Pressure 1975 PSI
- Bolted Bonnet
- API 602
- Maximum Temperature 850 °F
- NACE MR-0175

| Model Number | SIZE | Carton Quantities | |
|--------------|--------|-------------------|--------|
| | | INNER | MASTER |
| 500FSSW03 | 1/2" | 1 | 10 |
| 500FSSW04 | 3/4" | 1 | 9 |
| 500FSSW05 | 1" | 1 | 5 |
| 500FSSW06 | 1-1/4" | 1 | 4 |
| 500FSSW07 | 1-1/2" | 1 | 3 |
| 500FSSW08 | 2" | 1 | 2 |



Forged Globe Valves



505FCT



505FCW



505FSST



505FSSW

505FCT Forged Carbon Steel Globe Valves - Reduced Port - Class 800 - NPT

- ASTM A105
- Maximum Pressure 1975 PSI
- Bolted Bonnet
- API 602
- Maximum Temperature 850 ° F
- NACE MR-0175
- Trim 8

| Model Number | SIZE | Carton Quantities | |
|--------------|--------|-------------------|--------|
| | | INNER | MASTER |
| 505FCT01-8 | 1/4" | 1 | 10 |
| 505FCT02-8 | 3/8" | 1 | 10 |
| 505FCT03-8 | 1/2" | 1 | 10 |
| 505FCT04-8 | 3/4" | 1 | 9 |
| 505FCT05-8 | 1" | 1 | 5 |
| 505FCT06-8 | 1-1/4" | 1 | 4 |
| 505FCT07-8 | 1-1/2" | 1 | 3 |
| 505FCT08-8 | 2" | 1 | 2 |

505FCW Forged Carbon Steel Globe Valves - Reduced Port - Class 800 - SW

- ASTM A105
- Maximum Pressure 1975 PSI
- Bolted Bonnet
- API 602
- Maximum Temperature 850 ° F
- NACE MR-0175
- Trim 8

| Model Number | SIZE | Carton Quantities | |
|--------------|--------|-------------------|--------|
| | | INNER | MASTER |
| 505FCW01-8 | 1/4" | 1 | 10 |
| 505FCW02-8 | 3/8" | 1 | 10 |
| 505FCW03-8 | 1/2" | 1 | 10 |
| 505FCW04-8 | 3/4" | 1 | 9 |
| 505FCW05-8 | 1" | 1 | 5 |
| 505FCW06-8 | 1-1/4" | 1 | 4 |
| 505FCW07-8 | 1-1/2" | 1 | 3 |
| 505FCW08-8 | 2" | 1 | 2 |

505FSST Forged Stainless Steel Globe Valves - Reduced Port - Class 800 - NPT

- ASTM A182/316L
- Maximum Pressure 1975 PSI
- Bolted Bonnet
- API 602
- Maximum Temperature 850 ° F
- NACE MR-0175

| Model Number | SIZE | Carton Quantities | |
|--------------|--------|-------------------|--------|
| | | INNER | MASTER |
| 505FSST03 | 1/2" | 1 | 10 |
| 505FSST04 | 3/4" | 1 | 9 |
| 505FSST05 | 1" | 1 | 5 |
| 505FSST06 | 1-1/4" | 1 | 4 |
| 505FSST07 | 1-1/2" | 1 | 3 |
| 505FSST08 | 2" | 1 | 2 |

505FSSW Forged Stainless Steel Globe Valves - Reduced Port - Class 800 - SW

- ASTM A182/316L
- Maximum Pressure 1975 PSI
- Bolted Bonnet
- API 602
- Maximum Temperature 850 ° F
- NACE MR-0175

| Model Number | SIZE | Carton Quantities | |
|--------------|--------|-------------------|--------|
| | | INNER | MASTER |
| 505FSSW03 | 1/2" | 1 | 10 |
| 505FSSW04 | 3/4" | 1 | 9 |
| 505FSSW05 | 1" | 1 | 5 |
| 505FSSW06 | 1-1/4" | 1 | 4 |
| 505FSSW07 | 1-1/2" | 1 | 3 |
| 505FSSW08 | 2" | 1 | 2 |



Forged Check Valves



520FCT



520FCW



522FCT



522FCW



522FSST



522FSSW

Forged Carbon Steel Swing Check Valves - Reduced Port - Class 800 - NPT

520FCT

- ASTM A105
- Maximum Pressure 1975 PSI
- Bolted Bonnet
- API 602
- Maximum Temperature 850 °F
- NACE MR-0175
- Trim 8

| Model Number | SIZE | Carton Quantities | |
|--------------|--------|-------------------|--------|
| | | INNER | MASTER |
| 520FCT03-8 | 1/2" | 1 | 10 |
| 520FCT04-8 | 3/4" | 1 | 9 |
| 520FCT05-8 | 1" | 1 | 5 |
| 520FCT06-8 | 1-1/4" | 1 | 4 |
| 520FCT07-8 | 1-1/2" | 1 | 3 |
| 520FCT08-8 | 2" | 1 | 2 |

Forged Carbon Steel Swing Check Valves - Reduced Port - Class 800 - SW

520FCW

- ASTM A105
- Maximum Pressure 1975 PSI
- Bolted Bonnet
- API 602
- Maximum Temperature 850 °F
- NACE MR-0175
- Trim 8

| Model Number | SIZE | Carton Quantities | |
|--------------|--------|-------------------|--------|
| | | INNER | MASTER |
| 520FCW03-8 | 1/2" | 1 | 10 |
| 520FCW04-8 | 3/4" | 1 | 9 |
| 520FCW05-8 | 1" | 1 | 5 |
| 520FCW06-8 | 1-1/4" | 1 | 4 |
| 520FCW07-8 | 1-1/2" | 1 | 3 |
| 520FCW08-8 | 2" | 1 | 2 |

Forged Carbon Steel Check Valves - Reduced Port - Class 800 - NPT

522FCT

- ASTM A105
- Maximum Pressure 1975 PSI
- Bolted Bonnet
- API 602
- Maximum Temperature 850 °F
- NACE MR-0175
- Trim 8

| Model Number | SIZE | Carton Quantities | |
|--------------|--------|-------------------|--------|
| | | INNER | MASTER |
| 522FCT01-8 | 1/4" | 1 | 10 |
| 522FCT02-8 | 3/8" | 1 | 10 |
| 522FCT03-8 | 1/2" | 1 | 10 |
| 522FCT04-8 | 3/4" | 1 | 9 |
| 522FCT05-8 | 1" | 1 | 5 |
| 522FCT06-8 | 1-1/4" | 1 | 4 |
| 522FCT07-8 | 1-1/2" | 1 | 3 |
| 522FCT08-8 | 2" | 1 | 2 |

Forged Carbon Steel Check Valves - Reduced Port - Class 800 - SW

522FCW

- ASTM A105
- Maximum Pressure 1975 PSI
- Bolted Bonnet
- API 602
- Maximum Temperature 850 °F
- NACE MR-0175
- Trim 8

| Model Number | SIZE | Carton Quantities | |
|--------------|--------|-------------------|--------|
| | | INNER | MASTER |
| 522FCW01-8 | 1/4" | 1 | 10 |
| 522FCW02-8 | 3/8" | 1 | 10 |
| 522FCW03-8 | 1/2" | 1 | 10 |
| 522FCW04-8 | 3/4" | 1 | 9 |
| 522FCW05-8 | 1" | 1 | 5 |
| 522FCW06-8 | 1-1/4" | 1 | 4 |
| 522FCW07-8 | 1-1/2" | 1 | 3 |
| 522FCW08-8 | 2" | 1 | 2 |

Forged Stainless Steel Check Valves - Reduced Port - Class 800 - NPT

522FSST

- ASTM A182/316L
- Maximum Pressure 1975 PSI
- Bolted Bonnet
- API 602
- Maximum Temperature 850 °F
- NACE MR-0175

| Model Number | SIZE | Carton Quantities | |
|--------------|--------|-------------------|--------|
| | | INNER | MASTER |
| 522FSST03 | 1/2" | 1 | 10 |
| 522FSST04 | 3/4" | 1 | 9 |
| 522FSST05 | 1" | 1 | 5 |
| 522FSST06 | 1-1/4" | 1 | 4 |
| 522FSST07 | 1-1/2" | 1 | 3 |
| 522FSST08 | 2" | 1 | 2 |

Forged Stainless Steel Check Valves - Reduced Port - Class 800 - SW

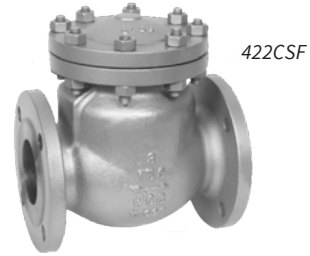
522FSSW

- ASTM A182/316L
- Maximum Pressure 1975 PSI
- Bolted Bonnet
- API 602
- Maximum Temperature 850 °F
- NACE MR-0175

| Model Number | SIZE | Carton Quantities | |
|--------------|--------|-------------------|--------|
| | | INNER | MASTER |
| 522FSSW03 | 1/2" | 1 | 10 |
| 522FSSW04 | 3/4" | 1 | 9 |
| 522FSSW05 | 1" | 1 | 5 |
| 522FSSW06 | 1-1/4" | 1 | 4 |
| 522FSSW07 | 1-1/2" | 1 | 3 |
| 522FSSW08 | 2" | 1 | 2 |



Cast Steel Gate, Globe & Check Valves



400CSF Flanged Cast Steel Gate Valve - Full Port - 150LB.

- Maximum Pressure 285 PSI
- ASTM A216 WCB
- Outside Screw & Yoke
- API 600
- Maximum Temperature 1000° F
- Bolted Bonnet
- Trim 8

| Model Number | Carton Quantities | | |
|--------------|-------------------|-------|--------|
| | SIZE | INNER | MASTER |
| 400CSF08-8 | 2" | 1 | 50 |
| 400CSF09-8 | 2-1/2" | 1 | 40 |
| 400CSF10-8 | 3" | 1 | 32 |
| 400CSF11-8 | 4" | 1 | 20 |
| 400CSF13-8 | 6" | 1 | 16 |
| 400CSF14-8 | 8" | 1 | 6 |
| 400CSF15-8 | 10" | 1 | 4 |
| 400CSF16-8 | 12" | 1 | 4 |

405CSF Flanged Cast Steel Globe Valve - Full Port - 150LB.

- Maximum Pressure 285 PSI
- ASTM A216 WCB
- Outside Screw & Yoke
- Maximum Temperature 1000° F
- Bolted Bonnet
- Trim 8

| Model Number | SIZE | Carton Quantities | |
|--------------|--------|-------------------|--------|
| | | INNER | MASTER |
| 405CSF08-8 | 2" | 1 | 50 |
| 405CSF09-8 | 2-1/2" | 1 | 40 |
| 405CSF10-8 | 3" | 1 | 32 |
| 405CSF11-8 | 4" | 1 | 24 |
| 405CSF13-8 | 6" | 1 | 9 |
| 405CSF14-8 | 8" | 1 | 4 |
| 405CSF15-8 | 10" | 1 | 4 |
| 405CSF16-8 | 12" | 1 | 2 |

422CSF Flanged Cast Steel Swing Check Valve - Full Port - 150LB.

- Maximum Pressure 285 PSI
- ASTM A216 WCB
- Maximum Temperature 1000° F
- Bolted Bonnet
- Trim 8

| Model Number | Carton Quantities | | |
|--------------|-------------------|-------|--------|
| | SIZE | INNER | MASTER |
| 422CSF08-8 | 2" | 1 | 60 |
| 422CSF09-8 | 2-1/2" | 1 | 60 |
| 422CSF10-8 | 3" | 1 | 45 |
| 422CSF11-8 | 4" | 1 | 24 |
| 422CSF13-8 | 6" | 1 | 12 |
| 422CSF14-8 | 8" | 1 | 6 |
| 422CSF15-8 | 10" | 1 | 3 |
| 422CSF16-8 | 12" | 1 | 2 |



316 Stainless Steel - Valves & Y Strainers



| 316 Stainless Steel Gate Valve - 200 PSI - NRS - NPT | | 40SSTH | |
|--|--------|-------------------------------|--------|
| • W.P. 200 WOG | | • Maximum Temperature 392 ° F | |
| Model Number | SIZE | Carton Quantities | |
| | | INNER | MASTER |
| 40SSTH03 | 1/2" | 30 | 60 |
| 40SSTH04 | 3/4" | 25 | 50 |
| 40SSTH05 | 1" | 20 | 40 |
| 40SSTH06 | 1-1/4" | 15 | 30 |
| 40SSTH07 | 1-1/2" | 10 | 20 |
| 40SSTH08 | 2" | 5 | 10 |

| 316 Stainless Steel Globe Valve - 200 PSI - NRS - NPT | | 50SSTH | |
|---|--------|-------------------------------|--------|
| • W.P. 200 WOG | | • Maximum Temperature 392 ° F | |
| Model Number | SIZE | Carton Quantities | |
| | | INNER | MASTER |
| 50SSTH03 | 1/2" | 40 | 80 |
| 50SSTH04 | 3/4" | 30 | 60 |
| 50SSTH05 | 1" | 20 | 40 |
| 50SSTH06 | 1-1/4" | 15 | 30 |
| 50SSTH07 | 1-1/2" | 10 | 20 |
| 50SSTH08 | 2" | 6 | 12 |

| 316 Stainless Steel Swing Check Valve - 200 PSI - NPT | | 60SSTH | |
|---|--------|-------------------------------|--------|
| • W.P. 200 WOG | | • Maximum Temperature 392 ° F | |
| Model Number | SIZE | Carton Quantities | |
| | | INNER | MASTER |
| 60SSTH03 | 1/2" | 25 | 50 |
| 60SSTH04 | 3/4" | 16 | 32 |
| 60SSTH05 | 1" | 12 | 24 |
| 60SSTH06 | 1-1/4" | 9 | 18 |
| 60SSTH07 | 1-1/2" | 10 | 20 |
| 60SSTH08 | 2" | 8 | 16 |

| 316 Stainless Steel Y Strainer - NPT | | 70SSTH | |
|--------------------------------------|--------|-------------------------------|--------|
| • W.P. 800 WOG | | • Maximum Temperature 392 ° F | |
| • 40 Mesh Screen | | | |
| Model Number | SIZE | Carton Quantities | |
| | | INNER | MASTER |
| 70SSTH03 | 1/2" | 30 | 60 |
| 70SSTH04 | 3/4" | 25 | 50 |
| 70SSTH05 | 1" | 16 | 32 |
| 70SSTH06 | 1-1/4" | 10 | 20 |
| 70SSTH07 | 1-1/2" | 12 | 24 |
| 70SSTH08 | 2" | 5 | 10 |

316 Stainless Steel - Valves & Y Strainers



Ductile Iron Gate Valves | Resilient Wedge - Non-Rising Stem



225W

Flanged Ductile Iron Gate Valve - Resilient Wedge - NRS

- AWWA C515-15
- 300 PSI 2" - 12"
- 250 PSI 14" - 18"
- 200 PSI 20" - 24"
- UL Listed / FM Approved
- Temp Range of 140°F - 180°F
- AWWA C550 Epoxy
- NSF-61 / NSF-372 Verified by UL Water Quality
- Supplied With Handwheel & Op. Nut

| Model Number | SIZE | WEIGHT |
|--|--------|--------|
| 225W08 | 2" | 32 |
| 225W09 | 2-1/2" | 41 |
| 225W10 | 3" | 53 |
| 225W11 | 4" | 67 |
| 225W13 | 6" | 105 |
| 225W14 | 8" | 172 |
| 225W15 | 10" | 286 |
| 225W16 | 12" | 409 |
| 225W17 | 14" | 480 |
| 225W18 | 16" | 685 |
| 225W19 | 18" | 890 |
| 225W20 | 20" | 1044 |
| 225W24 | 24" | 1503 |
| <i>Post Indicator Gate Valve With Plate - Supplied With Op. Nut Only</i> | | |
| 225WP11 | 4" | 71 |
| 225WP13 | 6" | 116 |
| 225WP14 | 8" | 177 |
| 225WP15 | 10" | 261 |
| 225WP16 | 12" | 386 |

225M

Mechanical Joint Ductile Iron Gate Valve - Resilient Wedge - NRS

- AWWA C515-15
- 300 PSI 2" - 12"
- 250 PSI 14" - 18"
- 200 PSI 20" - 24"
- UL Listed / FM Approved
- Temp Range of 140°F - 180°F
- AWWA C550 Epoxy
- NSF-61 / NSF-372 Verified by UL Water Quality
- Supplied With Handwheel & Op. Nut

| Model Number | SIZE | WEIGHT |
|--|------|--------|
| 225M08 | 2" | 33 |
| 225M10 | 3" | 44 |
| 225M11 | 4" | 58 |
| 225M13 | 6" | 102 |
| 225M14 | 8" | 154 |
| 225M15 | 10" | 231 |
| 225M16 | 12" | 350 |
| 225M17 | 14" | 480 |
| 225M18 | 16" | 685 |
| 225M19 | 18" | 890 |
| 225M20 | 20" | 1044 |
| 225M24 | 24" | 1503 |
| <i>Post Indicator Gate Valve With Plate - Supplied With Op. Nut Only</i> | | |
| 225MP11 | 4" | 67 |
| 225MP13 | 6" | 106 |
| 225MP14 | 8" | 166 |
| 225MP15 | 10" | 256 |
| 225MP16 | 12" | 377 |

225MR

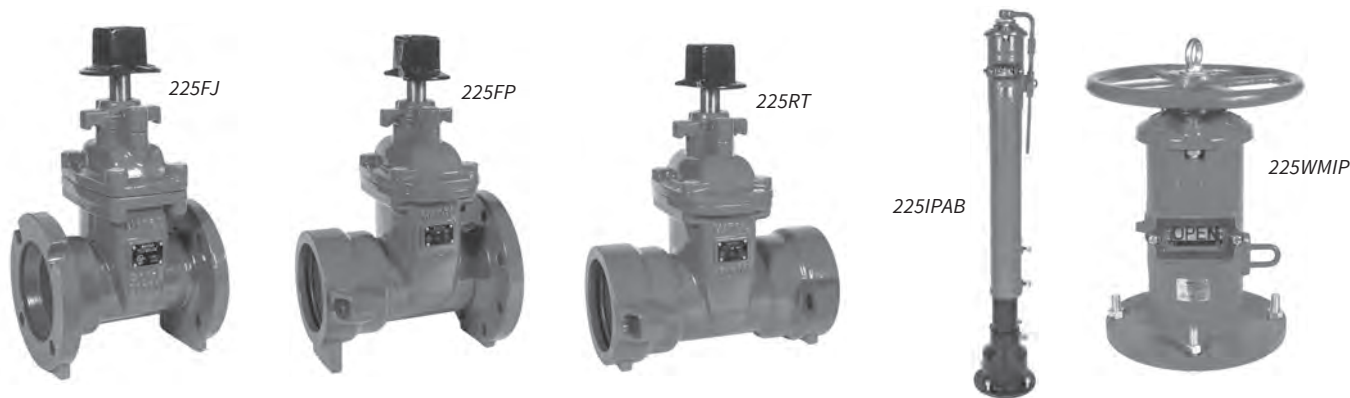
Mechanical Joint Ductile Iron Gate Valve - Resilient Wedge - NRS

- AWWA C515-15
- 300 PSI 2" - 12"
- UL Listed / FM Approved
- Temp Range of 140°F - 180°F
- AWWA C550 Epoxy
- NSF-61 / NSF-372 Verified by UL Water Quality

| Model Number | SIZE | WEIGHT |
|--------------|------|--------|
| 225M10R | 3" | 44 |
| 225M11R | 4" | 58 |
| 225M13R | 6" | 102 |
| 225M14R | 8" | 154 |
| 225M15R | 10" | 231 |
| 225M16R | 12" | 350 |



Resilient Wedge - Non-Rising Stem | Ductile Iron Gate Valves



Flanged x MJ Ductile Iron Gate Valve - Resilient Wedge - NRS **225FJ**

- AWWA C515-15
- 300 PSI
- UL Listed / FM Approved
- Temp Range of 140°F - 180°F
- AWWA C550 Epoxy
- NSF-61 / NSF-372 Verified by UL Water Quality

| Model Number | SIZE | WEIGHT |
|--------------|------|--------|
| 225FJ10 | 3" | 44 |
| 225FJ11 | 4" | 71 |
| 225FJ13 | 6" | 103 |
| 225FJ14 | 8" | 184 |
| 225FJ15 | 10" | 267 |
| 225FJ16 | 12" | 386 |

Flanged x MJ Ductile Iron Gate Valve - Resilient Wedge - NRS - Open Right **225FJR**

- AWWA C515-15
- 300 PSI
- UL Listed / FM Approved
- Temp Range of 140°F - 180°F
- AWWA C550 Epoxy
- NSF-61 / NSF-372 Verified by UL Water Quality

| Model Number | SIZE | WEIGHT |
|--------------|------|--------|
| 225FJ11R | 4" | 71 |
| 225FJ13R | 6" | 103 |
| 225FJ14R | 8" | 184 |
| 225FJ15R | 10" | 267 |
| 225FJ16R | 12" | 386 |

Flanged x Push-On (C900/DI Pipe) Ductile Iron Gate Valve - Resilient Wedge - NRS **225FP**

- AWWA C515-15
- 300 PSI
- UL Listed / FM Approved
- Less Gasket
- Temp Range of 140°F - 180°F
- AWWA C550 Epoxy
- NSF-61 / NSF-372 Verified by UL Water Quality

| Model Number | SIZE | WEIGHT |
|--------------|------|--------|
| 225FP11 | 4" | 58 |
| 225FP13 | 6" | 102 |
| 225FP14 | 8" | 154 |
| 225FP15 | 10" | 231 |
| 225FP16 | 12" | 350 |

225RG Tyton Style Ring Gaskets Available.

Push-On x Push-On (C900/DI Pipe) Ductile Iron Gate Valve - Resilient Wedge - NRS **225RT**

- AWWA C515-15
- 300 PSI
- UL Listed / FM Approved
- Temp Range of 140°F - 180°F
- AWWA C550 Epoxy
- NSF-61 / NSF-372 Verified by UL Water Quality

| Model Number | SIZE | WEIGHT |
|--------------|------|--------|
| 225RT11 | 4" | 58 |
| 225RT13 | 6" | 102 |
| 225RT14 | 8" | 154 |
| 225RT15 | 10" | 231 |
| 225RT16 | 12" | 350 |

225RG Tyton Style Ring Gaskets Available.

Tapping Flanged x MJ Ductile Iron Gate Valve - Resilient Wedge - NRS **225TV**

- AWWA C515-15
- AWWA C550 Epoxy
- 200 PSI
- Temp Range of 140°F - 180°F
- MSS SP-60
- 4 Stem Seal O-Rings

| Model Number | SIZE | WEIGHT |
|--------------|------|--------|
| 225TV11 | 4" | 71 |
| 225TV13 | 6" | 103 |
| 225TV14 | 8" | 184 |
| 225TV15 | 10" | 267 |
| 225TV16 | 12" | 386 |

Post Indicator Attachments **225**

| Model Number | SIZE | WEIGHT |
|--|--|--------|
| 225IPAB | 4" UL/FM Vertical Indicator Post "AB" Length | 50 |
| 225IPC | 4" UL/FM Vertical Indicator Post "C" Length | 172 |
| 225WMIP | UL/FM Indicator Post - Wall Mount | 50 |
| POST INDICATOR PLATES AVAILABLE | | |
| P225PIP48 | 4" - 8" | 18 |
| P225PIP12 | 10" - 12" | 22 |

Ductile Iron Gate Valves



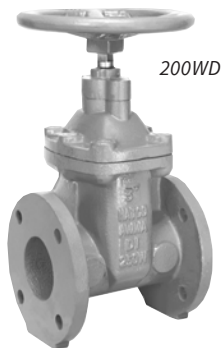
Ductile Iron Gate Valves | Resilient Wedge - Non-Rising Stem



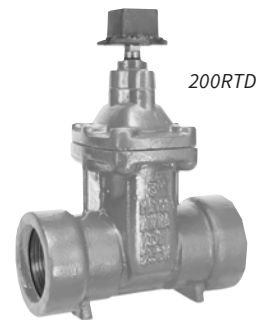
200WW



200MW



200WD



200RTD

200WW

Flanged Ductile Iron Gate Valve - Resilient Wedge - NRS

- AWWA C509-15
- 250 CWP
- Maximum Temperature 230 ° F
- Fusion Bonded Epoxy

Model Number

| HANDWHEEL | OP. NUT | SIZE | WEIGHT |
|-----------|----------|------|--------|
| 200W08W | 200W08NW | 2" | 31 |
| 200W10W | 200W10NW | 3" | 53 |
| 200W11W | 200W11NW | 4" | 77 |
| 200W13W | 200W13NW | 6" | 135 |
| 200W14W | 200W14NW | 8" | 209 |
| 200W15W | 200W15NW | 10" | 333 |
| 200W16W | 200W16NW | 12" | 462 |

For Larger Sizes See 225M On Page 45.

200MW

Mechanical Joint Ductile Iron Gate Valve - Resilient Wedge - NRS

- AWWA C509-15
- 250 CWP
- Maximum Temperature 230 ° F
- Fusion Bonded Epoxy

Model Number

| OP.NUT | OPEN RIGHT | SIZE | WEIGHT |
|---------|------------|------|--------|
| 200M10W | 200M10NW | 3" | 53 |
| 200M11W | 200M11NW | 4" | 77 |
| 200M13W | 200M13NW | 6" | 135 |
| 200M14W | 200M14NW | 8" | 209 |
| 200M15W | 200M15NW | 10" | 333 |
| 200M16W | 200M16NW | 12" | 462 |

For Larger Sizes See 225W On Page 45.

200WD

Flanged Ductile Iron Gate Valve - BUNA Resilient Wedge - NRS

- AWWA C515-15
- Fusion Bonded Epoxy
- 6" - 12" - 250 CWP
- 16" - 200 CWP

Model Number

| HANDWHEEL | SIZE | WEIGHT |
|-----------|------|--------|
| 200WD13 | 6" | 119 |
| 200WD14 | 8" | 203 |
| 200WD15 | 10" | 282 |
| 200WD16 | 12" | 412 |
| 200WD18 | 16" | 1602 |

200RTD

Ring-Tite Ductile Iron Gate Valve - Resilient Wedge - NRS - For IPS Pipe

- AWWA C509-15
- 250 CWP
- Fusion Bonded Epoxy

Model Number

| OP. NUT | SIZE | WEIGHT |
|----------|--------|--------|
| 200RTD08 | 2" | 25 |
| 200RTD09 | 2-1/2" | 31 |
| 200RTD10 | 3" | 38 |
| 200RTD11 | 4" | 54 |
| 200RTD13 | 6" | 104 |
| 200RTD14 | 8" | 171 |
| 200RTD15 | 10" | 289 |
| 200RTD16 | 12" | 447 |



Resilient Wedge - Non-Rising Stem | Cast Iron Gate Valves



Flanged Cast Iron Gate Valve - Resilient Wedge - NRS

10RW

- 200 CWP 2" - 8"
- 150 CWP 10" - 12"
- 3 Bosses - 1 Tapped & Plugged
- USC Approved
- Epoxy Coated

| Model Number | | | |
|--------------|---------|--------|--------|
| HANDWHEEL | OP. NUT | SIZE | WEIGHT |
| 10RW08 | 10RW08N | 2" | 25 |
| 10RW09 | - | 2-1/2" | 31 |
| 10RW10 | 10RW10N | 3" | 42 |
| 10RW11 | 10RW11N | 4" | 64 |
| 10RW12 | 10RW12N | 5" | 97 |
| 10RW13 | 10RW13N | 6" | 108 |
| 10RW14 | 10RW14N | 8" | 191 |
| 10RW15 | - | 10" | 286 |
| 10RW16 | - | 12" | 393 |



Threaded Cast Iron Gate Valve - Resilient Wedge - NRS

10RS

- 200 CWP
- 3 Bosses - 1 Tapped & Plugged

| Model Number | | | |
|--------------|---------|--------|--------|
| HANDWHEEL | OP. NUT | SIZE | WEIGHT |
| 10RS08 | 10RS08N | 2" | 18 |
| 10RS09 | 10RS09N | 2-1/2" | 20 |
| 10RS10 | 10RS10N | 3" | 26 |
| 10RS11 | 10RS11N | 4" | 44 |
| 10RS12 | - | 5" | 77 |
| 10RS13 | - | 6" | 95 |

Ring-Tite Ductile Iron Gate Valve - Resilient Wedge - NRS - For IPS Pipe

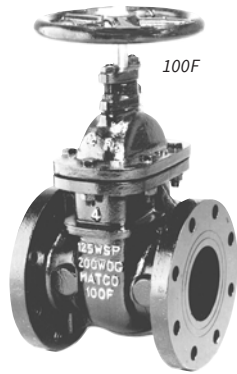
10RT

- 200 CWP 250 CWP
- 3 Bosses - 1 Tapped & Plugged
- Epoxy Coated

| Model Number | | | |
|--------------|--------|--------|--|
| OP. NUT | SIZE | WEIGHT | |
| 10RT08 | 2" | 20 | |
| 10RT09 | 2-1/2" | 22 | |
| 10RT10 | 3" | 33 | |
| 10RT11 | 4" | 46 | |
| 10RT13 | 6" | 90 | |
| 10RT14 | 8" | 154 | |



Cast Iron Gate Valves | IBBM - Iron Body Bronze Mounted



100F Flanged Cast Iron Gate Valve - IBBM - NRS

- 2" - 12" - 125 SWP
- 2" - 12" - 200 WOG
- 14" - 18" - 125 SWP
- 14" - 18" - 150 WOG
- 3 Bosses
- MSS SP-70
- WW-V-58-CL1
- Bituminous Coated

| Model Number | | |
|--------------|--------|--------|
| HANDWHEEL | SIZE | WEIGHT |
| 100F08 | 2" | 26 |
| 100F09 | 2-1/2" | 35 |
| 100F10 | 3" | 44 |
| 100F11 | 4" | 77 |
| 100F12 | 5" | 97 |
| 100F13 | 6" | 128 |
| 100F14 | 8" | 220 |
| 100F15 | 10" | 315 |
| 100F16 | 12" | 483 |
| 100F17 | 14" | 807 |
| 100F18 | 16" | 1077 |
| 100F19 | 18" | 1301 |

OP. Nuts Available. See Page 59 for Part Numbers.

105F Flanged Cast Iron Gate Valve - OS&Y - IBBM - Rising Stem

- 2" - 12" - 125 SWP
- 2" - 12" - 200 WOG
- 14" - 18" - 125 SWP
- 14" - 18" - 150 WOG
- 3 Bosses
- MSS SP-70
- WW-V-58-CL1
- Bituminous Coated

| Model Number | | |
|--------------|--------|--------|
| HANDWHEEL | SIZE | WEIGHT |
| 105F08 | 2" | 29 |
| 105F09 | 2-1/2" | 37 |
| 105F10 | 3" | 50 |
| 105F11 | 4" | 86 |
| 105F12 | 5" | 115 |
| 105F13 | 6" | 150 |
| 105F14 | 8" | 249 |
| 105F15 | 10" | 374 |
| 105F16 | 12" | 524 |
| 105F17 | 14" | 816 |
| 105F18 | 16" | 1187 |
| 105F19 | 18" | 1413 |
| 105F20 | 20" | 2104 |
| 105F24 | 24" | 3184 |

100S Threaded Cast Iron Gate Valve - IBBM - NRS

- 125 SWP
- 200 WOG
- Bituminous Coated
- MSS SP-70
- WW-V-58-CL1

| Model Number | | |
|--------------|--------|--------|
| HANDWHEEL | SIZE | WEIGHT |
| 100S08 | 2" | 23 |
| 100S09 | 2-1/2" | 25 |
| 100S10 | 3" | 34 |
| 100S11 | 4" | 58 |
| 100S12 | 5" | 77 |
| 100S13 | 6" | 111 |



IBBM - Iron Body Bronze Mounted | Cast Iron Gate & Globe Valves



| Flanged Cast Iron Globe Valve - OS&Y - IBBM - Rising Stem | | | 150F |
|--|--------|--------|------|
| <ul style="list-style-type: none"> • 125 SWP • 200 WOG • MSS SP-70 • Bituminous Coated | | | |
| Model Number | SIZE | WEIGHT | |
| 150F08 | 2" | 38 | |
| 150F09 | 2-1/2" | 49 | |
| 150F10 | 3" | 60 | |
| 150F11 | 4" | 99 | |
| 150F13 | 6" | 187 | |
| 150F14 | 8" | 315 | |

| Flanged Cast Iron Gate Valve - IBBM - NRS | | | 200F |
|---|---------|--------|--------|
| <ul style="list-style-type: none"> • 200 WOG - Not for Steam Service • MSS SP-70 • Bituminous Coated | | | |
| Model Number | OP. NUT | SIZE | WEIGHT |
| 200F09 | | 2-1/2" | 39 |
| 200F10 | | 3" | 47 |
| 200F11 | | 4" | 66 |
| 200F13 | | 6" | 139 |
| 200F14 | | 8" | 201 |
| 200F15 | | 10" | 295 |

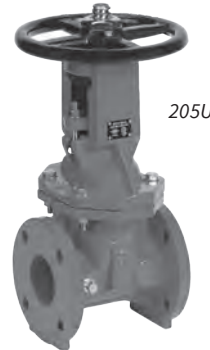
OP. Nuts Available. See Page 59 for Part Numbers.

| Flanged Cast Iron Gate Valve - OS&Y - IBBM - Rising Stem | | | 205F |
|---|------|--------|------|
| <ul style="list-style-type: none"> • 200 WOG - Not for Steam Service • MSS SP-70 • Bituminous Coated | | | |
| Model Number | SIZE | WEIGHT | |
| 200F10 | 3" | 51 | |
| 200F11 | 4" | 75 | |
| 200F13 | 6" | 141 | |
| 200F14 | 8" | 223 | |
| 200F15 | 10" | 322 | |

Cast Iron Gate & Globe Valves



Cast Iron & Ductile Iron Gate Valves | Resilient Wedge



105W

Flanged Cast Iron Gate Valve - OS&Y - Resilient Wedge - Rising Stem

- AWWA C509
- 3" - 12" - 200 CWP
- 14" - 16" - 125 CWP
- 3 Bosses - 1 Tapped & Plugged
- MSS SP-70
- Fusion Bonded Epoxy - AWWA C550

| Model Number | | |
|--------------|------|--------|
| | SIZE | WEIGHT |
| 105W10 | 3" | 64 |
| 105W11 | 4" | 93 |
| 105W13 | 6" | 157 |
| 105W14 | 8" | 269 |
| 105W15 | 10" | 436 |
| 105W16 | 12" | 597 |
| 105W17 | 14" | 827 |
| 105W18 | 16" | 1135 |

205U

Flanged Cast Iron Gate Valve - OS&Y - Resilient Wedge - Rising Stem

- AWWA C515-15
- 300 CWP
- Max. Temperature 180° F
- 4 Bosses - 1 Tapped & Plugged
- Fusion Bonded Epoxy Coating - AWWA C550

| Model Number | | |
|--------------|--------|--------|
| | SIZE | WEIGHT |
| 205U09 | 2-1/2" | 57 |
| 205U10 | 3" | 69 |
| 205U11 | 4" | 104 |
| 205U13 | 6" | 172 |
| 205U14 | 8" | 243 |
| 205U15 | 10" | 440 |
| 205U16 | 12" | 683 |



105U

Flanged Cast Iron Gate Valve - OS&Y - Resilient Wedge - Rising Stem

- 175 SWP
- 3 Bosses - 1 Tapped & Plugged
- N.Y.C. Approved
- USC Approved
- Fusion Bonded Epoxy

| Model Number | | |
|--------------|--------|--------|
| | SIZE | WEIGHT |
| 105U09 | 2-1/2" | 51 |
| 105U10 | 3" | 66 |
| 105U11 | 4" | 97 |
| 105U13 | 6" | 164 |
| 105U14 | 8" | 283 |
| 105U15 | 10" | 456 |
| 105U16 | 12" | 756 |



205UCNY

Flanged Ductile Iron Gate Valve - OS&Y - Resilient Wedge - Rising Stem

- AWWA C515-15
- 300 CWP
- Max. Temperature 180° F
- Less Tap & Plug
- Chicago / NYC Body Spec
- Fusion Bonded Epoxy Coating - AWWA C550

| Model Number | | |
|--------------|--------|--------|
| | SIZE | WEIGHT |
| 205U09CNY | 2-1/2" | 57 |
| 205U10CNY | 3" | 69 |
| 205U11CNY | 4" | 104 |
| 205U13CNY | 6" | 172 |
| 205U14CNY | 8" | 243 |
| 205U15CNY | 10" | 440 |
| 205U16CNY | 12" | 683 |



Ductile Iron Plug Valves



| Flanged Ductile Iron Eccentric Plug Valve | | 130W |
|--|------|--|
| <ul style="list-style-type: none"> • AWWA C517 • 250 PSI | | <ul style="list-style-type: none"> • AWWA C550 Epoxy • EPDM Plug |
| Model Number | | |
| WITH GEAR & HANDWHEEL | SIZE | WEIGHT |
| 130W10 | 3" | 57 |
| 130W11 | 4" | 72 |
| 130W13 | 6" | 124 |
| 130W14 | 8" | 203 |
| 130W15 | 10" | 336 |
| 130W16 | 12" | 426 |
| WITH 2" OP. NUT | | |
| 130W10N | 3" | 47 |
| 130W11N | 4" | 61 |
| 130W13N | 6" | 100 |
| WITH GEAR & 2" OP. NUT | | |
| 130WG14N | 8" | 142 |
| 130WG15N | 10" | 312 |
| 130WG16N | 12" | 351 |

| MJ Ductile Iron Eccentric Plug Valve | | 130M |
|--|------|--|
| <ul style="list-style-type: none"> • AWWA C517 • 250 PSI • AWWA C550 Epoxy • EPDM Plug | | <ul style="list-style-type: none"> • Supplied With Op. Nut • MG Supplied With Op. Nut & Gear |
| Model Number | | |
| | SIZE | WEIGHT |
| 130M10 | 3" | 47 |
| 130M11 | 4" | 61 |
| 130M13 | 6" | 100 |
| 130MG14 | 8" | 141 |
| 130MG15 | 10" | 312 |
| 130MG16 | 12" | 351 |



Swing Check Valves | IBBM & Resilient Seat



115F



115S



120F



120S

115F Flanged Cast Iron Swing Check Valve - IBBM

- 125 SWP
- 200 WOG
- One Boss
- MSS SP-71
- Bituminous Coated

| Model Number | | |
|--------------|--------|--------|
| | SIZE | WEIGHT |
| 115F08 | 2" | 20 |
| 115F09 | 2-1/2" | 31 |
| 115F10 | 3" | 42 |
| 115F11 | 4" | 69 |
| 115F12 | 5" | 80 |
| 115F13 | 6" | 115 |
| 115F14 | 8" | 231 |
| 115F15 | 10" | 357 |
| 115F16 | 12" | 498 |

115S Threaded Cast Iron Swing Check Valve

- 125 SWP
- 200 WOG
- MSS SP-71
- Bituminous Coated

| Model Number | | |
|--------------|--------|--------|
| | SIZE | WEIGHT |
| 115S08 | 2" | 14 |
| 115S09 | 2-1/2" | 18 |
| 115S10 | 3" | 27 |
| 115S11 | 4" | 53 |

120F Flanged Cast Iron Swing Check Valve - Resilient Seat

- 200 WOG
- One Boss
- MSS SP-71
- Epoxy Coated

| Model Number | | |
|--------------|--------|--------|
| | SIZE | WEIGHT |
| 120F08 | 2" | 20 |
| 120F09 | 2-1/2" | 31 |
| 120F10 | 3" | 41 |
| 120F11 | 4" | 69 |
| 120F12 | 5" | 79 |
| 120F13 | 6" | 115 |
| 120F14 | 8" | 230 |
| 120F15 | 10" | 356 |
| 120F16 | 12" | 497 |

120S Threaded Cast Iron Swing Check Valve - Resilient Seat

- 200 WOG
- MSS SP-71
- Epoxy Coated

| Model Number | | |
|--------------|--------|--------|
| | SIZE | WEIGHT |
| 120S08 | 2" | 14 |
| 120S09 | 2-1/2" | 18 |
| 120S10 | 3" | 27 |
| 120S11 | 4" | 53 |
| 120S13 | 6" | 99 |





120W



120WC



120U

| 120W | | Flanged Ductile Iron Swing Check Valve - Resilient Seat | |
|--|------|---|--|
| <ul style="list-style-type: none"> • AWWA C508 • 300 CWP | | <ul style="list-style-type: none"> • 3 Bosses • Fusion Bonded Epoxy | |
| Model Number | | | |
| | SIZE | WEIGHT | |
| 120W10 | 3" | 56 | |
| 120W11 | 4" | 75 | |
| 120W13 | 6" | 144 | |
| 120W14 | 8" | 275 | |
| 120W15 | 10" | 435 | |
| 120W16 | 12" | 594 | |

| 120U | | Flanged Cast Iron Swing Check Valve - Resilient Seat | | |
|---|--------|--|--------|--|
| <ul style="list-style-type: none"> • 175 CWP • One Boss | | <ul style="list-style-type: none"> • N.Y.C. Approved • Fusion Bonded Epoxy | | |
| Model Number | | | | |
| | SIZE | DRAIN ON BOTTOM | WEIGHT | |
| 120U09 | 2-1/2" | 1/2" | 44 | |
| 120U10 | 3" | 1/2" | 51 | |
| 120U11 | 4" | 1/2" | 79 | |
| 120U13 | 6" | 3/4" | 152 | |
| 120U14 | 8" | 1" | 312 | |
| 120U15 | 10" | 1" | 462 | |
| 120U16 | 12" | 1" | 662 | |
| | | | | |

| 120WC | | Flanged Ductile Iron Swing Check Valve - Resilient Seat | |
|--|------|---|--|
| <ul style="list-style-type: none"> • AWWA C508 • 3" - 12" 300 CWP • 14" - 16" 150 CWP | | <ul style="list-style-type: none"> • One Boss • Fusion Bonded Epoxy | |
| Model Number | | | |
| | SIZE | WEIGHT | |
| 120WC10 | 3" | 57 | |
| 120WC11 | 4" | 84 | |
| 120WC13 | 6" | 156 | |
| 120WC14 | 8" | 294 | |
| 120WC15 | 10" | 466 | |
| 120WC16 | 12" | 627 | |
| 120WC17 | 14" | 873 | |
| 120WC18 | 16" | 1025 | |
| P120WSK Spring Kit Available For 120WC. | | | |
| P120WLW Replacement Lever & Weight Available for 120WC. | | | |



P120WSK



Wafer Style Check Valves



CVC



CVCUL



SC

| CVC | | |
|--|--------|--|
| Wafer Check Valve - Double Bronze Disc - BUNA - N Seat | | |
| <ul style="list-style-type: none"> • Class 125 • 300 WOG | | <ul style="list-style-type: none"> • Ductile Iron Body - SS Springs & Shaft |
| Model Number | SIZE | WEIGHT |
| CVC-2 | 2" | 4 |
| CVC-2.5 | 2-1/2" | 5 |
| CVC-3 | 3" | 8 |
| CVC-4 | 4" | 13 |
| CVC-5 | 5" | 16 |
| CVC-6 | 6" | 20 |
| CVC-8 | 8" | 38 |
| CVC-10 | 10" | 57 |
| CVC-12 | 12" | 92 |
| CVC-14 | 14" | 121 |
| CVC-16 | 16" | 165 |

| CVCUL | | |
|--|------|---|
| Wafer Check Valve - Double SS Disc - EPDM Seat | | |
| <ul style="list-style-type: none"> • Class 125 • 175 PSI | | <ul style="list-style-type: none"> • UL Listed • Ductile Iron Body - SS Springs & Shaft |
| Model Number | SIZE | WEIGHT |
| CVC-4UL | 4" | 19 |
| CVC-6UL | 6" | 30 |
| CVC-8UL | 8" | 51 |

| SC | | |
|--|--------|---|
| Silent Wafer Check Valve - Poppet Style - Bronze Disc and Seat | | |
| <ul style="list-style-type: none"> • Class 125 • 200 WOG | | <ul style="list-style-type: none"> • Cast Iron Body - SS Springs |
| Model Number | SIZE | WEIGHT |
| SC-2 | 2" | 7 |
| SC-2.5 | 2-1/2" | 9 |
| SC-3 | 3" | 15 |
| SC-4 | 4" | 25 |
| SC-5 | 5" | 32 |
| SC-6 | 6" | 56 |
| SC-8 | 8" | 100 |
| SC-10 | 10" | 140 |
| SC-12 | 12" | 340 |

Need Help?

CONTACT US DIRECTLY

1. mail@matco-norca.com
2. (800) 688-2583
3. [matco-norca.com/contact us](http://matco-norca.com/contact-us)



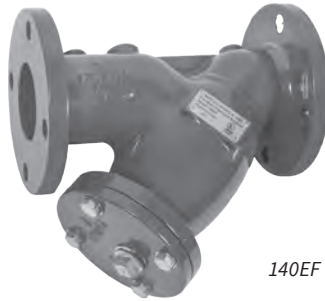
Join Our Email List



Cast Iron Y Strainers



140F



140EF



140S

Flanged Cast Iron Y Strainer

140F

- 125 SWP
- 200 WOG

- Bituminous Coated

| Model Number | | |
|--------------|--------|--------|
| | SIZE | WEIGHT |
| 140F08 | 2" | 20 |
| 140F09 | 2-1/2" | 31 |
| 140F10 | 3" | 42 |
| 140F11 | 4" | 73 |
| 140F12 | 5" | 107 |
| 140F13 | 6" | 121 |
| 140F14 | 8" | 198 |
| 140F15 | 10" | 372 |
| 140F16 | 12" | 539 |

Flanged Cast Iron Y Strainer

140EF

- 175 PSI
- UL/ULC Listed

- AWWA C550 Epoxy

| Model Number | | |
|--------------|--------|--------|
| | SIZE | WEIGHT |
| 140EF09 | 2-1/2" | 29 |
| 140EF10 | 3" | 38 |
| 140EF11 | 4" | 66 |
| 140EF13 | 6" | 133 |
| 140EF14 | 8" | 199 |
| 140EF15 | 10" | 353 |
| 140EF16 | 12" | 530 |

Threaded Cast Iron Y Strainer

140S

- 250 SWP

- Bituminous Coated

| Model Number | | |
|--------------|--------|--------|
| | SIZE | WEIGHT |
| 140S02 | 3/8" | 1 |
| 140S03 | 1/2" | 1 |
| 140S04 | 3/4" | 2 |
| 140S05 | 1" | 3 |
| 140S06 | 1-1/2" | 5 |
| 140S07 | 1-1/2" | 7 |
| 140S08 | 2" | 12 |
| 140S09 | 2-1/2" | 27 |
| 140S10 | 3" | 38 |



Cast Iron Flanges | Companion, Reducing, Blind, PVC Van Stone Flanges



CICFB



CICFG



CIRFB



CIRFG



CIBF



PVCF

| CICF | | Cast Iron Companion Flange | | | |
|--------------|---------|----------------------------|------------|--------|--|
| Model Number | | | | | |
| BLACK | GALV. | FLANGE x O.D. | # OF HOLES | WEIGHT | |
| CICFB07 | CICFG07 | 1-1/2" x 5" | 4 | 3 | |
| CICFB08 | CICFG08 | 2" x 6" | 4 | 4 | |
| CICFB09 | CICFG09 | 2-1/2" x 7" | 4 | 6 | |
| CICFB10 | CICFG10 | 3" x 7-1/2" | 4 | 8 | |
| CICFB11 | CICFG11 | 4" x 9" | 8 | 12 | |
| CICFB12 | CICFG12 | 5" x 10" | 8 | 14 | |
| CICFB13 | CICFG13 | 6" x 11" | 8 | 17 | |
| CICFB14 | CICFG14 | 8" x 13-1/2" | 8 | 26 | |
| CICFB15 | CICFG15 | 10" x 16" | 12 | 38 | |
| CICFB16 | CICFG16 | 12" x 19" | 12 | 57 | |

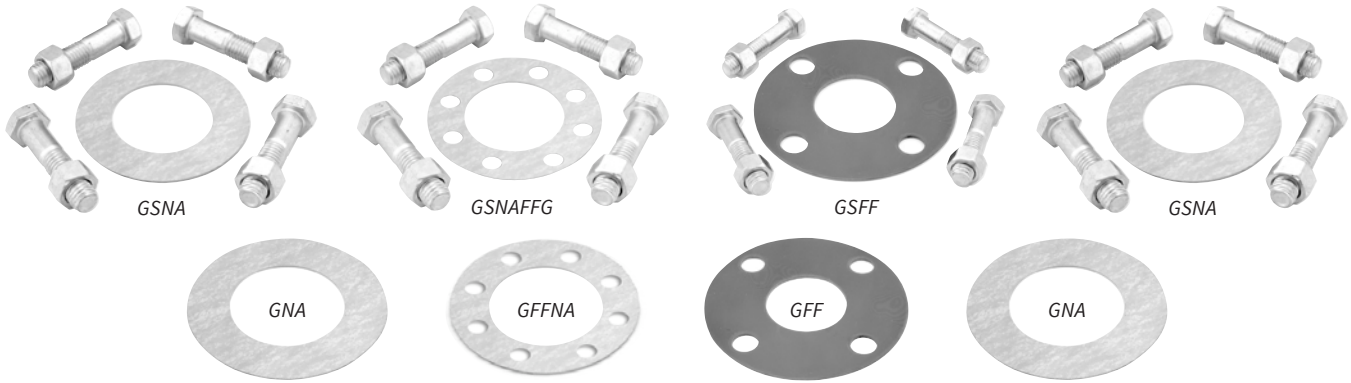
| CIBF | | Cast Iron Blind Flange | | | |
|--------------|--------------|------------------------|------------|--------|--|
| Model Number | | | | | |
| BLACK | NOMINAL SIZE | FLANGE x O.D. | # OF HOLES | WEIGHT | |
| CIBFB08 | 2" | 2" x 6" | 4 | 5 | |
| CIBFB09 | 2-1/2" | 2-1/2" x 7" | 4 | 7 | |
| CIBFB10 | 3" | 3" x 7-1/2" | 4 | 9 | |
| CIBFB11 | 4" | 4" x 9" | 8 | 16 | |
| CIBFB13 | 6" | 6" x 11" | 8 | 25 | |
| CIBFB14 | 8" | 8" x 13-1/2" | 8 | 42 | |
| CIBFB15 | 10" | 10" x 16" | 12 | 65 | |
| CIBFB16 | 12" | 12" x 19" | 12 | 85 | |

| CIRF | | Cast Iron Reducing Flange | | | |
|--------------|-----------|---------------------------|------------------|------------|--------|
| Model Number | | | | | |
| BLACK | GALV. | FLANGE x IPS | IPS x O.D. | # OF HOLES | WEIGHT |
| CIRFB32 | CIRFG32 | 3" x 2" | 2" x 7-1/2" | 4 | 9 |
| CIRFB32.5 | CIRFG32.5 | 3" x 2-1/2" | 2-1/2" x 7-1/2" | 4 | 8 |
| CIRFB42 | CIRFG42 | 4" x 2" | 2" x 9" | 4 | 14 |
| CIRFB42.5 | CIRFG42.5 | 4" x 2-1/2" | 2-1/2" x 9" | 4 | 13 |
| CIRFB43 | CIRFG43 | 4" x 3" | 3" x 9" | 8 | 13 |
| CIRFB52.5 | CIRFG52.5 | 5" x 2-1/2" | 2-1/2" x 10" | 8 | 20 |
| CIRFB54 | CIRFG54 | 5" x 4" | 4" x 10" | 8 | 16 |
| CIRFB62 | CIRFG62 | 6" x 2" | 2" x 11" | 8 | 26 |
| CIRFB62.5 | CIRFG62.5 | 6" x 2-1/2" | 2-1/2" x 11" | 8 | 22 |
| CIRFB63 | CIRFG63 | 6" x 3" | 3" x 11" | 8 | 23 |
| CIRFB64 | CIRFG64 | 6" x 4" | 4" x 11" | 8 | 21 |
| CIRFB65 | CIRFG65 | 6" x 5" | 5" x 11" | 8 | 19 |
| CIRFB82 | CIRFG82 | 8" x 2" | 2" x 13-1/2" | 8 | 44 |
| CIRFB82.5 | CIRFG82.5 | 8" x 2-1/2" | 2-1/2" x 13-1/2" | 8 | 40 |
| CIRFB83 | CIRFG83 | 8" x 3" | 3" x 13-1/2" | 8 | 40 |
| CIRFB84 | CIRFG84 | 8" x 4" | 4" x 13-1/2" | 8 | 37 |
| CIRFB85 | CIRFG85 | 8" x 5" | 5" x 13-1/2" | 8 | 34 |
| CIRFB86 | CIRFG86 | 8" x 5" | 6" x 13-1/2" | 8 | 31 |

| PVCF | | PVC Van Stone Flange - (Sch 80) Socket (Swivel) | | |
|--------------|------|---|--------|--|
| Model Number | | | | |
| | SIZE | # OF HOLES | WEIGHT | |
| PVCF08 | 2" | 4 | 1 | |
| PVCF10 | 3" | 4 | 2 | |
| PVCF11 | 4" | 8 | 3 | |
| PVCF12 | 5" | 8 | 4 | |
| PVCF13 | 6" | 8 | 4 | |
| PVCF14 | 8" | 8 | 6 | |
| PVCF15 | 10" | 12 | 11 | |

Cast Iron Flanges





| 150# Non-Asbestos Ring Bolt Pack - 1/16" | | | GSNA/GNA |
|--|-------------|--------|----------|
| Model Number | | | |
| PACK | GASKET ONLY | SIZE | |
| GSNAG2 | GNA2 | 2" | |
| GSNAG2.5 | GNA2.5 | 2-1/2" | |
| GSNAG3 | GNA3 | 3" | |
| GSNAG4 | GNA4 | 4" | |
| GSNAG5 | GNA5 | 5" | |
| GSNAG6 | GNA6 | 6" | |
| GSNAG8 | GNA8 | 8" | |
| GSNAG10 | GNA10 | 10" | |
| GSNAG12 | GNA12 | 12" | |
| GSNAG14 | GNA14 | 14" | |
| GSNAG16 | GNA16 | 16" | |

| 150# Non-Asbestos Full Face Bolt Pack - 1/16" | | | GSNAFFG/GFFNA |
|---|-------------|--------|---------------|
| Model Number | | | |
| PACK | GASKET ONLY | SIZE | |
| GSNAFFG2 | GFFNA2 | 2" | |
| GSNAFFG2.5 | GFFNA2.5 | 2-1/2" | |
| GSNAFFG3 | GFFNA3 | 3" | |
| GSNAFFG4 | GFFNA4 | 4" | |
| GSNAFFG5 | GFFNA5 | 5" | |
| GSNAFFG6 | GFFNA6 | 6" | |
| GSNAFFG8 | GFFNA8 | 8" | |

| 150# Full Face Red Rubber Bolt Pack - 1/8" | | | GSFF/GFF |
|--|-------------|--------|----------|
| Model Number | | | |
| PACK | GASKET ONLY | SIZE | |
| GSFFG2 | GFF2 | 2" | |
| GSFFG2.5 | GFF2.5 | 2-1/2" | |
| GSFFG3 | GFF3 | 3" | |
| GSFFG4 | GFF4 | 4" | |
| GSFFG5 | GFF5 | 5" | |
| GSFFG6 | GFF6 | 6" | |
| GSFFG8 | GFF8 | 8" | |
| GSFFG10 | GFF10 | 10" | |
| GSFFG12 | GFF12 | 12" | |
| GSFFG14 | GFF14 | 14" | |
| GSFFG16 | GFF16 | 16" | |

| 300# Non-Asbestos Ring Bolt Pack - 1/16" | | | GSNAX/GNAX |
|--|-------------|--------|------------|
| Model Number | | | |
| PACK | GASKET ONLY | SIZE | |
| GSNAXG2 | GNAX2 | 2" | |
| GSNAXG2.5 | GNAX2.5 | 2-1/2" | |
| GSNAXG3 | GNAX3 | 3" | |
| GSNAXG4 | GNAX4 | 4" | |
| GSNAXG5 | GNAX5 | 5" | |
| GSNAXG6 | GNAX6 | 6" | |
| GSNAXG8 | GNAX8 | 8" | |

| Plated Stud Bolt, Nut And Washer Set | | | SBG |
|--------------------------------------|-------------|-----|-----------|
| • For Wafer Butterfly Valves | | | |
| Model Number | | | |
| | FITS SIZES | QTY | BOLT SIZE |
| SBG2 | 2" & 2-1/2" | 4 | 5/8" x 6" |
| SBG3 | 3" | 4 | 5/8" x 7" |
| SBG4 | 4" | 8 | 5/8" x 7" |
| SBG6 | 5", 6" & 8" | 8 | 3/4" x 7" |
| SBG10 | 10" & 12" | 12 | 7/8" x 8" |
| SBG14 | 14" | 12 | 1" x 8" |
| SBG16 | 16" | 16 | 1" x 10" |



Mechanical Joint Accessory Kits | T-Wrench for Cast & Ductile Valves



| 100MJ MJ Accessory Kit - Fits Ductile Iron & C-900 Pipe | | |
|---|------|--------|
| • Includes - STD T-Head Bolts, MJ Gasket & D.I. Gland | | |
| Model Number | | |
| | SIZE | WEIGHT |
| 100MJ2 | 2" | 5 |
| 100MJ3 | 3" | 7 |
| 100MJ4 | 4" | 8 |
| 100MJ6 | 6" | 12 |
| 100MJ8 | 8" | 15 |
| 100MJ10 | 10" | 20 |
| 100MJ12 | 12" | 25 |
| 100MJ14 | 14" | 25 |
| 100MJ16 | 16" | 25 |

| 100MJX MJ Transition Accessory Kit - Fits (IPS) PVC & Steel Pipe | | |
|--|------|--------|
| • Includes - STD T-Head Bolts, MJ Gasket & D.I. Gland | | |
| Model Number | | |
| | SIZE | WEIGHT |
| 100MJX2 | 2" | 5 |
| 100MJX3 | 3" | 7 |
| 100MJX4 | 4" | 8 |
| 100MJX6 | 6" | 12 |
| 100MJX8 | 8" | 15 |
| 100MJX10 | 10" | 20 |
| 100MJX12 | 12" | 25 |

| EMKL T-Wrench For 2" Operating Nut | |
|------------------------------------|------|
| Model Number | |
| | SIZE |
| EMKL36 | 36" |
| EMKL60 | 60" |



Wheel Handles & Operating Nuts for Iron Gate Valves



P-2WH



P-WH-U



P-100NB



P-100NL

| Wheel Handles for Iron Gate Valves | | | | | WH |
|---|------------|-----------------|------------|--------------|----|
| Model Number | | | | | |
| | SIZE | FITS MODEL # | SIZE | FITS MODEL # | |
| P-WH-A | 2", 2-1/2" | 10RS/W/T | | | |
| P-WH-B | 3" | 10RS/W/T | 2", 2-1/2" | 100F/S | |
| P-WH-C | 4" | 10RS/W/T | 3" | 100F/S | |
| P-WH-D | 4" | 100F/S | | | |
| P-WH-E | 5", 6" | 10RS/W/T | 5", 6" | 100F/S | |
| P-WH-F | 8" | 10RS/W/T | 8" | 100F/S | |
| P-WH-G | 10" | 10RS/W/T | 10" | 100F | |
| P-WH-H | 12" | 10RS/W/T | 12" | 100F | |
| P-WH-U3 | 2-1/2, 3" | 105U | | | |
| P-WH-U4 | 4" | 105U | | | |
| P-WH-U6 | 6" | 105U | | | |
| P-WH-U8 | 8" | 105U | | | |
| P-WH-U10 | 10" | 105U | | | |
| P-WH-U12 | 12" | 105U | | | |
| P105FA | 2" | 105F/S | 2", 2-1/2" | 12RW | |
| P105FB | 2-1/2" | 105F/S | 3" | 12RW | |
| P105FC | 3" | 105F/S/W | 4" | 12RW | |
| P105FD | 4" | 105F/S/W | 5", 6" | 12RW | |
| P105FE | 5" | 105F/S | | | |
| P105FG | 6" | 105F/S/W | | | |
| P105FH | 8" | 105F/S/W | | | |
| P105FI | 10" | 105F/S/W | | | |
| P105FJ | 12" | 105F/S/W | | | |
| P-2DWH8 | 2" | 200WD/WW/MW | 2" | 100RTW | |
| P-2DWH9 | 2-1/2" | 200WD/WW/MW | 2-1/2" | 100RTW | |
| P-2DWH10 | 3" | 200WD/WW/MW/FJW | 3" | 100RTW | |
| P-2DWH11 | 4" | 200WD/WW/MW/FJW | 4" | 100RTW | |
| P-2DWH13 | 6" & 8" | 200WD/WW/MW/FJW | 6" & 8" | 100RTW | |
| P-2DWH15 | 10" | 200WD/WW/MW/FJW | 10" | 100RTW | |
| P-2DWH16 | 12" | 200WD/WW/MW/FJW | 12" | 100RTW | |
| OLD STYLE HANDWHEELS (200W HANDWHEELS PRE 2008) | | | | | |
| P-2WH10 | 3" | 200W/M/FJ | 3" | 100RT | |
| P-2WH11 | 4" | 200W/M/FJ | 4" | 100RT | |
| P-2WH13 | 6" | 200W/M/FJ | 6" | 100RT | |
| P-2WH14 | 8" | 200W/M/FJ | 8" | 100RT | |
| P-2WH15 | 10" | 200W/M/FJ | 10" | 100RT | |

| 2" Operating Nut for NRS Iron Gate Valves | | | | | OP |
|---|--------------|------------------|------------|--------------|----|
| Model Number | | | | | |
| | SIZE | FITS MODEL # | SIZE | FITS MODEL # | |
| P-100NA | 2", 2-1/2" | 10RS/W/T | | | |
| P-100NB | 3" | 10RS/W/T | 2", 2-1/2" | 100F/S | |
| P-100NC | 4" | 10RS/W/T 200F | 3" | 100F/S | |
| P-100ND | 4" | 100F/S 200F | | | |
| P-100NE | 5", 6" 8" | 10RS/W/T 200F | 5", 6" | 100F/S | |
| P-100NF | 8" 6" | 10RS/W/T 200F | 8" | 100F/S | |
| P-100NG | 10" | 10RW | 10" | 100F | |
| P-100NH | 12" | 10RW | 12" | 100F | |
| P-100NL | 14" | 100W/M/F | | | |
| P-100NM | 16" | 100F | | | |
| P-100NO | 18" | 100F | | | |
| P-100NP | 16" | 100W/M | | | |

| 2" Operating Nut for NRS Iron Gate Valves | | OP |
|---|---------|----|
| Model Number | | |
| | SIZE | |
| P-200DNC | 2" - 4" | |
| P-200DND | 6" - 8" | |
| P-200DNF | 10" | |
| P-200DNG | 12" | |



P-200DNC

Wheel Handles & Operating Nuts for Iron Gate Valves



Butterfly Valve Part # Breakdown

B5-RLO4

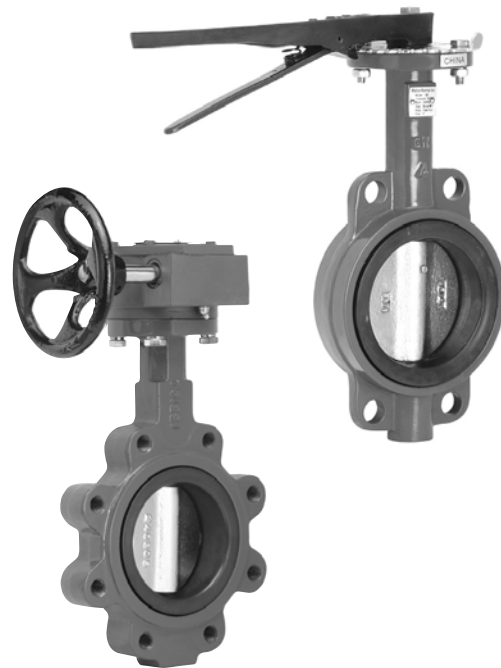
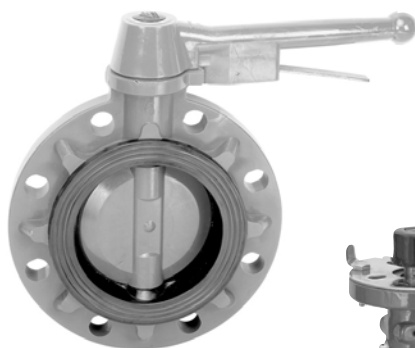


| CHOOSE STYLE |
|--------------|
| B1 |
| B5 |
| B6 |
| B7 |

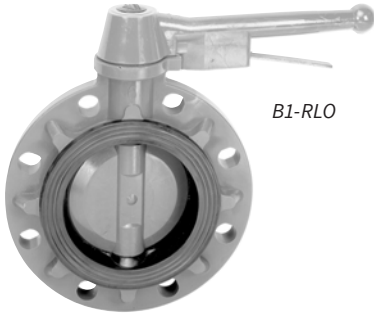
| SELECT STYLE | |
|--------------|-----------------------------|
| RLO | Wafer Style, Lever Operated |
| RWG | Wafer Style, Gear Operated |
| LGL | Lug Style, Lever Operated |
| LGG | Lug Style, Gear Operated |

| PART# | SIZE |
|-------------|--------|
| 2 | 2" |
| 2.5 | 2-1/2" |
| 3 | 3" |
| 4 | 4" |
| 5 | 5" |
| 6 | 6" |
| 8 | 8" |
| 10 | 10" |
| 12 | 12" |
| Through 36" | |

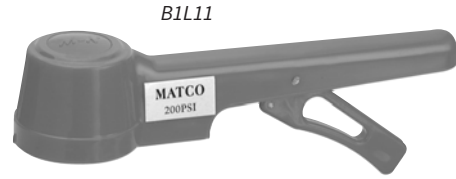
| DISC & LINER | EXAMPLE |
|--|------------|
| - Zinc Coated Ductile Iron Disc - BUNA-N Liner (2" - 12") | B5-RLO4 |
| - Nickel Plated Ductile Iron Disc - BUNA-N Liner (14" - 36") | B5-RLO4 |
| AB Aluminum-Bronze Disc - BUNA-N Liner | B5-RLO4AB |
| ABE Aluminum-Bronze Disc - EPDM Liner | B5-RLO4ABE |
| S 316 Stainless Steel Disc - BUNA-N Liner | B5-RLO4S |
| SE 316 Stainless Steel Disc - EPDM Liner | B5-RLO4SE |



B1 PVC Butterfly Valves & Parts



B1-RLO



B1L11

| PVC Wafer Butterfly Valve | | | B1 |
|--|--------|--------|----|
| <ul style="list-style-type: none"> • 10 Position Lock Lever Operated • 200 PSI | | | |
| Model Number | | | |
| | SIZE | WEIGHT | |
| B1-RLO2 | 2" | 4 | |
| B1-RLO2.5 | 2-1/2" | 4 | |
| B1-RLO3 | 3" | 7 | |
| B1-RLO4 | 4" | 8 | |
| B1-RLO6 | 6" | 11 | |
| <i>Valves Only Available with Stainless Steel Stem, EPDM Liner, Polypropylene Disc.</i> | | | |

| Lever Handle For B1 Butterfly Valve | | B1L |
|--|------|-----|
| <ul style="list-style-type: none"> • Replacement Handles for B1 Butterfly Valve • Square End | | |
| Model Number | | |
| | SIZE | |
| B1L10 | 3" | |
| B1L11 | 4" | |
| B1L13 | 6" | |

NOTES



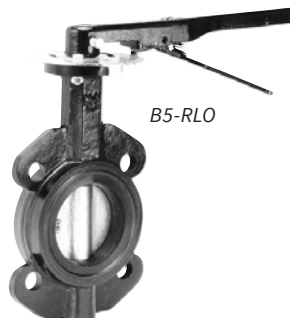
B5 Butterfly Valves | Gear or 10 Position Lock Lever Operated



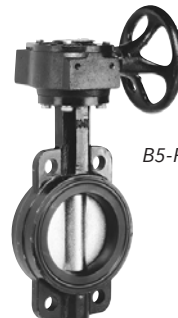
B5-LGL



B5-LGG



B5-RLO



B5-RWG

B5-LGL Ductile Iron Lug Butterfly Valve - Lever Operated

• 200 PSI

| Model Number | | |
|--------------|--------|--------|
| | SIZE | WEIGHT |
| B5-LGL2 | 2" | 10 |
| B5-LGL2.5 | 2-1/2" | 12 |
| B5-LGL3 | 3" | 13 |
| B5-LGL4 | 4" | 20 |
| B5-LGL5 | 5" | 24 |
| B5-LGL6 | 6" | 26 |
| B5-LGL8 | 8" | 45 |
| B5-LGL10 | 10" | 64 |
| B5-LGL12 | 12" | 86 |

B5-RLO Ductile Iron Wafer Butterfly Valve - Lever Operated

• 200 PSI

| Model Number | | |
|--------------|--------|--------|
| | SIZE | WEIGHT |
| B5-RLO2 | 2" | 9 |
| B5-RLO2.5 | 2-1/2" | 11 |
| B5-RLO3 | 3" | 12 |
| B5-RLO4 | 4" | 16 |
| B5-RLO5 | 5" | 19 |
| B5-RLO6 | 6" | 22 |
| B5-RLO8 | 8" | 39 |
| B5-RLO10 | 10" | 55 |
| B5-RLO12 | 12" | 75 |

B5-LGG Lug Butterfly Valve - Gear Operated

• 2" - 12" Ductile Iron - 200 PSI • 14" - 36" Cast Iron - 150 PSI

| Model Number | | |
|--------------|--------|--------|
| | SIZE | WEIGHT |
| B5-LGG2 | 2" | 21 |
| B5-LGG2.5 | 2-1/2" | 21 |
| B5-LGG3 | 3" | 24 |
| B5-LGG4 | 4" | 29 |
| B5-LGG5 | 5" | 33 |
| B5-LGG6 | 6" | 35 |
| B5-LGG8 | 8" | 64 |
| B5-LGG10 | 10" | 83 |
| B5-LGG12 | 12" | 113 |
| B5-LGG14 | 14" | 149 |
| B5-LGG16 | 16" | 244 |
| B5-LGG18 | 18" | 282 |
| B5-LGG20 | 20" | 374 |
| B5-LGG24 | 24" | 662 |
| B5-LGG30 | 30" | 1250 |
| B5-LGG36 | 36" | 2050 |

B5-RWG Wafer Butterfly Valve - Gear Operated

• 2" - 12" Ductile Iron - 200 PSI • 14" - 36" Cast Iron - 150 PSI

| Model Number | | |
|--------------|--------|--------|
| | SIZE | WEIGHT |
| B5-RWG2 | 2" | 18 |
| B5-RWG2.5 | 2-1/2" | 20 |
| B5-RWG3 | 3" | 21 |
| B5-RWG4 | 4" | 24 |
| B5-RWG5 | 5" | 29 |
| B5-RWG6 | 6" | 31 |
| B5-RWG8 | 8" | 59 |
| B5-RWG10 | 10" | 75 |
| B5-RWG12 | 12" | 102 |
| B5-RWG14 | 14" | 125 |
| B5-RWG16 | 16" | 207 |
| B5-RWG18 | 18" | 251 |
| B5-RWG20 | 20" | 349 |
| B5-RWG24 | 24" | 448 |
| B5-RWG30 | 30" | 1155 |
| B5-RWG36 | 36" | 185 |

All Valves Come Standard With Nickel Plated Ductile Iron Disc and BUNA-N Liner;
See Butterfly Valve Part # Breakdown for Other Configurations. Page 60.



B5 Butterfly Valve Parts & Accessories



BSL



B5GRNUT



B5G



B5X



B5IND



B5WH



B5LCH

Lever Handle for B5 Butterfly Valve

B5L

| Model Number | | Model Number | |
|--------------|---------|--------------|-----|
| SIZE | | SIZE | |
| B5L3 | 2" - 3" | B5L8 | 8" |
| B5L4 | 4" | B5L10 | 10" |
| B5L6 | 6" | B5L12 | 12" |

Gear Nut for B5 Butterfly Valve

B5GRNUT

| Model Number | SIZE |
|--------------|----------|
| B5GRNUT6 | 2" - 3" |
| B5GRNUT12 | 8" - 12" |
| B5GRNUT14 | 14" |
| B5GRNUT16 | 16" |
| B5GRNUT18 | 18" |
| B5GRNUT20 | 20" |
| B5GRNUT24 | 24" |

Hand Wheel for B5 Butterfly Valve

B5WH

| Model Number | | Model Number | |
|--------------|----------|--------------|-----|
| SIZE | | SIZE | |
| B5-WH2 | 2" - 3" | B5-WH18 | 18" |
| B5-WH8 | 8" - 12" | B5-WH30 | 30" |
| B5-WH16 | 16" | B5-WH36 | 36" |

Latch Nut for B5 Butterfly Valve

B5LCH

| Model Number | SIZE |
|--------------|---------|
| B5-LCH3 | 2" - 3" |
| B5-LCH4 | 4" |
| B5-LCH6 | 6" |

Index Plate for B5 Butterfly Valve

B5IND

| Model Number | |
|------------------------|----------|
| CHROME PLATED | SIZE |
| B5IND23 | 2" - 3" |
| B5IND810 | 8" - 12" |
| B5IND12 | 14" |
| STAINLESS STEEL PLATED | SIZE |
| B5IND3S | 3" |
| B5IND4S | 4" |
| B5IND6S | 6" |

Gear Nut for B5 Butterfly Valve

B5G

| Model Number | | Model Number | |
|----------------------|-------------|--------------|------|
| WITH HANDWHEEL & PIN | SIZE | | SIZE |
| B5G23 | 2" - 3" | B5G14 | 18" |
| B5G4 | 4" | B5G16 | 30" |
| B5G56 | 5" - 6" | B5G18 | 36" |
| B5G8 | 8" | B5G24 | 30" |
| B5G10 | 06" | | |
| B5G12 | 12" | | |
| B5G12R | 12" Rounded | | |

Stem Extension for B5 Butterfly Valve

B5X

| Model Number | FITS VALVE SIZE | LENGTH OF EXTENTION |
|--------------|-----------------|---------------------|
| B5-X** A | 2" - 3" | 24" |
| B5-X** B | 4" | 36" |
| B5-X** C | 5" - 6" | 48" |
| B5-X** D | 8" | 60" |
| B5-X** E | 10" | 72" |
| B5-X** F | 12" | |
| B5-X** G | 14" | |
| B5-X** H | 16" | |
| B5-X** I | 18" | |
| B5-X** J | 20" | |
| B5-X** K | 24" | |

Example:

B5-X24-A=

24" Extension For
2" - 3" Butterfly Valve

**Place Holder For Length of Extension. Flat & Round Extensions Also Available.



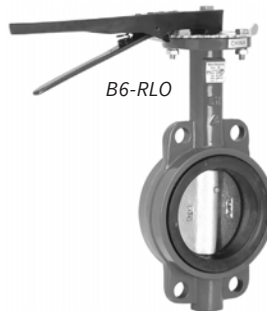
B6 Butterfly Valves | Gear or 10 Position Lock Lever Operated



B6-LGG



B6-LGL



B6-RLO



B6-RWG

B6-LGG Cast Iron Lug Butterfly Valve - Gear Operated

• 200 PSI

| Model Number | | |
|--------------|--------|--------|
| | SIZE | WEIGHT |
| B6-LGG2 | 2" | 20 |
| B6-LGG2.5 | 2-1/2" | 21 |
| B6-LGG3 | 3" | 22 |
| B6-LGG4 | 4" | 31 |
| B6-LGG5 | 5" | 36 |
| B6-LGG6 | 6" | 43 |
| B6-LGG8 | 8" | 63 |
| B6-LGG10 | 10" | 83 |
| B6-LGG12 | 12" | 113 |

B6-RLO Cast Iron Wafer Butterfly Valve - Lever Operated

• 200 PSI

| Model Number | | |
|--------------|--------|--------|
| | SIZE | WEIGHT |
| B6-RLO2 | 2" | 7 |
| B6-RLO2.5 | 2-1/2" | 9 |
| B6-RLO3 | 3" | 10 |
| B6-RLO4 | 4" | 13 |
| B6-RLO5 | 5" | 17 |
| B6-RLO6 | 6" | 19 |
| B6-RLO8 | 8" | 31 |
| B6-RLO10 | 10" | 45 |
| B6-RLO12 | 12" | 74 |

B6-LGL Cast Iron Lug Butterfly Valve - Lever Operated

• 200 PSI

| Model Number | | |
|--------------|--------|--------|
| | SIZE | WEIGHT |
| B6-LGL2 | 2" | 10 |
| B6-LGL2.5 | 2-1/2" | 11 |
| B6-LGL3 | 3" | 13 |
| B6-LGL4 | 4" | 22 |
| B6-LGL5 | 5" | 16 |
| B6-LGL6 | 6" | 33 |
| B6-LGL8 | 8" | 42 |
| B6-LGL10 | 10" | 63 |
| B6-LGL12 | 12" | 92 |

B6-RWG Cast Iron Wafer Butterfly Valve - Gear Operated

• 200 PSI

| Model Number | | |
|--------------|--------|--------|
| | SIZE | WEIGHT |
| B6-RWG2 | 2" | 17 |
| B6-RWG2.5 | 2-1/2" | 18 |
| B6-RWG3 | 3" | 19 |
| B6-RWG4 | 4" | 22 |
| B6-RWG5 | 5" | 27 |
| B6-RWG6 | 6" | 29 |
| B6-RWG8 | 8" | 55 |
| B6-RWG10 | 10" | 68 |
| B6-RWG12 | 12" | 101 |

Valves Only Come With Stainless Steel Stem, BUNA-N Seat, Nickel Plated Ductile Iron Disc.



B6 Butterfly Valve & Parts / B7 Butterfly Valve



B6-TLO



B6L



B6G



B6IND



B7-RLO

Cast Iron Nickel Plated Butterfly Valve

B6

• 200 PSI

| Model Number | | |
|--------------|------|--------|
| | SIZE | WEIGHT |
| B6-TLO4AB | 4" | 20 |

Gear for B6 Butterfly Valve

B6G

• With Handwheel & Pin

| Model Number | |
|--------------|---------|
| | SIZE |
| B6G23 | 2" - 3" |
| B6G4 | 4" |
| B6G56 | 5" - 6" |
| B6G8 | 8" |
| B6G10 | 10" |
| B6G12 | 12" |

Index Plate for B6 Butterfly Valve

B6IND

| Model Number | |
|--------------|----------|
| | SIZE |
| B6IND26 | 2" - 6" |
| B6IND812 | 8" - 12" |

Lever Handle for B6 Butterfly Valve

B6L

| Model Number | |
|--------------|---------|
| | SIZE |
| B6L3 | 2" - 3" |
| B6L4 | 4" |
| B6L6 | 6" |
| B6L8 | 8" |
| B6L10 | 10" |
| B6L12 | 12" |

Cast Iron Wafer Butterfly Valve - Double Stem - Short Neck

B7

• 200 PSI

| Model Number | | |
|--------------|--------|--------|
| | SIZE | WEIGHT |
| B7-RLO2 | 2" | 8 |
| B7-RLO2.5 | 2-1/2" | 10 |
| B7-RLO3 | 3" | 11 |
| B7-RLO4 | 4" | 15 |
| B7-RLO5 | 5" | 20 |
| B7-RLO6 | 6" | 22 |
| B7-RLO8 | 8" | 36 |
| B7-RLO10 | 10" | 51 |
| B7-RLO12 | 12" | 71 |

Valves Only Available with Stainless Steel Stem, EPDM Liner, Polypropylene Disc.

B6 Butterfly Valve & Parts / B7 Butterfly Valve



Terms & Conditions of Sale

ACCEPTANCE

Orders, whether verbal or written, are subject to acceptance by Matco-Norca, Inc. Hereinafter referred to as the seller at its Brewster, N.Y. office. No terms or conditions of buyers order contrary to seller's terms and conditions shall be binding upon seller unless specifically agreed upon by seller in writing. Sellers acceptance of orders shall occur by written acknowledgement or tender of delivery of goods and or services the subject hereof (goods), which ever occurs first.

PRICES AND SALES POLICY

Until written confirmation of this contract has been received by buyer, all prices are subject to change without prior notice. We reserve the right to adjust orders to standard package quantities unless otherwise stated on buyers purchase order. We reserve the right to make product improvement without notice. If seller determines buyer's credit is unsatisfactory or there is reasonable doubt concerning buyer's ability to pay, payment in advance may be required or buyer shall provide security for such payment in an amount and form acceptable to seller. Unless otherwise specified by seller, terms are 2% 10 days/net 30 days.

Cash discounts apply to the value of goods at the net invoiced value before transportation charges, taxes and additional duties. Unearned cash discounts will be charged back as an unpaid balance to the buyers account. Any past due amount is subject to a finance charge of 1-1/2% per month (18% per year) on the total past due balance in accordance with the Truth-in-Lending Act in Title 1 of the Federal Consumer Protection Act effective July 1, 1969.

TAXES

All prices are exclusive of taxes and excises. Sales, use and other taxes, by whomsoever levied, are to be paid by the buyer and unless invoiced, are to be paid by buyer direct to the appropriate governmental agency. Buyers are required to furnish seller with a copy of their tax exemption of resale certificate, otherwise applicable state sales taxes will be charged.

DELIVERY AND SHIPMENT OF MATERIALS

All goods are sold F.O.B. sellers warehouse. Delivery of material to a common carrier shall constitute delivery thereof to buyer and risk of loss shall pass to buyer at such time. Claims for damage to or loss of material in transit shall be filed by buyer direct with carrier. Buyer assumes all risks and liability for the results obtained by the use of material delivered hereunder. No claim of any kind, whether as to material delivered or for nondelivery or late delivery of material and whether based on negligence or otherwise, shall be greater in amount than the purchase price of the material in respect to which such claim is made. In no event shall seller be liable for indirect or consequential damages or for anticipated profits or loss of use of equipment.

RETURNS AND CANCELLATIONS

Permission in writing and return authorization must be obtained from seller before any goods are returned. All returns must be prepaid, no collect shipments will be accepted. All returns made for reasons other than defects are subject to a restocking charge. Discontinued goods are not returnable.

Cancellation of orders may be made only with the sellers written consent and shall be subject to cancellation charges.

GOVERNING LAW

The entering into, construction, interpretation, performance and discharge of the terms set forth herewith shall be governed in accordance with the laws of the State of New York.

LIMITED ONE YEAR WARRANTY

Seller warrants the material to be free of defects in material and work-manship, under normal use, proper maintenance and proper operation, for a period of one year from date of delivery to a common carrier for shipment to buyer or his designated agent. The obligation of the seller is limited to (1) repair of the material, or (2) replacement of any component or components proven defective in material or workmanship, or (3) refund of the purchase price. Seller shall have no liability for the cost of removal or reinstallation with respect to any replaced or repaired product. The election of said remedies shall be determined by seller in its sole discretion and shall be considered final disposition.

All implied warranties, including the implied warranties of merchantability and fitness for a particular purpose, are hereby disclaimed and excluded. This warranty is in lieu of all other warranties, guarantees, agreements and similar obligations or seller, in no event shall seller be liable for consequential or incidental damages.

CLAIMS

No later than ten (10) days from receipt of material buyer will report, in writing, all claims for any damage, defects or shortages. All claims, including for alleged damaged or defective material, shortage negligence or any other cause whatsoever "(defective performance)", shall deemed waived unless made in writing within the ten (10) day period. However, any defective performance not discoverable within said ten (10) day period (including that discoverable only in processing or in further manufacturing) shall be deemed waived unless made in writing and received by seller in writing within ninety (90) days after receipt or within ten (10) days after buyer learns of the alleged defect, whichever occurs first. Seller's liability shall in no event exceed the purchase price of the material in respect to which the claim is made, or at the election of seller at its sole discretion, and to repair or replacement of such material. Seller shall not be liable for, and buyer assumes all responsibility for, all personal injury and property damage resulting from handling, possession, use or resale of the material by buyer. In no event shall seller be liable for incidental or consequential damages, whether buyer's claim is in contract, negligence, or otherwise. If claim is made, buyer shall permit seller at seller's option to re-inspect the material at buyer's plant or if seller so directs, buyer shall return the material at buyer's expense to seller's facility for re-inspection. No material may be returned to seller without prior written permission from seller.

FORCE MAJEURE

Anything in this agreement to the contrary notwithstanding, it is expressly agreed that seller shall not be liable for any damages resulting from, and buyer shall not have the right to cancel this order because of any delays caused in whole or in part by fires, floods, windstorms, tornadoes, wars, riots, insurrections, strikes, lockouts sit-downs, slow-downs, or other labor trouble, causing cessation or interruption of operation or by accident, material shortages, labor or fuel shortages, or inability to procure labor or materials, either on the part of the seller, or because any plant, plants or any portion thereof belonging to seller have been commandeered by the legally constituted public authority, or because of any priorities or preferences established for the manufacture, assembly or allotment of materials by order, decree, or to otherwise of the united states, or by any department, bureau, commission, committee, agent or administrator of any legally constituted public authority in any plant of seller, or any of its suppliers, or resulting from any other cause beyond the control of seller.



| ITEM NUMER | PAGE NUMBER |
|------------|-------------|
| 10 | |
| 10RS | 47 |
| 10RT | 47 |
| 10RW | 47 |
| 15SSTH | 36 |
| 20 | |
| 20CSFLD | 38 |
| 20SSFLD | 38 |
| 20SSTH | 36 |
| 25CSTH | 36 |
| 25LF | 32 |
| 25SSTH | 36 |
| 26CSTHM | 36 |
| 26LF | 32, 33 |
| 26SSTHM | 36 |
| 29LF | 30, 31 |
| 30 | |
| 30CSSW | 37 |
| 30CSTH | 37 |
| 30SSSW | 38 |
| 30SSTH | 38 |
| 40 | |
| 40SSTH | 43 |
| 50 | |
| 50SSTH | 43 |
| 58 | 11 |
| 58LGAF | 10 |
| 58LGAN | 10 |
| 58LGFF | 10 |
| 59 | 35 |
| 59LGA | 10 |
| 59LGAF | 10 |
| 59LGFF | 10 |
| 60 | |
| 60SSTH | 43 |
| 70 | |
| 70SSTH | 43 |
| 100 | |
| 100F | 48 |
| 100MJ | 58 |
| 100MJX | 58 |
| 100S | 48 |
| 105F | 48 |
| 105U | 50 |
| 105W | 50 |
| 115F | 52 |
| 115S | 52 |
| 120F | 52 |
| 120S | 52 |
| 120U | 53 |
| 120W | 53 |
| 120WC | 53 |
| 130M | 51 |
| 130W | 51 |
| 140EF | 55 |
| 140F | 55 |
| 140S | 55 |
| 145 | 16 |
| 146LF | 16 |
| 150F | 49 |
| 200 | |
| 200AL | 9 |
| 200F | 49 |
| 200L | 9 |
| 200LF | 9 |
| 200MW | 46 |
| 200RTD | 46 |

| ITEM NUMER | PAGE NUMBER |
|------------|-------------|
| 200WD | 46 |
| 200WW | 46 |
| 201 | 21 |
| 201A | 21 |
| 201CMLF | 21 |
| 202CMLF | 21 |
| 202LF | 21 |
| 203 | 26 |
| 204 | 20 |
| 205 | 20 |
| 205CM | 20 |
| 205F | 20, 49 |
| 205U | 50 |
| 205UCNY | 50 |
| 205WH | 29 |
| 206 | 26 |
| 206FLF | 26 |
| 206H | 26 |
| 206VB | 26 |
| 207 | 24 |
| 209 | 27 |
| 209PX | 27 |
| 212 | 27 |
| 212PX | 27 |
| 212PXCELLF | 27 |
| 214LF | 20 |
| 225 | 45 |
| 225FJ | 45 |
| 225FP | 45 |
| 225M | 44 |
| 225MP | 44 |
| 225MR | 44 |
| 225RT | 45 |
| 225TV | 45 |
| 225W | 44 |
| 225WP | 44 |
| 240H | 9 |
| 240T | 9 |
| 300 | |
| 300BV | 7 |
| 400 | |
| 400CSF | 42 |
| 405CSF | 42 |
| 422CSF | 42 |
| 434LF | 34 |
| 500 | |
| 500FCT | 39 |
| 500FCW | 39 |
| 500FSST | 39 |
| 500FSSW | 39 |
| 501 | 15 |
| 503 | 15 |
| 505FCT | 40 |
| 505FCW | 40 |
| 505FSST | 40 |
| 505FSSW | 40 |
| 511 | 15 |
| 512 | 15 |
| 513 | 15 |
| 514 | 14 |
| 517 | 14 |
| 519 | 14 |
| 519TP | 14 |
| 520FCT | 41 |
| 520FCW | 41 |
| 521 | 17 |
| 521N | 17 |
| 522FCT | 41 |
| 522FCW | 41 |
| 522FSST | 41 |

| ITEM NUMER | PAGE NUMBER |
|--------------|-------------|
| 522FSSW | 41 |
| 523 | 18 |
| 525 | 18 |
| 527LF | 18 |
| 529 | 18 |
| 530 | 17 |
| 532 | 17 |
| 600 | |
| 646AS | 19 |
| 646BV | 24 |
| 646R | 24 |
| 700 | |
| 720QLF | 6 |
| 730 | 15 |
| 750LF | 6 |
| 752CMLPF | 7 |
| 752N | 7 |
| 752UF | 7 |
| 754DLF | 8 |
| 754N | 7 |
| 754PXCELLF | 8 |
| 754PXLF | 8 |
| 755 | 6 |
| 755MF | 8 |
| 757 | 4 |
| 759 | 4 |
| 759LHLF | 4, 37 |
| 759MF | 4 |
| 759PDLF | 5 |
| 759PFLF | 5 |
| 759PLF | 5 |
| 759PMLF | 5 |
| 759PPXCELLF | 5 |
| 759PPXLF | 5 |
| 759SDS | 35 |
| 760 | 7 |
| 770 | 12 |
| 770G | 12 |
| 770N | 12 |
| 771 | 13 |
| 772 | 13 |
| 772ST | 13 |
| 773 | 13 |
| A | |
| ADJ | 29 |
| AHV | 29 |
| AVA | 29 |
| AVS | 29 |
| AZ203 | 22 |
| AZ205 | 22 |
| AZ206 | 22 |
| AZ206/LK | 22 |
| AZ206/VB | 22 |
| AZ206PXCELLF | 22 |
| AZ206PXLF | 22 |
| AZ207 | 23 |
| AZ212LF | 23 |
| AZ212PXCELLF | 23 |
| AZ212PXLF | 23 |
| AZ646R | 23 |
| B | |
| B1 | 61 |
| B1L | 61 |
| B5-LGG | 62 |
| B5-LGL | 62 |
| B5-RLO | 62 |
| B5-RWG | 62 |
| B5G | 63 |
| B5GRNUT | 63 |
| B5IND | 63 |

| ITEM NUMER | PAGE NUMBER |
|------------|-------------|
| B5L | 63 |
| B5LCH | 63 |
| B5WH | 63 |
| B5X | 63 |
| B6 | 65 |
| B6-LGG | 64 |
| B6-LGL | 64 |
| B6-RLO | 64 |
| B6-RWG | 64 |
| B6G | 65 |
| B6IND | 65 |
| B6L | 65 |
| B7 | 65 |
| BARV | 28 |
| BARVY | 28 |
| BARVYN | 28 |
| BCV | 29 |
| BDVLF | 19 |
| BFFPLF | 19 |
| BSGV | 28 |
| C | |
| CIBF | 56 |
| CICF | 56 |
| CIF | 35 |
| CIRF | 56 |
| CK | 29 |
| CVC | 54 |
| D | |
| DCVLF | 19 |
| E | |
| EFV | 34 |
| EMKL | 58 |
| F | |
| FR | 34 |
| FV | 34 |
| FY | 25 |
| G | |
| GFF | 57 |
| GFFNA | 57 |
| GNA | 57 |
| GNAX | 57 |
| GSFF | 57 |
| GSNA | 57 |
| GSNAFF | 57 |
| GSNAX | 57 |
| H | |
| HAV | 29 |
| K | |
| KEY | 29 |
| N | |
| NT | 28 |
| O | |
| OP | 59 |
| OTV | 35 |
| P | |
| PVCF | 56 |
| S | |
| SBG | 57 |
| SC | 54 |
| SGV | 28 |
| T | |
| TWHK | 35 |
| W | |
| WH | 59 |



mail@matco-norca.com
www.MATCO-NORCA.com



Global sourcing. National compliance. Local service.

CALIFORNIA

5595 Fresca Dr.,
La Palma, CA 90623
Toll Free: 866-532-8306
Fax: 866-532-8307

TEXAS

1150 Silber Rd.,
Houston TX 77055
Toll Free: 800-935-5456
Fax: 713-680-2999

ILLINOIS

278 Windy Point Dr.,
Glendale Heights, IL 60139
Toll Free: 844-412-5068
Fax: 800-640-2252

GEORGIA

113 Industrial Blvd.,
Americus, GA 31709
Toll Free: 800-433-7526
Fax: 800-533-5134

NEW YORK

PO Box 27, R.22,
Brewster NY 10509
Toll Free: 800-431-2082
Fax: 845-278-9056